

Notes:

- Do not scale drawing.
- Right hand door shown.
- Dimensions are in inches. See conversion chart metric dimensions.

inches	mm.	inches	mm.
1/2	13	3-7/8	98.54
1	25	5-15/16	150.8
1-3/4	44.5	8-1/2	216
2-3/4	70		

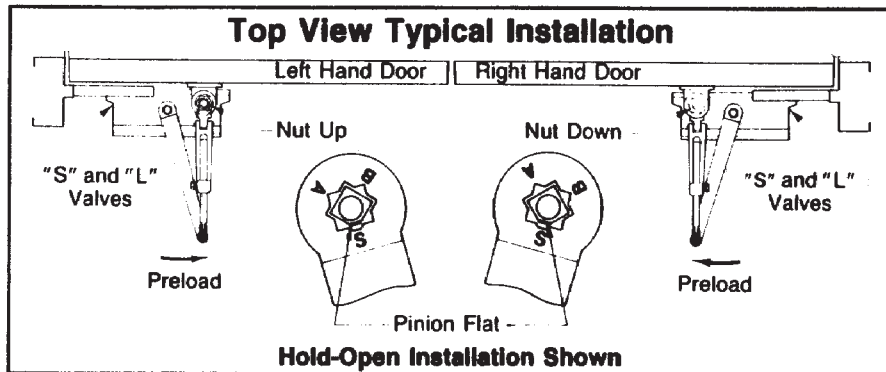
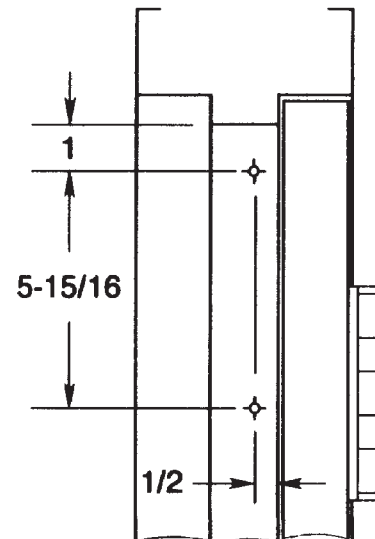
Door swing may be limited by door, frame, wall or hardware conditions.

Hollow-metal doors require channel or box-type reinforcement when thru-bolt mount is specified.

Sex bolts may be required for wood or plastic faced fire-door mounting.

Minimum thickness recommended for reinforcements in hollow-metal doors and frames: .1046" (2.66mm.) unless otherwise noted.

Hold Open arm closers without fusible-link release are not permitted to be used on fire doors.



Fastener	Door or Frame	Drill
#14 type "A" sheet metal screw	wood	7/32" (5.5mm)
1/4-20 machine screw	metal	#7 (.201 dia.) or 5.10mm. drill 1/4"20 tap
SNB (optional)	hollow-metal	9/32" (7.00mm.) thru 3/8" (9.50mm.) door face opposite to closer
	aluminum or wood	3/8" (9.50mm.) thru
TBGN (optional)	all	9/32" (7.00mm.) thru 3/8" (9.50mm.) diameter x 3/8" (10mm.) deep, door face opposite to closer

1600 or 1600H Series Door Closers
 Corner Bracket Application With 1647 Corner Bracket
 Non Hold Open or Hold Open Arm
 Individually Sized Units 3 and 4 & Multi-size Unit 1-6



ASSA ABLOY

www.nortondoorcontrols.com

TEMPLATE NUMBER

7316-1149

REV

2