

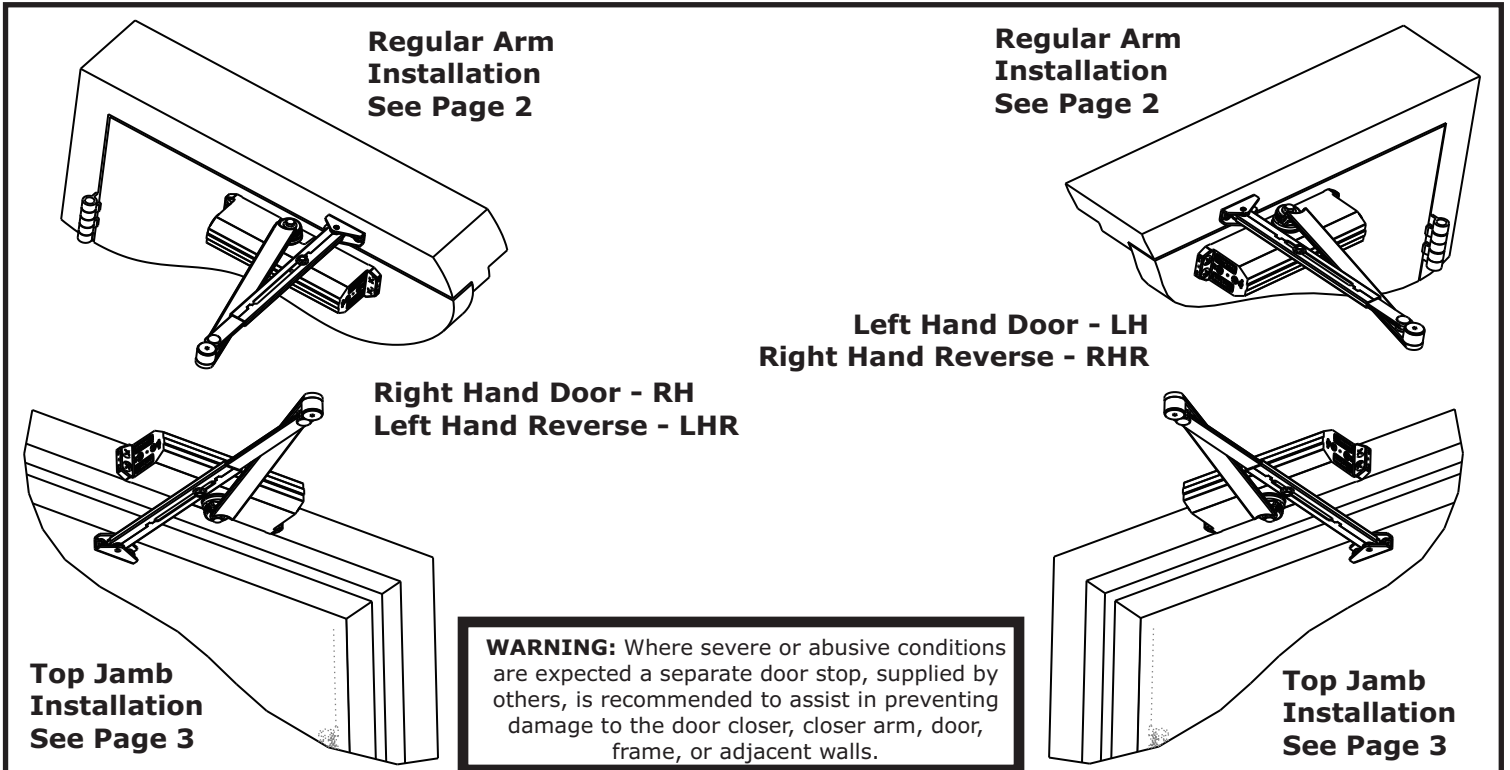
**Model Numbers Included:**

Multi Size Closer  
CA1601

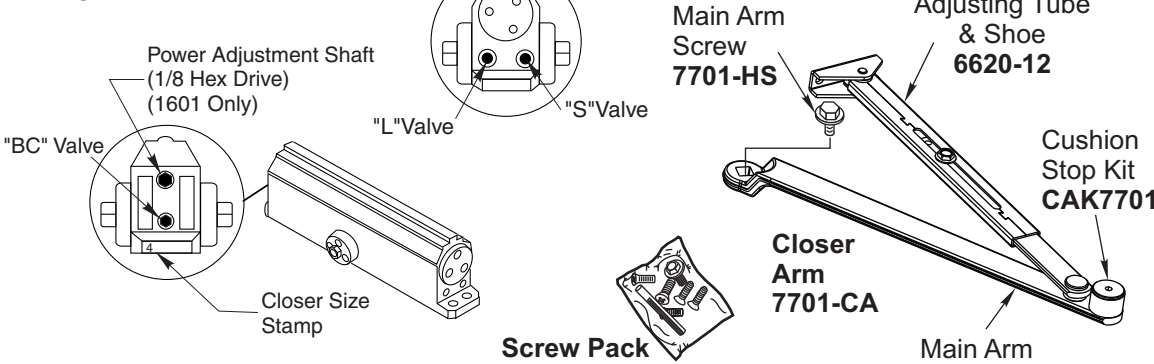
Sized Closer  
CA160XBC

Note: "X" is Sized Closer number designates power size of closer 3 or 4.

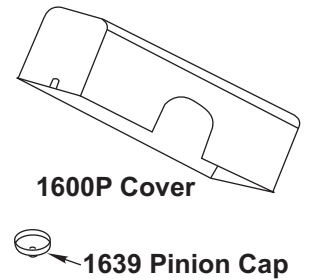
**CAUTION** An incorrectly installed or improperly adjusted door closer can cause property damage or personal injury. These instructions should be followed to avoid the possibility of misapplication or misadjustment. **CAUTION**



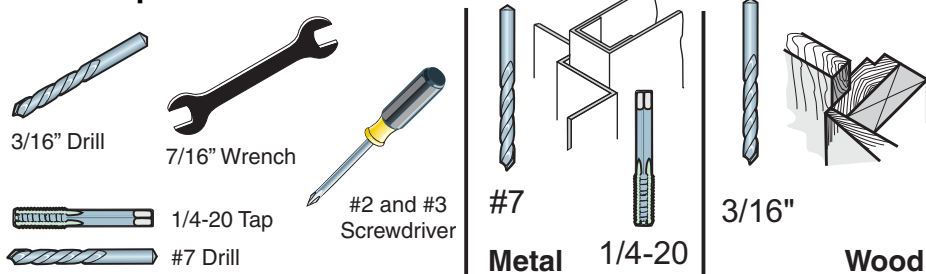
### Components



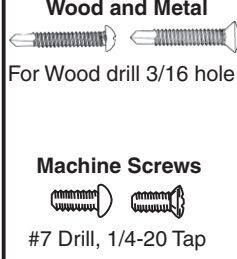
### Cover Options



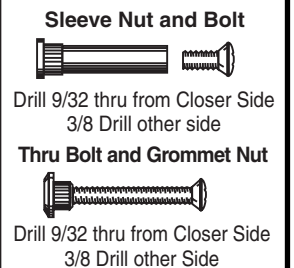
### Tools Required



### Self Drilling Screws Wood and Metal



### (Optional)

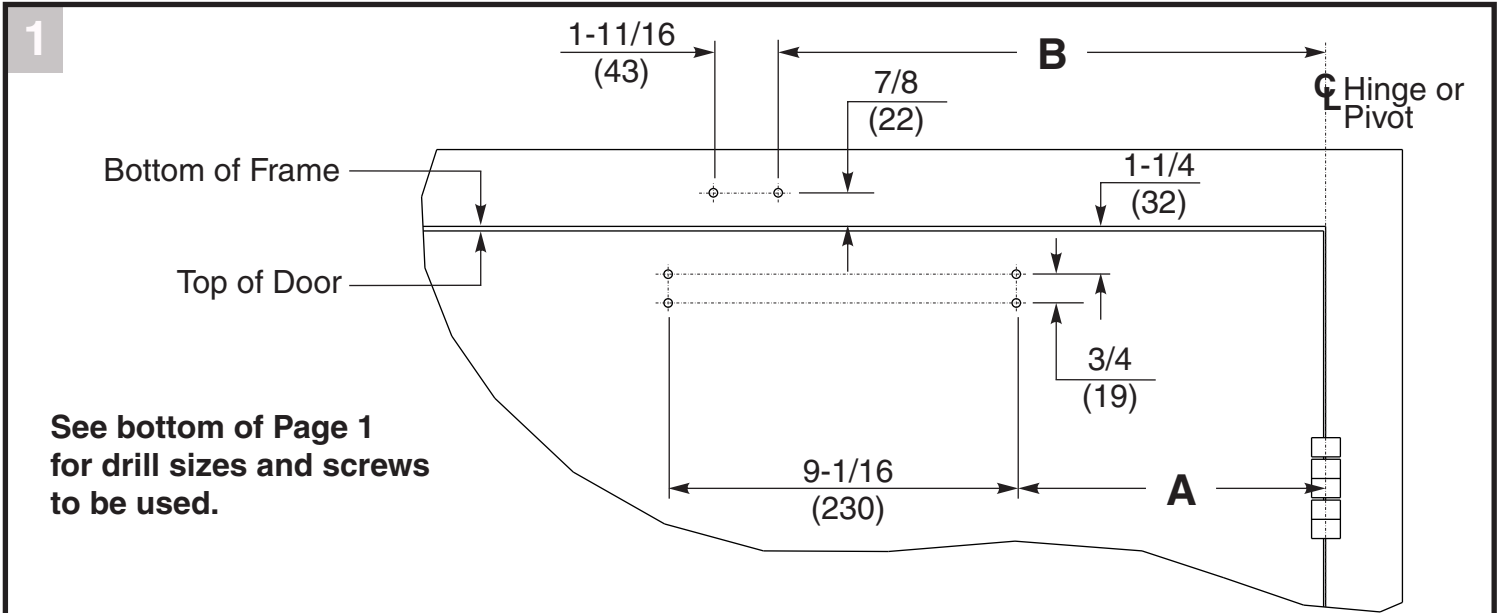


# CA1600 Series

Cushion Stop Arm Door Closers — Regular Mount

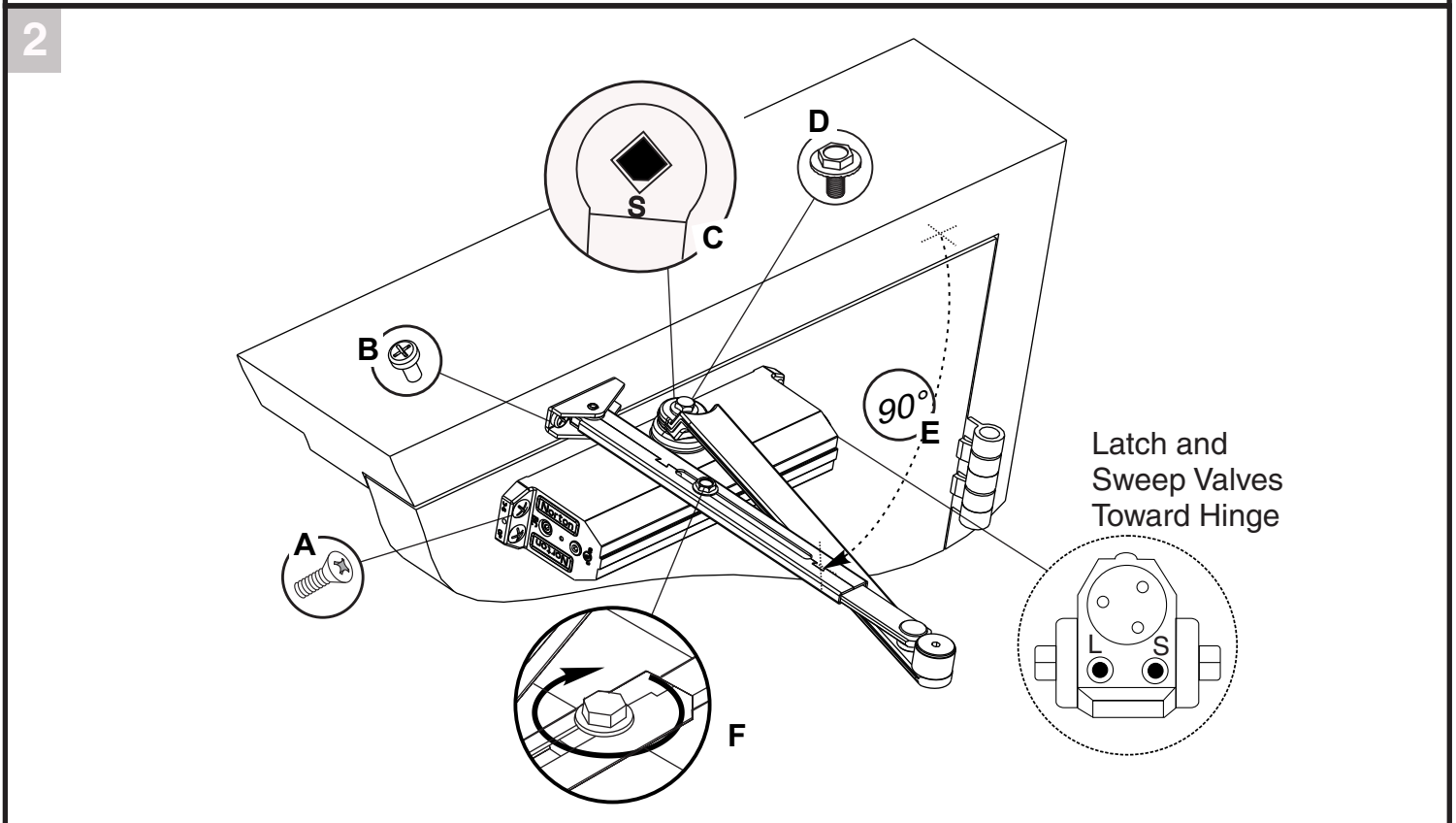
**Norton®**

**ASSA ABLOY**



		Installation Dimensions Chart						
Dim		Up to 85°	85°-90°	90°-95°	95°-100°	100°-105°	105°-110°	
CA1601/ CA160XBC	A in. (mm)	8-3/4 (222)	8-1/4 (210)	7-3/4 (197)	7-1/4 (184)	6-3/4 (171)	6-3/8 (162)	
	B in. (mm)	14-3/4 (375)	14-1/4 (362)	13-3/4 (349)	13-1/4 (337)	12-3/4 (324)	12-3/8 (314)	

*Left Hand Door Shown*



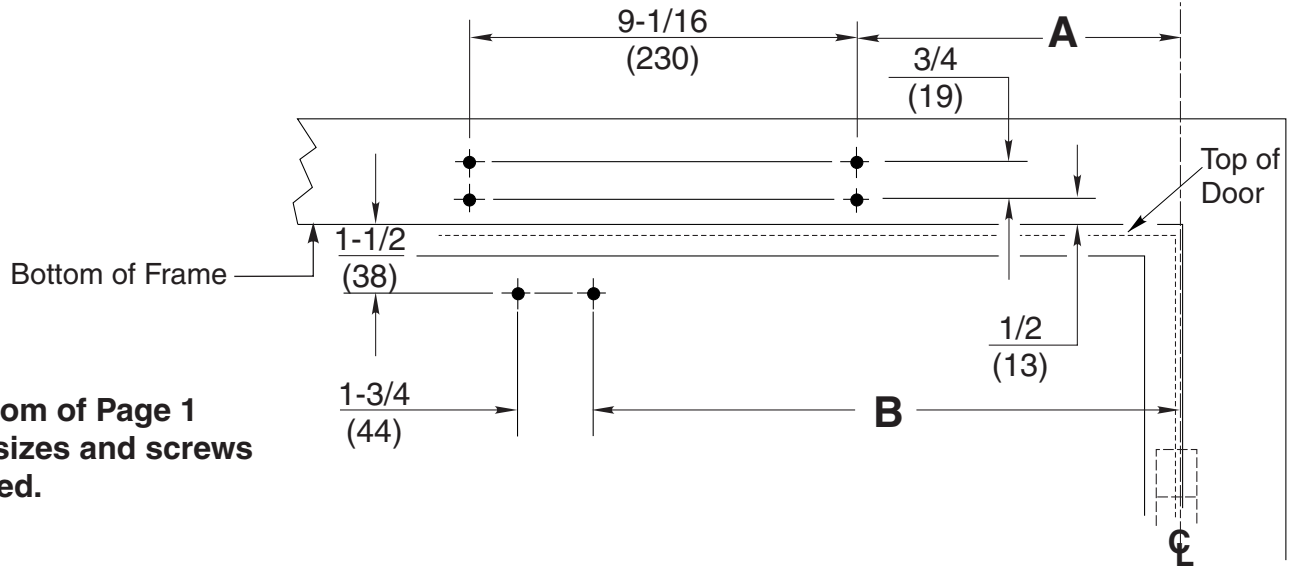
# CA1600 Series

Cushion Stop Arm Door Closers — Top Jamb Mount

**Norton®**

**ASSA ABLOY**

3

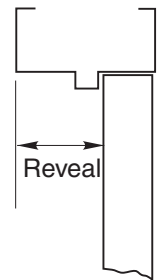


See bottom of Page 1 for drill sizes and screws to be used.

Installation Dimensions Chart

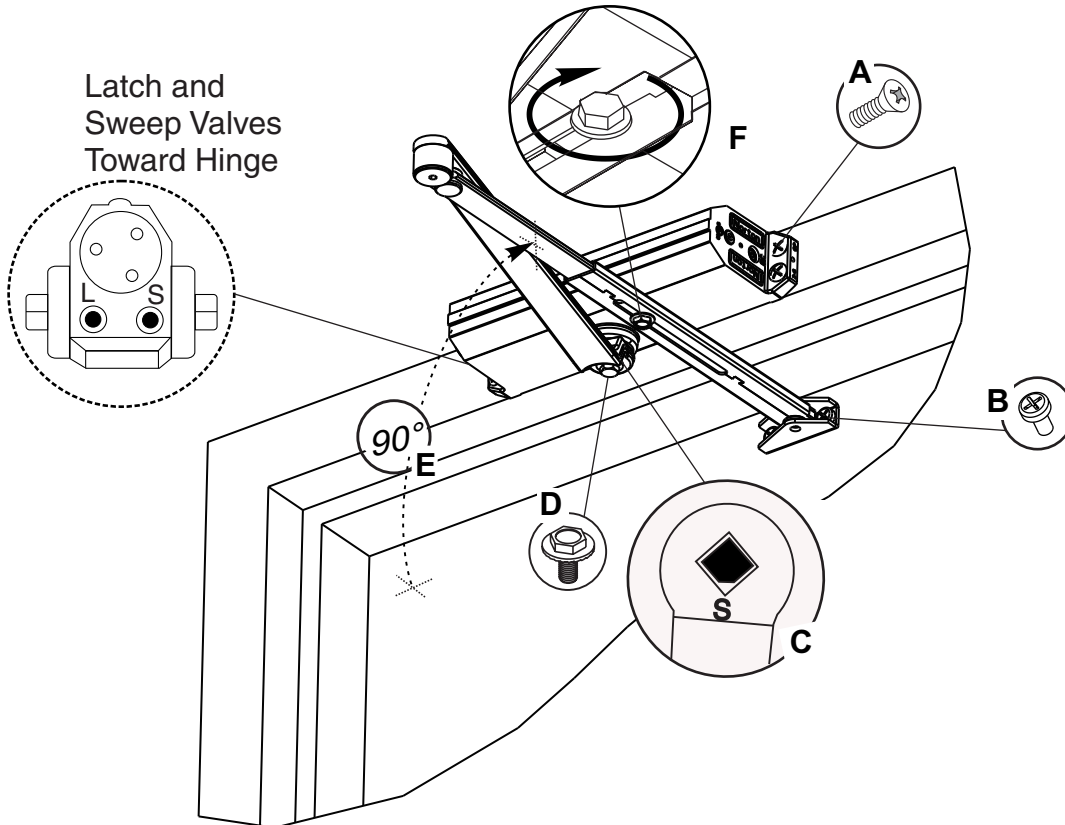
	Dim	Up to 85°	85°-90°	90°-95°	95°-100°	100°-105°	105°-110°
CA1601/ CA160XBC	A in. (mm)	8-1/8 (206)	7-5/8 (194)	7 (178)	6-1/2 (165)	6 (152)	5-1/2 (140)
	B in. (mm)	14-1/4 (362)	13-3/4 (349)	12-7/8 (327)	12-3/8 (314)	11-7/8 (302)	11-5/8 (295)

Right Hand Door Shown



Mounting allows for a reveal of 0" (0) - 3" (76)

4



# 1600 Series Adjustments

**5 Sweep**

Slower -  
Faster +

**Latch**

Slower -  
Faster +

**Backcheck**

Stronger +  
Weaker -

**Caution: Do not completely close valve.**

(Use 1/8" Hex Wrench for these Adjustments)

## 6 Spring Power Adjust 1601 only

Stronger +  
Weaker -

(Use 1/8" Hex Wrench for this Adjustment)

Adjustment Chart				Number of Turns Required				
DOOR	TYPE OF INST.	*	MAXIMUM DOOR SIZE					
			34" (0.85M)	36" (0.90M)	40" (1.00M)	44" (1.10M)	48" (1.20M)	
CA1601	INT	Regular Arm Top Jamb	2	4	6	10	12	
	EXT	Regular Arm Top Jamb	3	5	8	11	14	

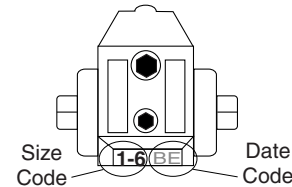
\*30 FULL (360°) TURNS MAXIMUM AVAILABLE  
 = 8 Turns As Shipped

**7**

Stud  
Cushion  
Screw

Use (2) 3/16" Allen wrenches to secure stud to screw.

### To identify your model:



**Size Model**  
**1-6=1601**  
**3=1603BC**  
**4=1604BC**

**8**

**Regular Mount**

**Top Jamb Mount**

Screw pinion cap onto pinion shaft by hand or with a Phillips screw driver - Do Not Over Tighten.

**Norton®**  
**ASSA ABLOY**

3000 Highway 74 East • Monroe, NC 28112  
 Tel: (800)-438-1951 ext. 6030  
[www.nortondoорcontrols.com](http://www.nortondoорcontrols.com)  
 support.aadcg@assaabloy.com