

Opening	Dim. A
To 100°	8
100° to 120°	6-1/2
Over 120°	4

inches	mm.	inches	mm.
1/2	12.7	4	105
7/8	22	5-1/2	140
1-1/2	38.1	6-1/2	165
1-3/4	44.5	7	177.8
2-1/4	57	8	203

Notes:

- Do not scale drawing.
- Left hand door shown.
- Dimensions are in inches. See conversion chart for metric dimensions.

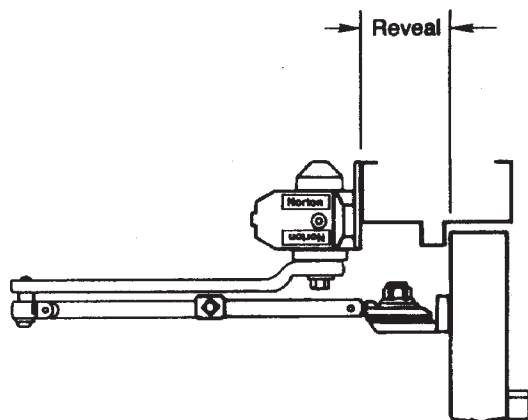
Door swing may be limited by door, frame, wall or hardware conditions.

Hollow-metal doors require channel or box-type reinforcement when thru-bolt mount is specified.

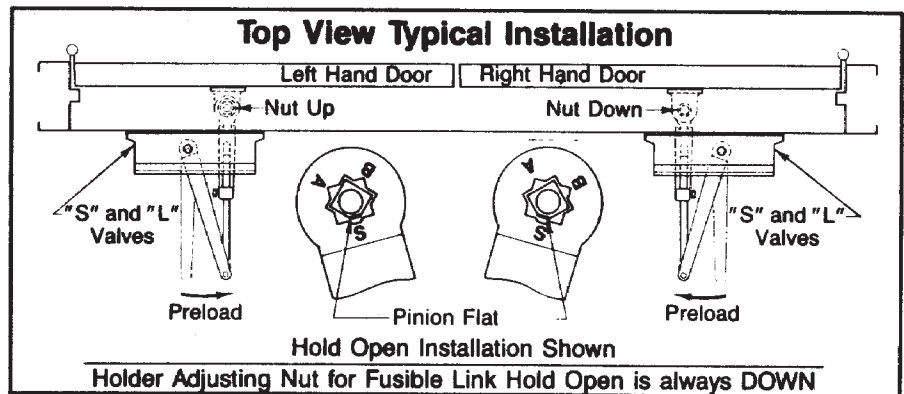
Hold Open Arm door closers without Fusible-link release are not permitted to be used on fire doors.

Sex-bolts may be required for wood or plastic faced fire door mounting.

Minimum thickness recommended for reinforcements in hollow-metal doors and frames: .1046" (2.66mm.) unless otherwise noted.



REVEAL inches/(mm.)	CLOSER SERIES
0 to 3 (0 to 76)	1600
3 to 7 (76 to 178)	J1600
0 to 2-1/4 (0 to 57)	1600H 1600HFL
2-1/4 to 5 (57 to 127)	J1600H J1600HFL



Fastener	Door or Frame	Drill
#14 type "A" sheet metal screw	wood	7/32" (5.5mm)
1/4-20 machine screw	metal	#7 (.201 dia.) or 5.10mm. drill 1/4"-20 tap
SNB (optional)	hollow-metal	9/32" (7.00mm.) thru 3/8" (9.50mm.) door face opposite to closer
	aluminum or wood	3/8" (9.50mm.) thru
TBGN (optional)	all	9/32" (7.00mm.) thru 3/8" (9.50mm.) diameter x 3/8" (10mm.) deep, door face opposite to closer

(J)1600 and (J)1600H Series Door Closers
 Top Jamb Application With 1687 Drop Plate
 Non Hold Open or Hold Open Arm
 Individually Sized Units 3 and 4 & Multi-size Unit 1-6



ASSA ABLOY

www.nortondoorcontrols.com

TEMPLATE NUMBER	REV
7316-1158	2