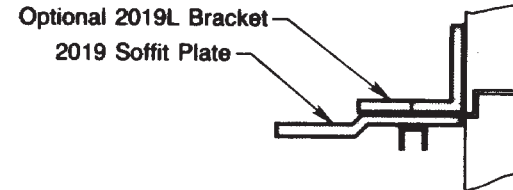
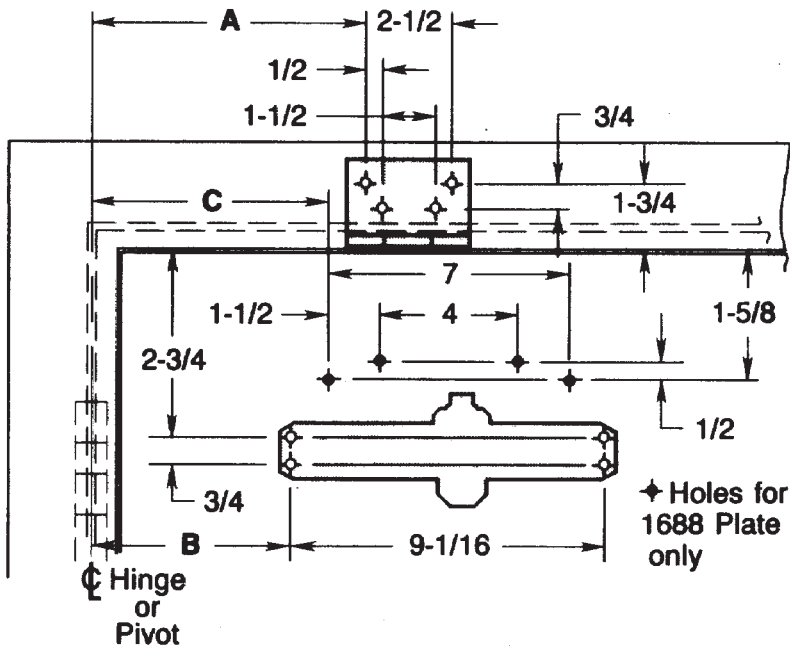


Opening	Dim. A	Dim. B	Dim. C
To 100°	9-3/4	7-5/8	8-5/8
100° to 130°	8-1/4	6-1/8	7-1/8
Over 130°	6-1/4	4-1/8	5-1/8

inches	mm.	inches	mm.	inches	mm.
1/2	12.7	2-3/4	69.9	7-1/8	181
3/4	19.1	4	101.6	7-5/8	194
1-1/2	38.1	4-1/8	105	8-1/4	210
1-5/8	41	5-1/8	130	8-5/8	219
1-3/4	44	6-1/8	156	9-1/16	230.2
2-1/2	63.5	6-1/4	159	9-3/4	248
		7	177.8		



**Notes:**

- Do not scale drawing.
- Left hand door shown.
- Dimensions are in inches. See conversion chart for metric dimensions.

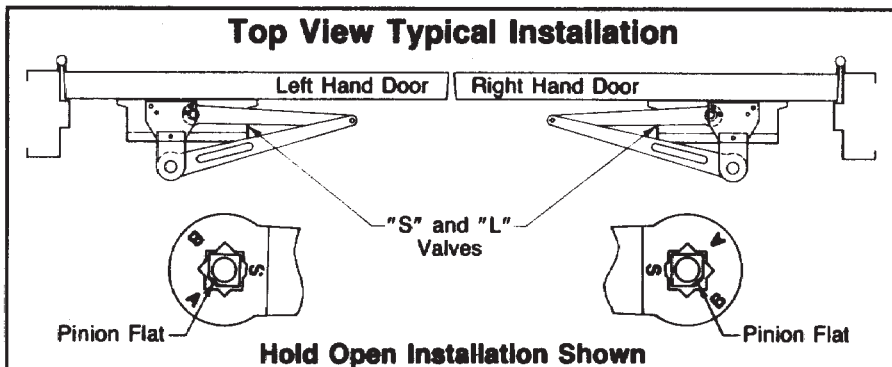
Door swing may be limited by door, frame, wall or hardware conditions.

Hollow-metal doors require channel or box-type reinforcement when thru-bolt mount is specified.

Hold Open Arm door closers without Fusible-link release are not permitted to be used on fire doors.

Sex-bolts may be required for wood or plastic faced fire-door mounting.

Minimum thickness recommended for reinforcements in hollow-metal doors and frames: .1046" (2.66mm.) unless otherwise noted.



Fastener	Frame	Door	Drill
#14 type "A" sheet metal screw	wood	none	7/32" (5.5mm)
1/4-20 machine screw	metal	none	#7 (.201 dia.) or 5.10mm. drill 1/4"20 tap
SNB (optional)	none	hollow metal	9/32" (7.00mm.) thru 3/8" (9.50mm.) door face opposite to closer
		aluminum or wood	3/8" (9.50mm.) thru

**Pr1600 or PR1600H Series Door Closers**  
**Parallel Rigid Arm Application With 2019L Flush Transom Bracket & With or Without 1688 Drop Plate**  
**Non Hold Open or Hold Open Arm**  
**Individually Sized Units 3 and 4 & Multi-size Unit 1-6**



ASSA ABLOY

www.nortondoorcontrols.com

TEMPLATE NUMBER	REV
<b>7316-1256</b>	<b>2</b>