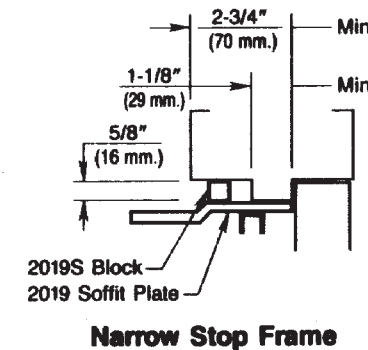
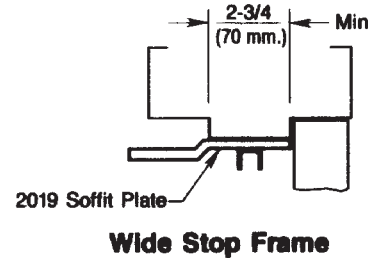


Opening	Dim. A	Dim. B	Dim. C
To 100°	9-5/8	7-5/8	8-5/8
100° to 130°	8-1/8	6-1/8	7-1/8
Over 130°	6-1/8	4-1/8	5-1/8

inches	mm.	inches	mm.	inches	mm.
		1-5/8	41	7	177.8
3/8	9.5	2	50.8	7-1/8	181
7/16	11.1	2-1/16	52.4	7-5/8	194
1/2	12.7	2-3/4	69.9	8-1/8	206
3/4	19.1	4	101.6	8-5/8	219
1-3/8	34.9	4-1/8	105	9-1/16	230.2
1-1/2	38.1	5-1/8	130	9-5/8	244
		6-1/8	156		



Notes:

- Do not scale drawing.
- Left hand door shown.
- Dimensions are in inches. See conversion chart for metric dimensions.

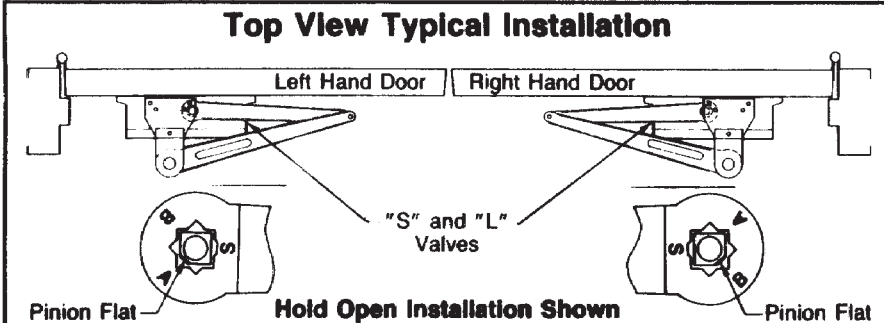
Door swing may be limited by door, frame, wall or hardware conditions.

Hollow-metal doors require channel or box-type reinforcement when thru-bolt mount is specified.

Hold Open Arm door closers without Fusible-link release are not permitted to be used on fire doors.

Sex-bolts may be required for wood or plastic faced fire-door mounting.

Minimum thickness recommended for reinforcements in hollow-metal doors and frames: .1046" (2.66mm.) unless otherwise noted.



Fastener	Frame	Door	Drill
#14 type "A" sheet metal screw	wood	none	7/32" (5.5mm)
1/4-20 machine screw	metal	none	#7 (.201 dia.) or 5.10mm. drill 1/4"-20 tap
SNB (optional)	none	hollow metal	9/32" (7.00mm.) thru 3/8" (9.50mm.) door face opposite to closer
		aluminum or wood	3/8" (9.50mm.) thru

PR1600 or PR1600H Series Door Closers
Parallel Rigid Arm Applications with or without 1688 Drop Plate
Non Hold Open or Hold Open Arm
Individually Sized Units 3 and 4 & Multi-sized Unit 1-6



ASSA ABLOY

www.nortondoorcontrols.com

TEMPLATE NUMBER

7316-1252

REV

2