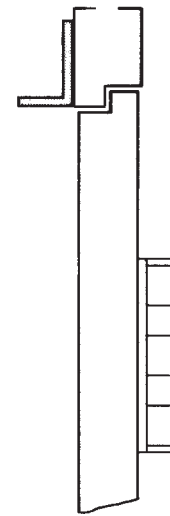
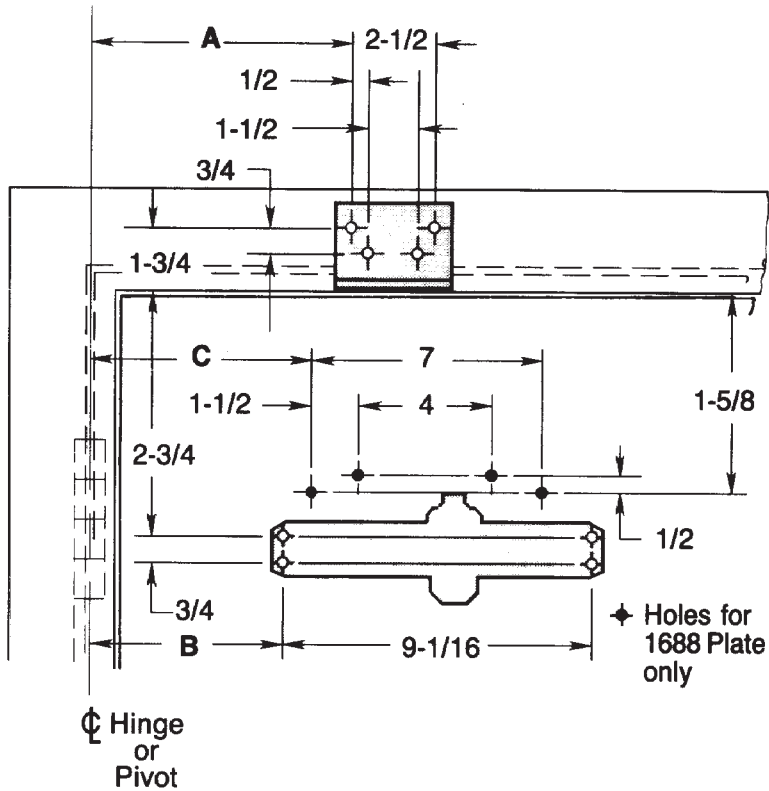


★ Door must be free to swing 5° beyond hold-open position.



Opening		Dim. A	Dim. B	Dim. C
Hold Open ★	Stop			
85°	90°	10-5/8	8-5/8	9-5/8
90°	95°	9-7/8	8	9
95°	100°	9-3/8	7-1/2	8-1/2
100°	105°	9	7-1/8	8-1/8
105°	110°	8-5/8	6-3/4	7-3/4
110°	115°	8-1/4	6-3/8	7-3/8

**Notes:**

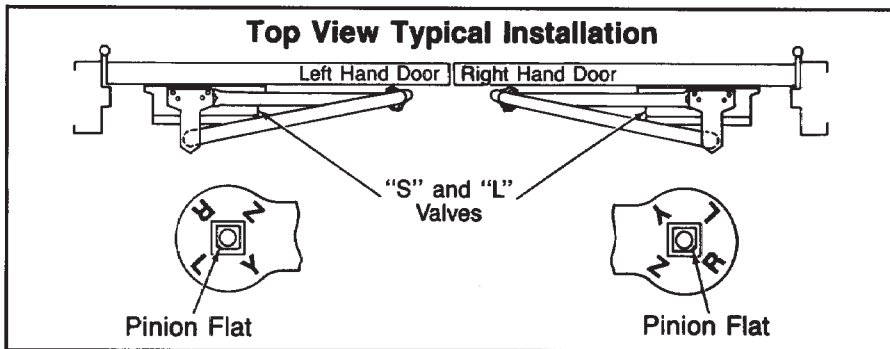
Do not scale drawing.  
 Left hand door shown.  
 Dimensions are in inches.  
 Hollow-metal doors require channel or box-type reinforcement when thru-bolt mount is specified.  
 Models with a Hold Open arm suffix are not permitted to be used on fire doors.

Sex bolts may be required for wood or plastic faced fire-door mounting.

Minimum thickness recommended for reinforcements in hollow-metal doors and frames: .1046" (2.66mm).

For metric dimensions follow Conversion Chart.

inches	mm.	inches	mm.	inches	mm.
1/2	13	6-3/4	171	8-1/2	216
3/4	19	7	178	8-5/8	219
1-1/2	38	7-1/8	181	9	228.5
1-5/8	41	7-3/8	187	9-1/16	230
1-3/4	44.5	7-1/2	191	9-3/8	238
2-1/2	63.5	7-3/4	197	9-5/8	244
2-3/4	70	8	203	9-7/8	251
4	101.5	8-1/8	206	10-5/8	270
6-3/8	162	8-1/4	209.5		



Fastener	Door or Frame	Drill
SNB	hollow-metal	9/32" (7.00mm.) thru 3/8" (9.50mm.) door face opposite to closer
	aluminum or wood	3/8" (9.50mm.) thru

**UNI-1600 or UNI-1600H Series Unitrol Door Closers**  
 Parallel Arm Application for Doors 28" to 32" (0.70-0.80m) Wide  
 With 2022 Flush Transom Bracket & With or Without 1688 Drop Plate  
 Non Hold Open or Hold Open Arm - All Arms With Spring Cushioned Stop  
 Individually Sized Units 3 and 4 & Multi-size Unit 1-6



ASSA ABLOY

www.nortondoorcontrols.com

TEMPLATE NUMBER	REV
7316-2360	2