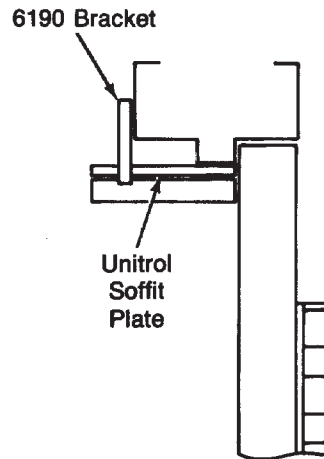


Opening		Dim. A	Dim. B	Dim. C
Hold Open ★	Stop			
85°	90°	15	13-1/4	14-1/4
90°	95°	14-1/4	12-1/2	13-1/2
95°	100°	13-5/8	11-7/8	12-7/8
100°	105°	13	11-1/4	12-1/4
105°	110°	12-1/2	10-3/4	11-3/4
110°	115°	12	10-1/4	11-1/4

★ Door must be free to swing 5° beyond hold-open position.



Notes:

Do not scale drawing.

Left hand door shown.

Dimensions are in inches.

Hollow-metal doors require channel or box-type reinforcement when thru-bolt mount is specified.

Models with a Hold Open arm suffix are not permitted to be used on fire doors.

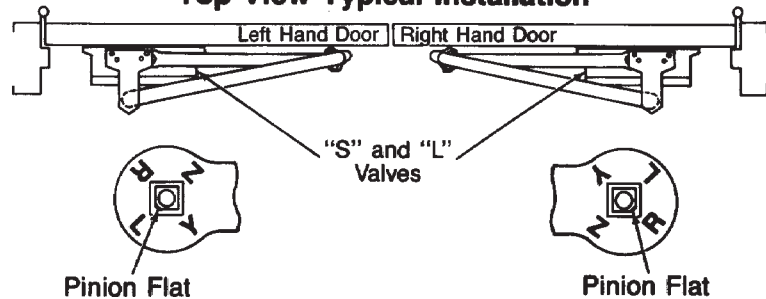
Sex bolts may be required for wood or plastic faced fire-door mounting.

Minimum thickness recommended for reinforcements in hollow-metal doors and frames: .1046" (2.66mm).

Follow Conversion Chart for metric dimensions.

inches	mm.	inches	mm.	inches	mm.
		2-3/4	70	12-1/4	311
3/8	9.5	4	101.5	12-1/2	317.5
7/16	11	4-1/2	114	12-7/8	327
1/2	13	7	178	13	330
3/4	19	9-1/16	230	13-1/4	336.5
1-1/8	28.5	10-1/4	260	13-1/2	342.5
1-1/4	31.5	10-3/4	273	13-5/8	346
1-1/2	38	11-1/4	285.5	14-1/4	361.5
1-5/8	41	11-3/4	298	15	380.5
1-7/8	47.5	11-7/8	301.5		
2	51	12	304.5		

Top View Typical Installation



Fastener	Frame	Door	Drill
1/4-20 machine screw	metal	none	#7 (.201" dia.) or 5.10mm. drill. . 1/4-20 tap
#14 type "A" sheet metal screw	wood	none	7/32" (5.5mm)
SNB	none	hollow-metal	9/32" (7.00mm.) thru 3/8" (9.50mm.) door face opposite to closer
		aluminum or wood	3/8" (9.50mm.) thru

UNI-1600 or UNI-1600H Series Unitrol Door Closers
 Parallel Arm Application for Doors 42" to 48" (1.05-1.02m) Wide
 With Standard 6190 Bracket & With or Without 1688 Drop Plate
 Non Hold Open or Hold Open Arm - All Arms With Spring Cushioned Stop
 Individually Sized Units 3 and 4 & Multi-size Unit 1-6



ASSA ABLOY

www.nortondoorcontrols.com

TEMPLATE NUMBER

7316-2356

REV

2