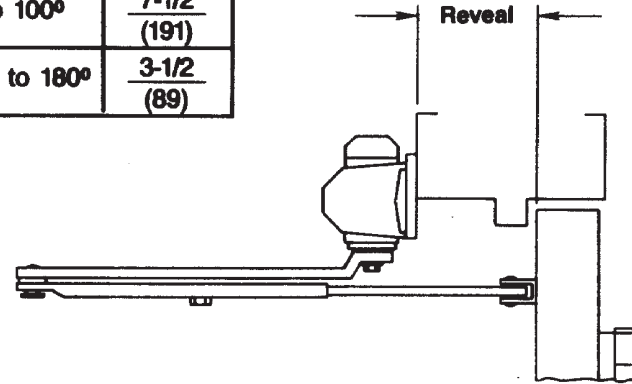


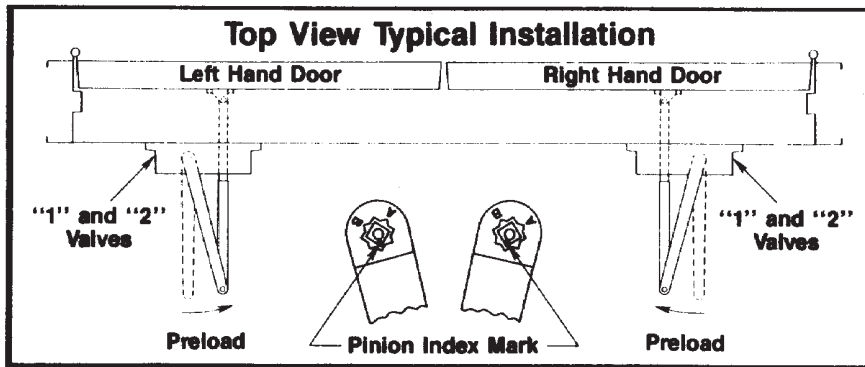
| Opening | Dim. A |
|--------------|----------------|
| To 100° | 7-1/2 (191) |
| 101° to 180° | 3-1/2 (89) |



| REVEAL RANGE | |
|----------------|--------------------------------------|
| 1700BC Series | 0'' to 4-7/8'' (0) to (123) |
| J1700BC Series | 4-7/8'' to 6-7/8'' (123) to (174) |

Notes:

- Door swing may be limited by door, frame, wall or hardware conditions.
- Hollow-metal doors require channel or box-type reinforcement when thru-bolt mount is specified.
- Sex-bolts required for wood or plastic faced fire-door mounting.
- Minimum thickness recommended for reinforcements in hollow-metal doors and frames: .1046'' (2.66mm) unless otherwise noted.



- Do not scale drawing.
- Left hand door shown.
- Dimensions are:
inches
(millimeters)

| PREPARATION FOR FASTENERS | | |
|---|------------------|---|
| TYPE OF FASTENER | DOOR OR FRAME | PREPARATION |
| #14 Type "A" Sheet Metal Screw | Wood | 7/32" (5.5mm) |
| 1/4-20 Machine Screw | Hollow Metal | #7 (.201 dia.) or 5.10mm. drill — 1/4-20 tap |
| SNB (See Nut & Bolt) (Optional) | Hollow Metal | 9/32" (7.00mm) thru ... 3/8" (9.50mm) door face Opposite to closer |
| | Aluminum or Wood | 3/8" (9.50mm) thru ... |
| TBGN (Thru Bolt & Grommet Nut) (Optional) | All | 9/32" (7.00mm) thru ... 3/8" (9.50mm) diameter 3/8" (10mm) deep, door Face opposite to closer |

**1700BC or J1700BC Series Door Closers
Door and Frame Preparation Template
Top Jamb Drop Application With Non Hold Open Arm
With 1746 or 1757 Drop Plate**



ASSA ABLOY

www.nortondoorcontrols.com

TEMPLATE NUMBER

7317-0056

DATE

01-09