

# Installation Instructions

**Norton®**  
**ASSA ABLOY**

**Hold Open Door Closers**  
**1700H**

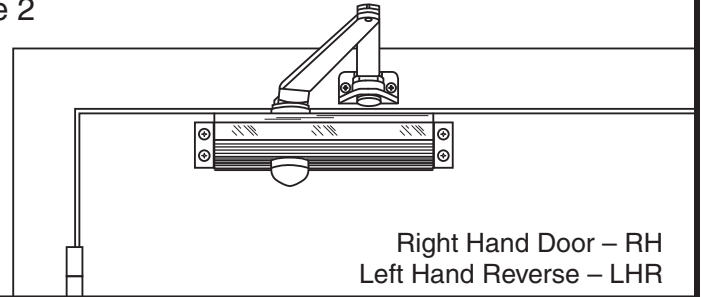
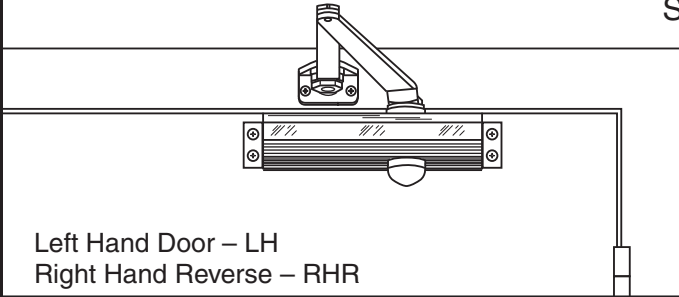
**CAUTION**  
 An incorrectly installed or improperly adjusted door closer can cause property damage or personal injury. These instructions should be followed to avoid the possibility of misapplication or misadjustment.  
**CAUTION**

**WARNING**  
 This product can expose you to lead which is known to the state of California to cause cancer and birth defects or other reproductive harm. For more information go to [www.P65warnings.ca.gov](http://www.P65warnings.ca.gov).

Select application from illustrations below... Proceed to page shown. Closer is shown without cover.

## Regular Arm Installation

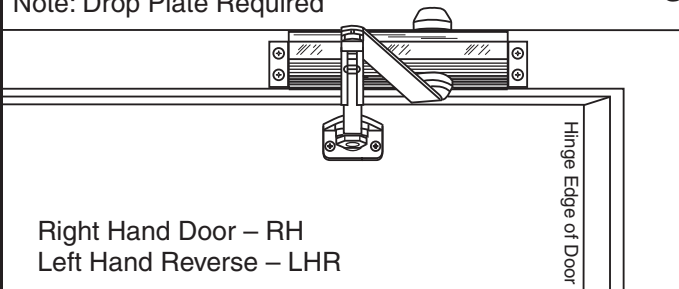
Closer on hinge (pull) side of door.  
 See Page 2



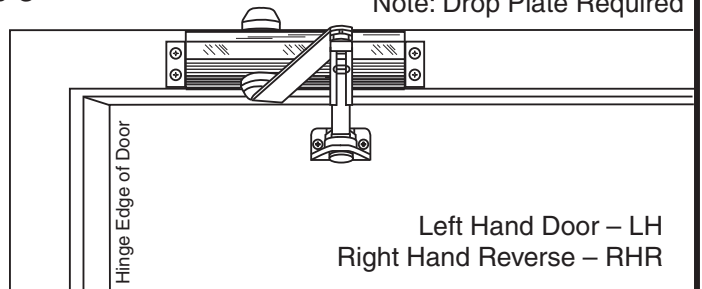
## Top Jamb Installation

Closer on frame face on stop (push) side of door.  
 See Page 3

Note: Drop Plate Required

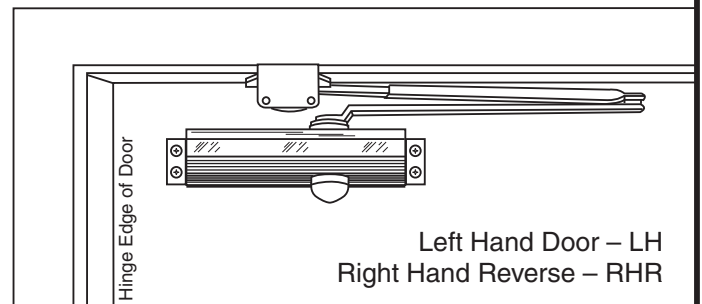
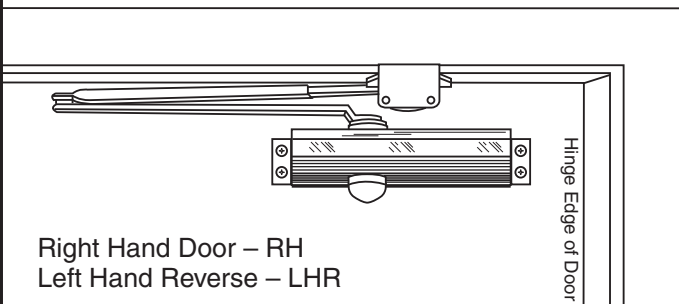


Note: Drop Plate Required

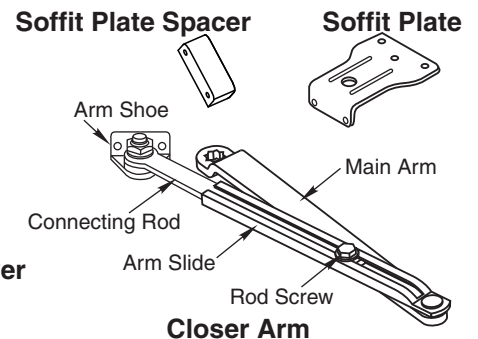
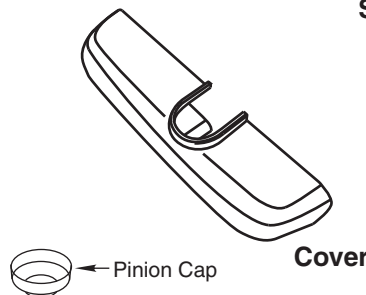
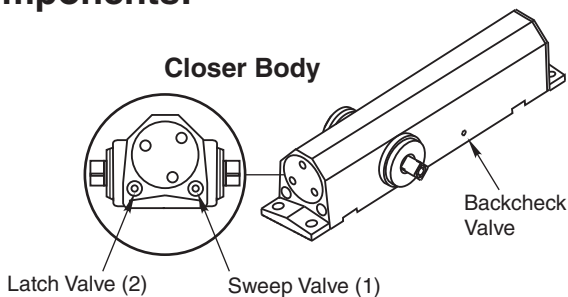


## Parallel Arm Installation

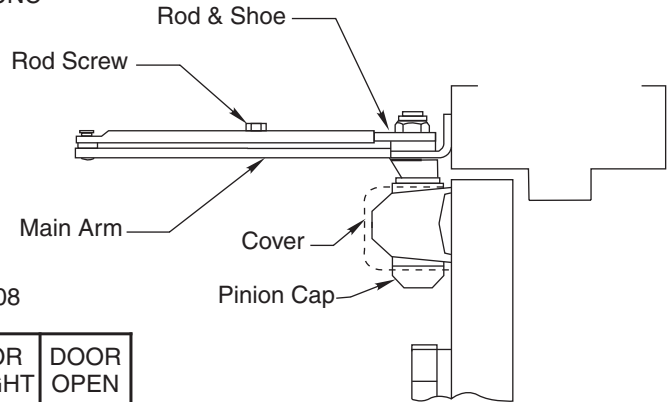
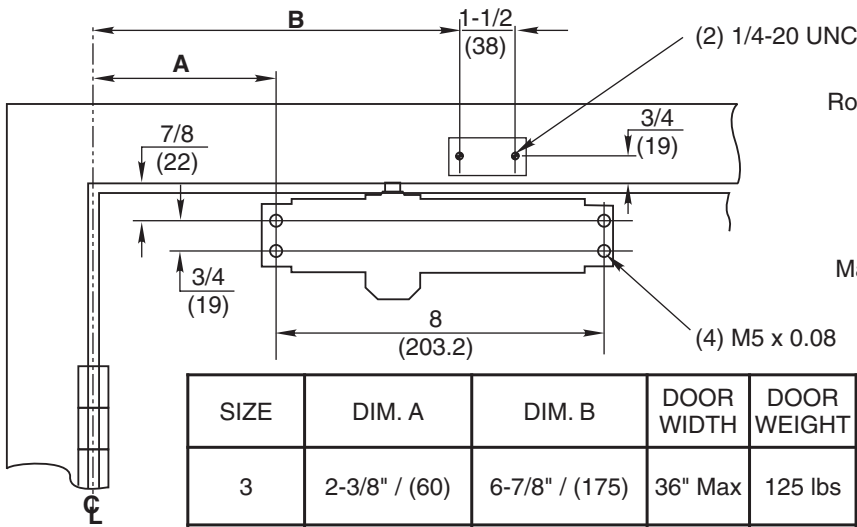
Closer on door on stop (push) side of door.  
 See Page 4



## Components:



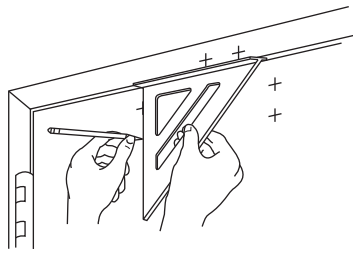
# Regular Arm Mount 1700H



SIZE	DIM. A	DIM. B	DOOR WIDTH	DOOR WEIGHT	DOOR OPEN
3	2-3/8" / (60)	6-7/8" / (175)	36" Max	125 lbs	180°
4	5-5/8" / (144)	10-1/16" / (256)	42" Max	150 lbs	180°

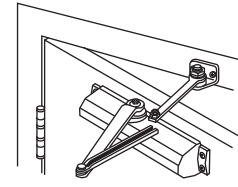
- Do not scale drawing.
- Right hand door shown.
- Dimensions are in inches (mm).

**Auxiliary Stop Required  
(By Others)**

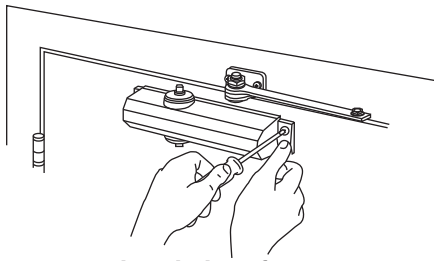


- **Select size mounting.** Use template to locate holes on door and frame:  
**4 on door** for closer. **2 on frame** face for arm shoe.
- **Prepare for fasteners.** See Chart on Page 2.

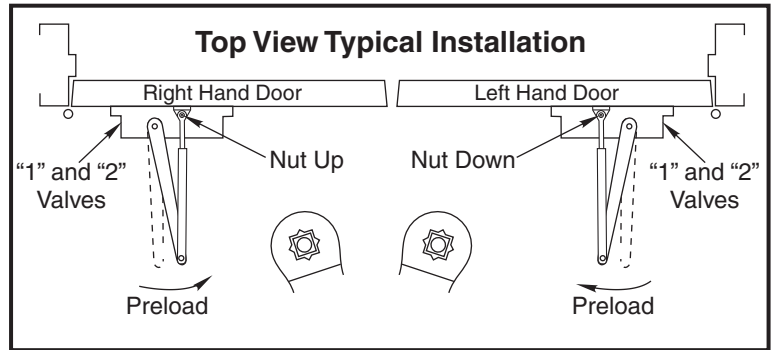
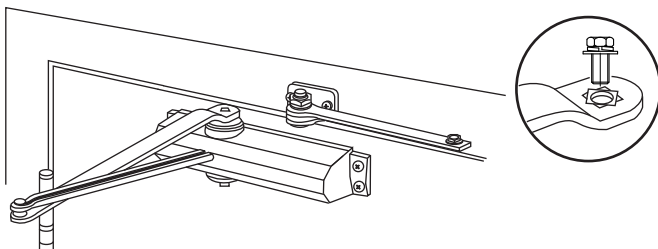
- **Install main arm on closer.** Place arm on pinion at 90° angle (perpendicular) to frame, see "Typical Installation" chart below. Fasten with arm screw.



- **Open door slightly.** Align and insert adjusting rod into adjusting tube. Close door. Adjust forearm at 90° angle (perpendicular) to door. Tighten rod screw.
- **Adjust closer.** See Page 3 ... Then install pinion cap or cover.

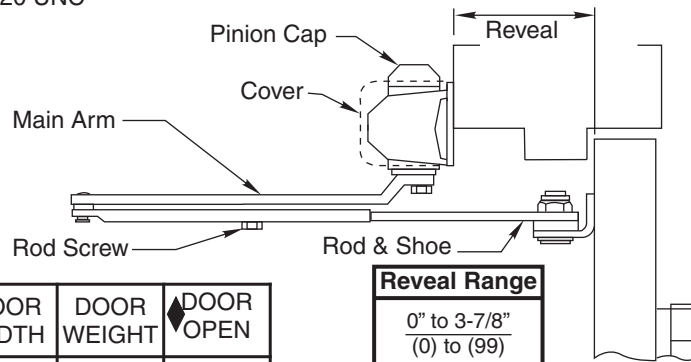
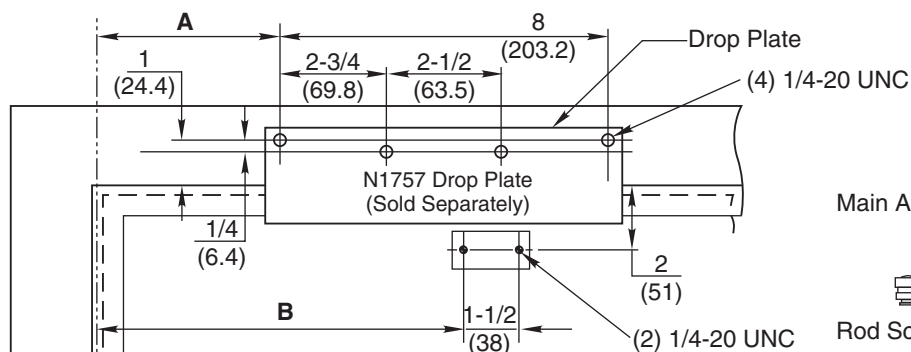


- **Remove rod and shoe from arm assembly.**
- **Mount rod and shoe to frame.**  
 Nut **Up** for **Right Hand** door  
 .Nut **Down** for **Left Hand** door
- **Mount closer to door.** Place end with two regulating valves toward hinge edge of door.



Fasteners Chart			
	Fasteners	Door or Frame	Drill-Sizes
Closer Body	5.5mm Dia. type "A" sheet metal screw	Wood	3/32" (2.5 mm.)
	M5 X 0.8 FHMS	Metal	Drill: #19 (4.2mm dia.) Tap: M5 X 0.8
Soffit Plate & Arm	#14 type "A" sheet metal screw	Wood	7/32" (5.56 mm.)
	1/4" - 20 machine screw	Metal	Drill: #7 (0.201" dia.) Or 5.10mm tap: 1/4" - 20

# Top Jamb Mount 1700H



Reveal Range	
0" to 3-7/8"	(0) to (99)

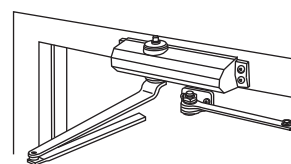
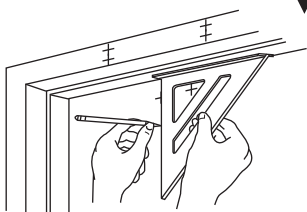
- Do not scale drawing.
- Left hand door shown.
- Dimensions are in inches (mm).

SIZE	SHOE POSITION	DIM. A	DIM. B	DOOR WIDTH	DOOR WEIGHT	DOOR OPEN
3		2-3/8" / (60)	6-7/8" / (175)	36" Max	125 lbs	160°
4		5-5/8" / (144)	10-1/16" / (256)	42" Max	150 lbs	140°

- ◆ **Max. Door Open:**  
**Size 3:** 160° max. open at 3" to 3-7/8" reveals.  
**Size 3:** 180° max. open at 0" to 3" reveals.  
**Size 4:** 140° max. open 0" to 3-7/8" reveals.

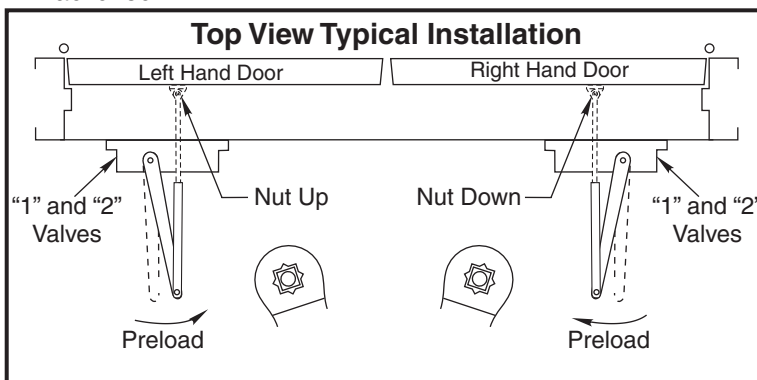
**Auxiliary Stop Required  
(By Others)**

Drop Plates	
Closer	Drop Plate #
with Cover	N1757

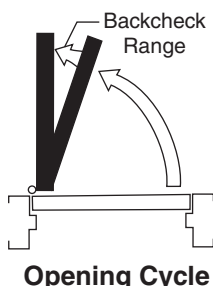
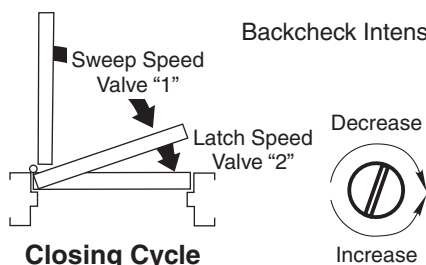


- **Select size mounting.** Use template to locate holes on door and frame:
- **4 on frame face for closer. 2 on door for arm shoe.**
- **Prepare for fasteners.** See Chart on Page 2.
- **Remove rod and shoe from arm assembly.**
- **Mount rod and shoe to door.**  
Nut **Down** for **Right Hand** door.  
Nut **Up** for **Left Hand** door.
- **Fasten No. N1757 drop plate to frame face.**
- **Mount closer to drop plate using (4) M5 x 0.08 screws provided.** Place end with two regulating valves toward hinge edge of door.

- **Install main arm on closer.** Place arm on pinion at 90° angle (perpendicular) to frame, see "Typical Installation" chart below. Fasten with arm screw.
- **Reassemble arm.** Adjust forearm at 90° angle (perpendicular) to door. Tighten rod screw.
- **Adjust closer.** See below for Hold Open, Closing Speed and Backcheck.



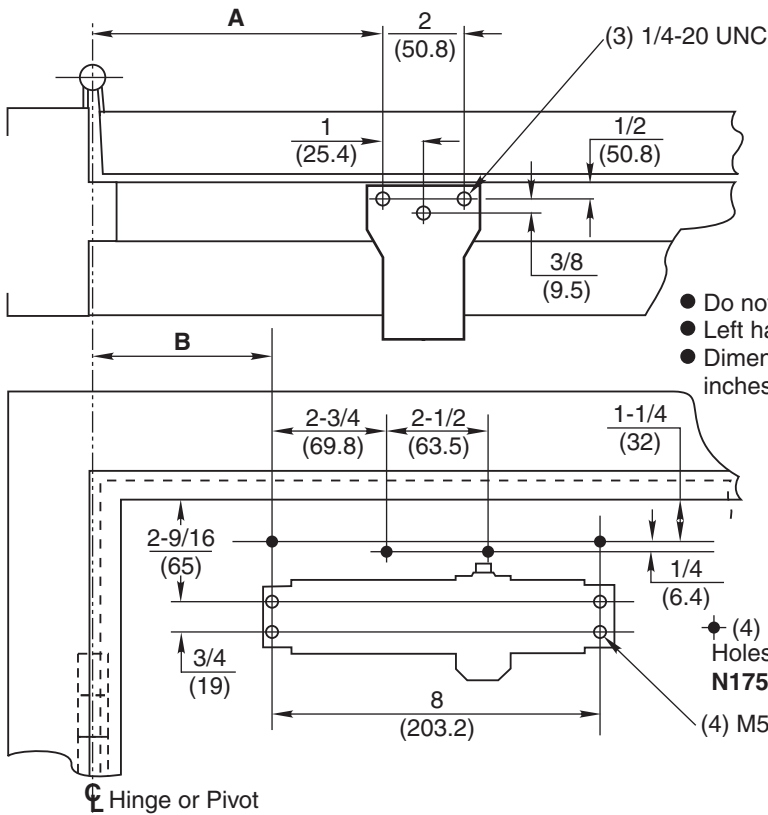
## Valve Adjustments



Closing Speeds  
"1" and "2"

- **Closing speed** controlled by valve marked "1" (sweep range) and by valve marked "2" (latch range).
- **Backcheck Model Closers only** suffix "BC". Backcheck controlled by valve "BC". **Never close "BC" valve completely.**
- **Hold Open Adjustment.** Open door to angle of hold open desired. Tighten hold open adjustment nut with a 13/16" wrench or socket.

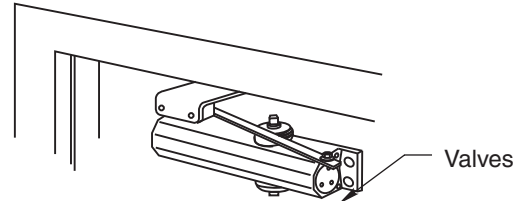
# Parallel Arm Mount 1700H



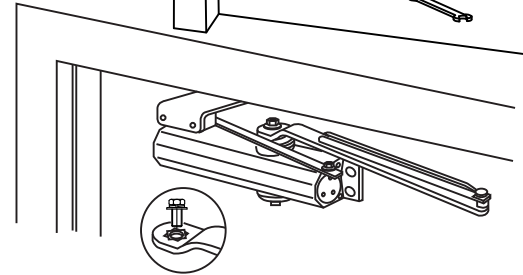
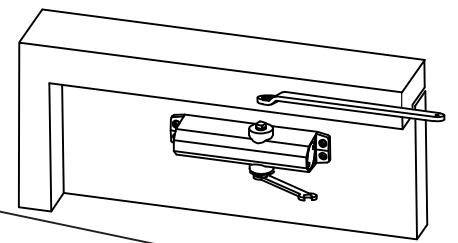
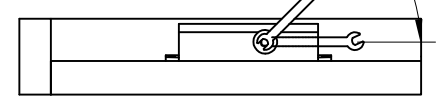
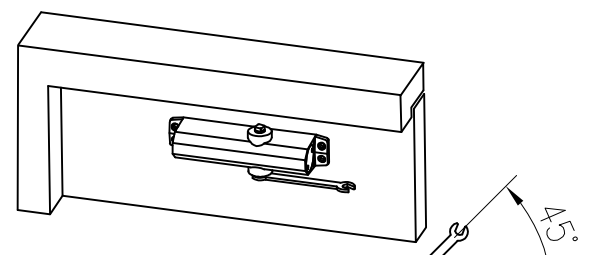
- Do not scale drawing.
- Left hand door shown.
- Dimensions are in inches (mm).

- ◆ (4) 1/4-20 Holes for optional N1758 Plate only
- (4) M5 x 0.08

- Remove rod and shoe from arm assembly.
- Fasten rod and shoe to soffit plate.
  - Nut Up for Right Hand door.
  - Nut Down for Left Hand door.
- Mount closer or drop plate and closer to door. Place end with two regulating valves toward lock edge of door.

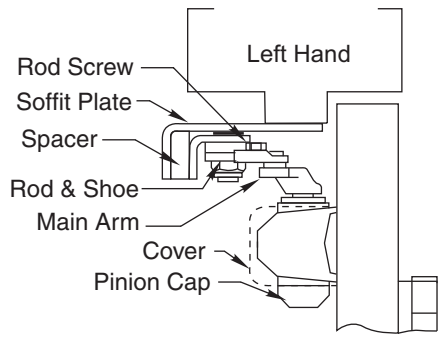
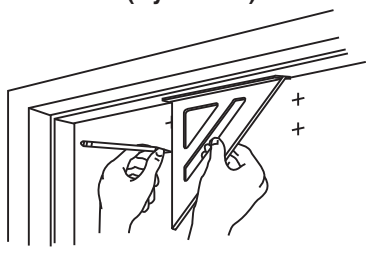


- Preload Closer. Place wrench on bottom pinion and rotate wrench 45° away from door face.



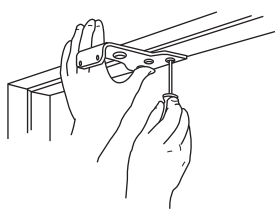
SIZE	DIM. A	DIM. B	SPACER (Installed)	DOOR WIDTH	DOOR WEIGHT	DOOR OPEN
3	5-3/8" / (136.5)	4-9/16" / (152.5)	NO	36" Max	125 lbs	180°
4	5-3/8" / (126.5)	4-9/16" / (152.5)	YES	42" Max	150 lbs	180°

**Auxiliary Stop Required (By Others)**



- Select size mounting. Use template to locate holes on door and frame:
  - 4 on door for closer (or drop plate).
  - 3 on frame for soffit plate.

- Prepare for fasteners. See Chart on Page 2.



- Mount soffit plate to frame.

- Reassemble arm. Adjust forearm length to set arm elbow from door as shown below. Tighten rod screw.
- Adjust closer. See Closer Adjustment (Pages 2 & 3).

