

Installation Instructions

Norton®
ASSA ABLOY

Non Hold Open Door Closers
1700

CAUTION An incorrectly installed or improperly adjusted door closer can cause property damage or personal injury. These instructions should be followed to avoid the possibility of misapplication or misadjustment. **CAUTION**

WARNING

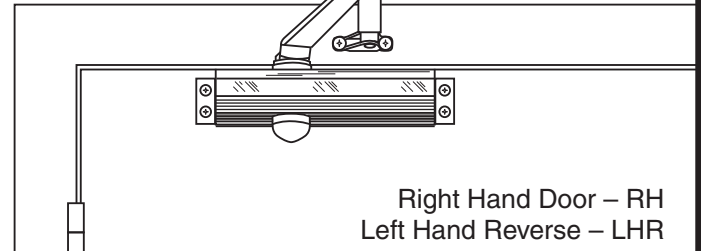
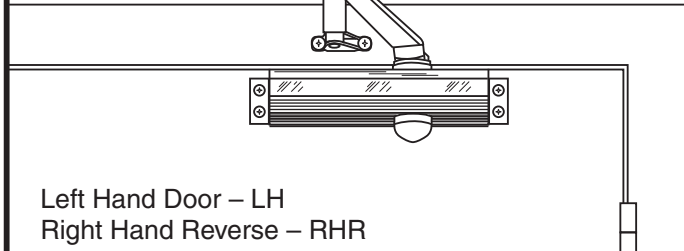
This product can expose you to lead which is known to the state of California to cause cancer and birth defects or other reproductive harm. For more information go to www.P65warnings.ca.gov.

Select application from illustrations below... Proceed to page shown. Closer is shown without cover.

Regular Arm Installation

Closer on hinge (pull) side of door.

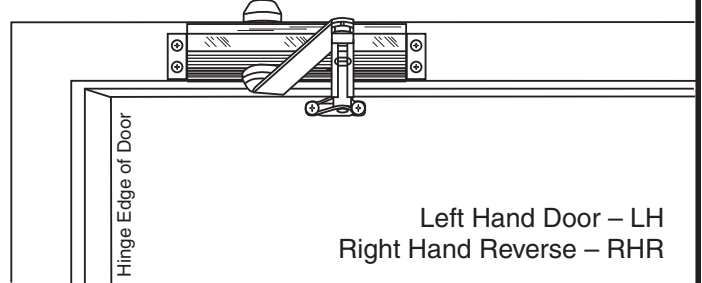
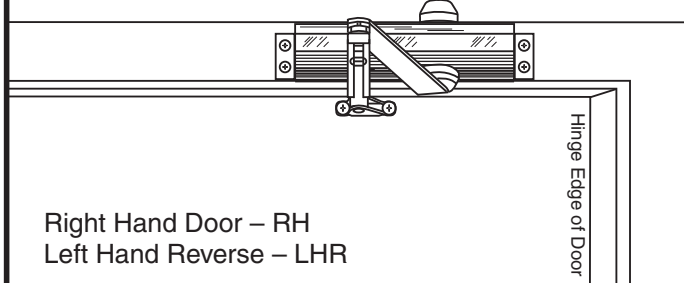
See Page 2



Top Jamb Installation

Closer on frame face on stop (push) side of door.

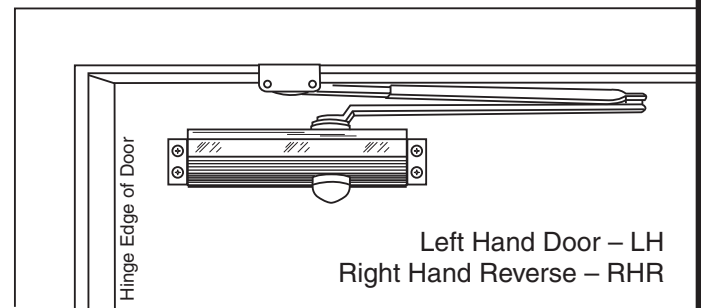
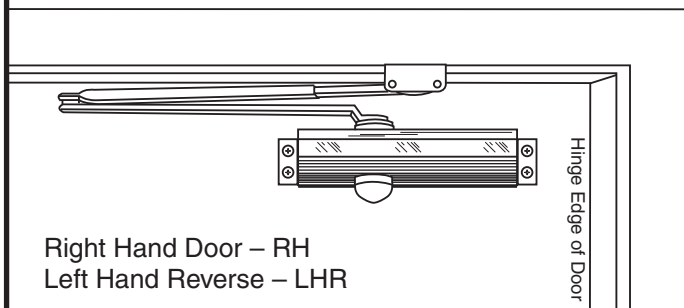
See Page 3



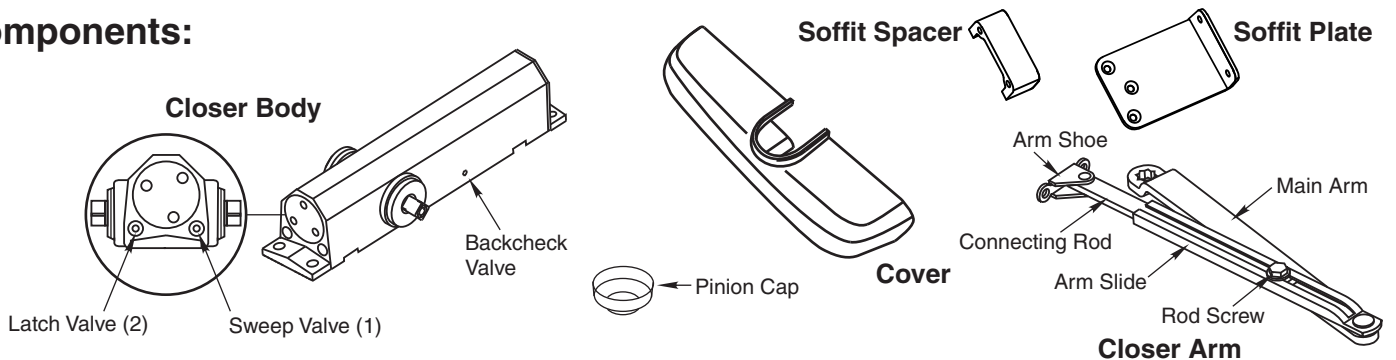
Parallel Arm Installation

Closer on door on stop (push) side of door.

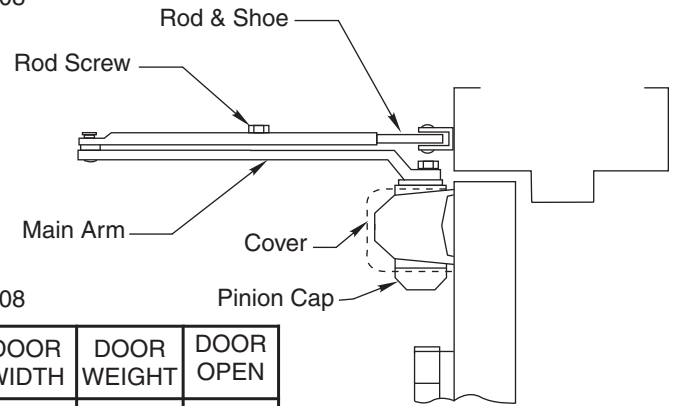
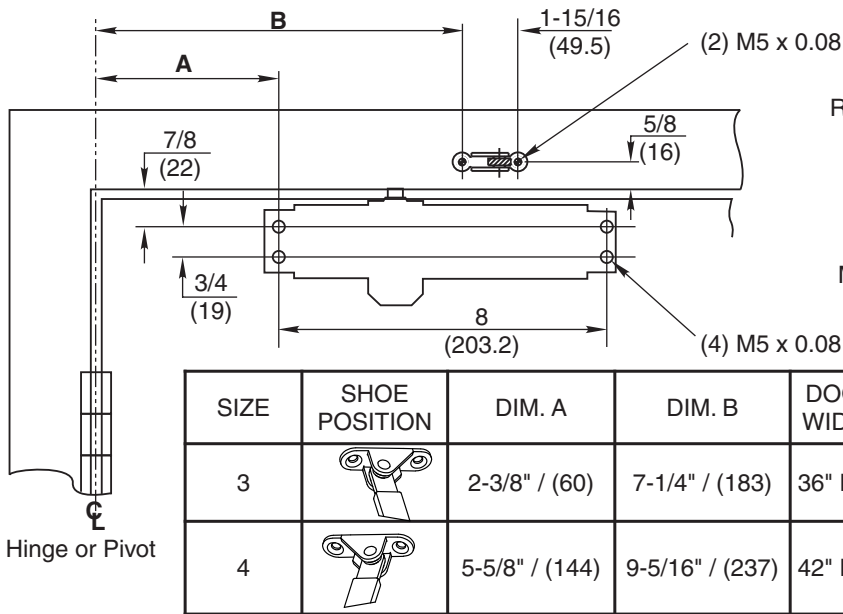
See Page 4



Components:



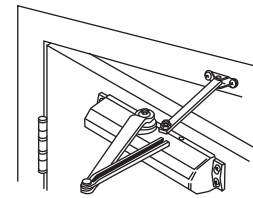
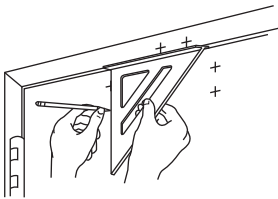
Regular Arm Mount 1700



- Do not scale drawing.
- Right hand door shown.
- Dimensions are in inches (mm).

**Auxiliary Stop Required
(By Others)**

Install main arm on closer. Place arm on pinion at 90° angle (perpendicular) to frame, see "Typical Installation" chart below. Fasten with arm screw.



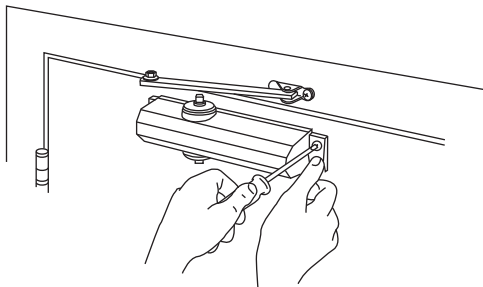
Select size mounting. Use template to locate holes on door and frame:

4 on door for closer. **2 on frame** face for arm shoe.

Prepare for fasteners. See Chart on Page 2.

Open door slightly. Align and insert adjusting rod into adjusting tube. Close door. Adjust forearm at 90° angle (perpendicular) to door. Tighten rod screw.

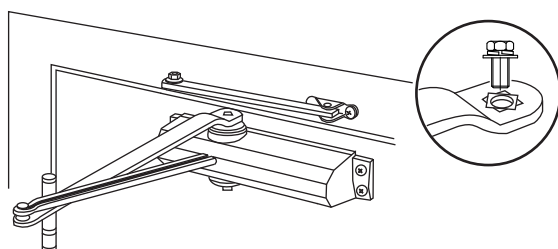
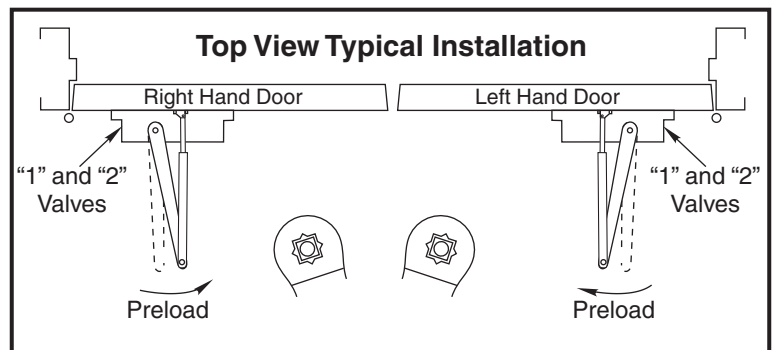
Adjust closer. See Page 3 ... Install pinion cap and cover.



Remove rod and shoe from arm assembly.

Mount rod and shoe to frame. (Long end of shoe toward hinge.)

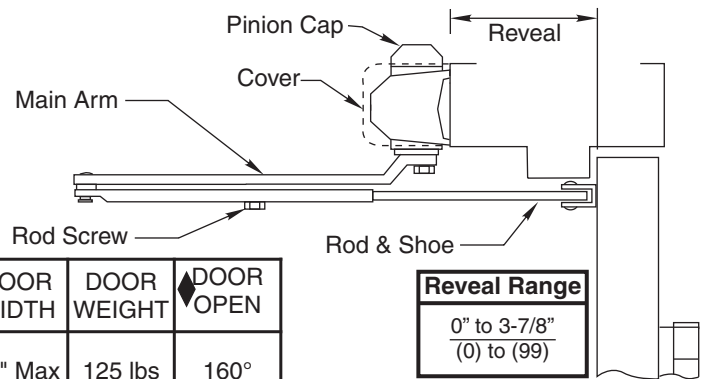
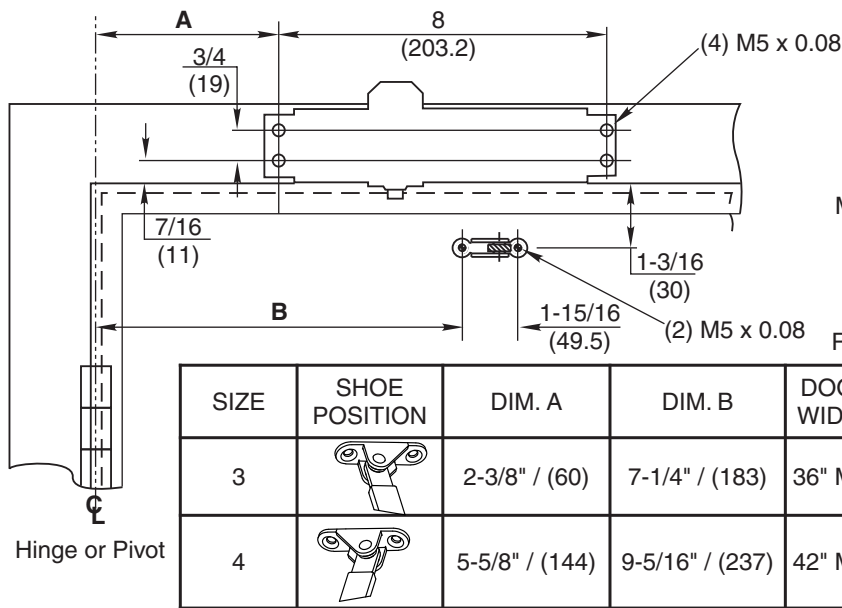
Mount closer to door. Place end with two regulating valves toward hinge edge of door.



Fasteners Chart		
Fasteners	Door or Frame	Drill-Sizes
5.5mm Dia. type "A" sheet metal screw	Wood	3/32" (2.5 mm.)
M5 X 0.8 FHMS	Metal	Drill: #19 (4.2mm dia.) Tap: M5 X 0.8

Installation Instructions

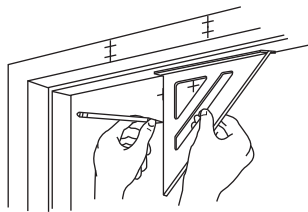
Top Jamb Mount 1700



SIZE	SHOE POSITION	DIM. A	DIM. B	DOOR WIDTH	DOOR WEIGHT	DOOR OPEN
3		2-3/8" / (60)	7-1/4" / (183)	36" Max	125 lbs	160°
4		5-5/8" / (144)	9-5/16" / (237)	42" Max	150 lbs	140°

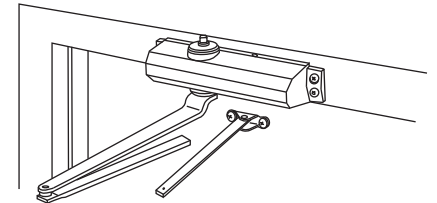
Reveal Range
0" to 3-7/8" (0) to (99)

- Do not scale drawing.
- Left hand door shown.
- Dimensions are in inches (mm).



Max. Door Open:
Size 3: 160° max. open at 3" to 3-7/8" reveals.
Size 3: 180° max. open at 0" to 3" reveals.
Size 4: 140° max. open 0" to 3-7/8" reveals.

Auxiliary Stop Required (By Others)



Select size mounting. Use template to locate holes on door and frame:

4 on frame face for closer. **2 on door** for arm shoe.

Prepare for fasteners. See Chart on Page 2.

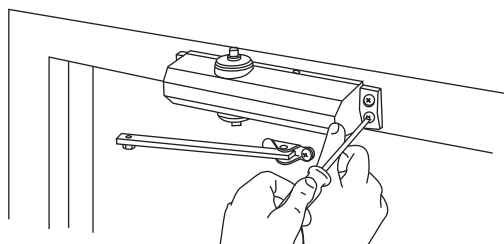
Remove rod and shoe from arm assembly.

Mount rod and shoe to door. (Long end of shoe toward hinge).

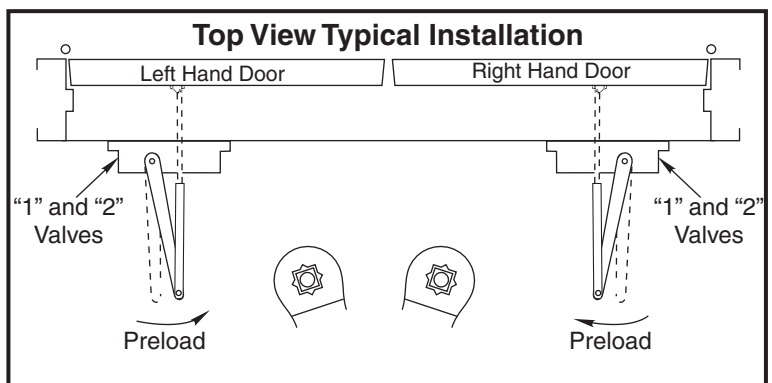
Install main arm on closer. Place arm on pinion at 90° angle (perpendicular) to frame, see "Typical Installation" chart below.

Reassemble arm. Adjust forearm at 90° angle (perpendicular) to door. Tighten rod screw.

Adjust closer. See below.

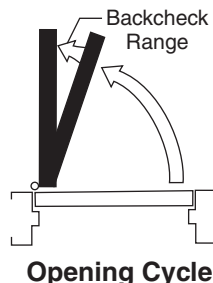
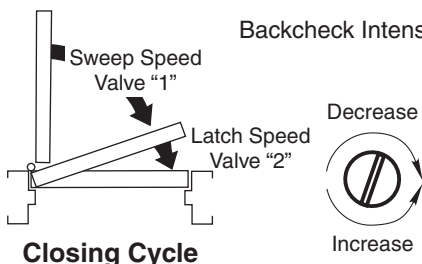


Mount closer to frame. Place end with two regulating valves toward hinge edge of door.



Valve Adjustments

Backcheck Intensity "BC"



Decrease

Increase

Closing Speeds "1" and "2"

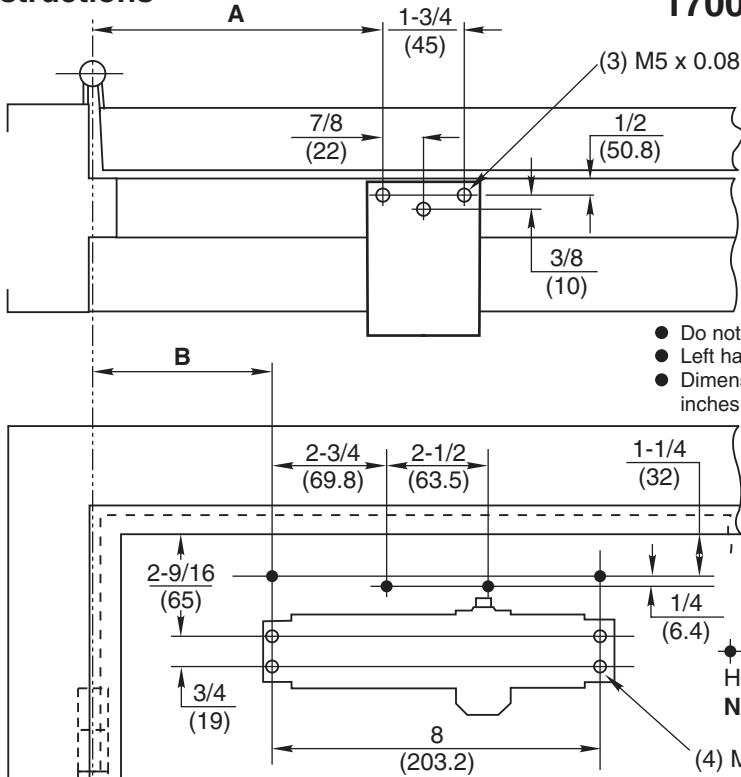
Closing speed controlled by valve marked "1" (sweep range) and by valve marked "2" (latch range).

Backcheck Model

Backcheck controlled by valve "BC".
Never close "BC" valve completely.

Installation Instructions

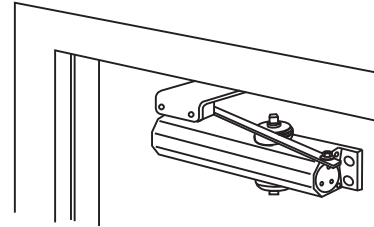
Parallel Arm Mount 1700



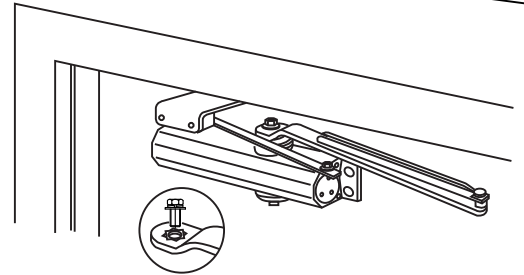
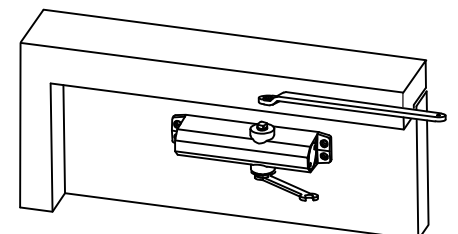
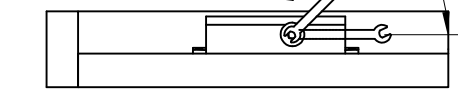
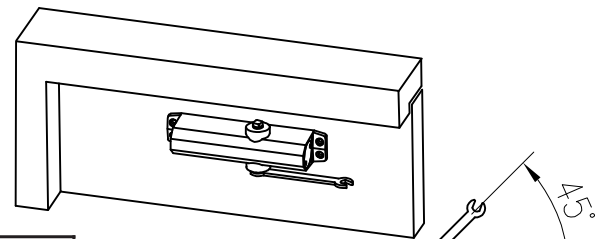
- Do not scale drawing.
- Left hand door shown.
- Dimensions are in inches (mm).

◆ (4) 1/4-20 Holes for optional N1758 Plate only
 (4) M5 x 0.08

- Remove rod and shoe from arm assembly.
- Fasten rod and shoe to soffit plate.
- Mount closer or drop plate and closer to door. Place end with two regulating valves toward lock edge of door.

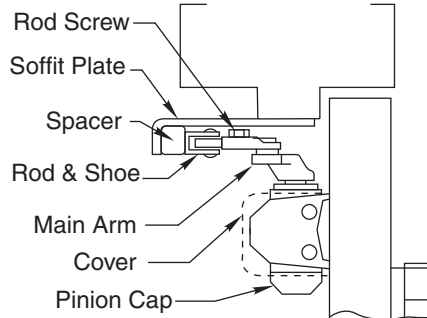
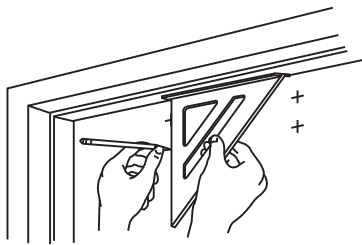


- Preload Closer. Place wrench on bottom pinion and rotate wrench 45° away from door face.



SIZE	DIM. A	DIM. B	SPACER (Installed)	DOOR WIDTH	DOOR WEIGHT	DOOR OPEN
3	6 / (152.5)	4-9/16" / (152.5)	NO	36" Max	125 lbs	180°
4	6" / (152.5)	4-9/16" / (152.5)	YES	42" Max	150 lbs	180°

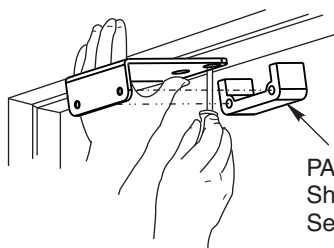
Auxiliary Stop Required (By Others)



Select size mounting. Use template to locate holes on door and frame:

- 4 on door for closer (or drop plate).
- 3 on frame for soffit plate.

Prepare for fasteners. See Chart on Page 2.



PA Bracket Spacer Shown Here. See Chart above.

Mount soffit plate to frame.

- Reassemble arm. Adjust forearm length to set arm elbow from door as shown below. Tighten rod screw.
- Adjust closer. See Closer Adjustment (Pages 2 & 3).

