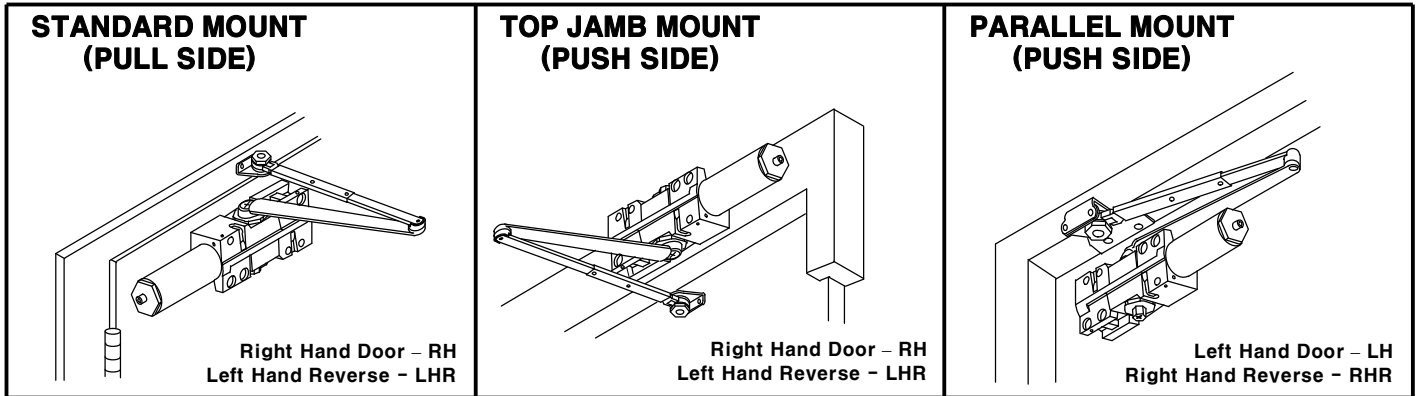


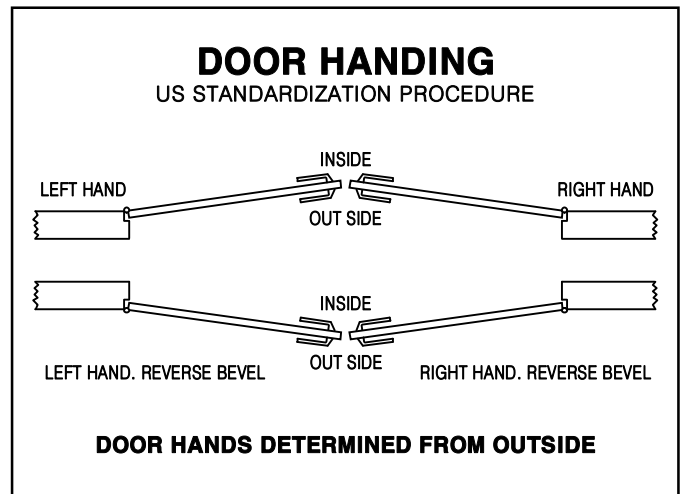
INSTALLATION INSTRUCTIONS

HOLD OPEN

Adjustable power size 1 thru 6



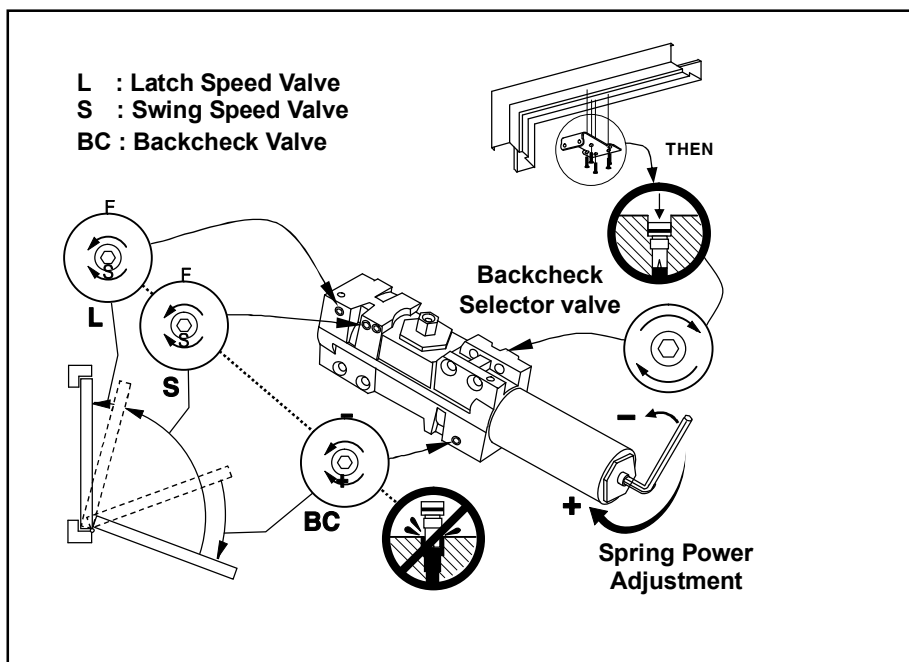
DOOR CLOSER SIZE	MAXIMUM DOOR WIDTH		FULL TURNS OF POWER ADJUSTMENT SCREW
	EXTERIOR (SWING OUT)	INTERIOR	
1	28" (0.71m)	32" (0.81m)	7C.C.W
2	32" (0.81m)	36" (0.91m)	4C.C.W
3	36" (0.91m)	42" (1.07m)	0(PRESET)
4	42" (1.07m)	48" (1.22m)	5C.C.W
5	48" (1.22m)	54" (1.22m)	10C.C.W
6	54" (1.37m)	58" (1.47m)	15C.C.W



(+) = CLOCKWISE
(-) = COUNTER CLOCKWISE

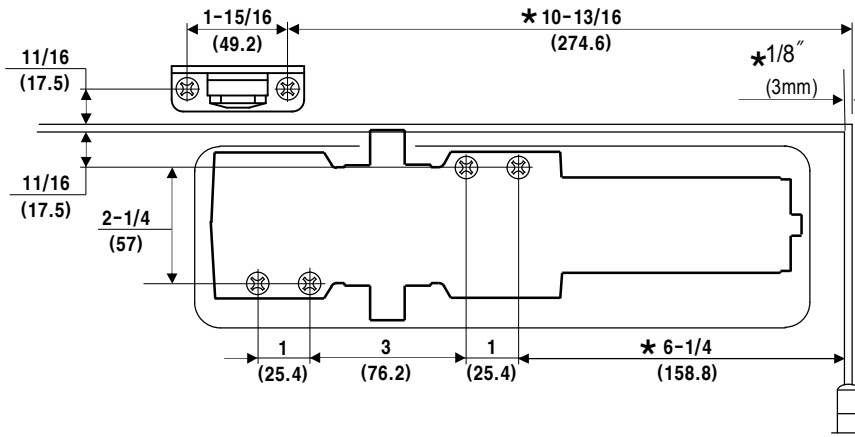
PLEASE NOTE
TURNS REQUIRED ARE APPROXIMATE
BECAUSE OF VARIOUS DOOR CONDITIONS
AND LOCATIONS. YOU MAY HAVE TO
FURTHER ADJUST SPRING TENSION TO
SUIT YOUR REQUIREMENTS.

IT IS IMPORTANT TO CAREFULLY FOLLOW ALL INSTALLATION AND MOUNTING INSTRUCTIONS WHEN INSTALLING ANY DOOR CLOSER.

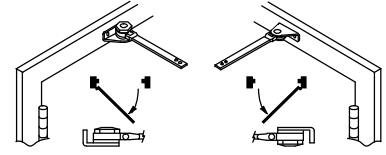


- Screw Pack**
- (a) Machine X4
 - (b) Self-tapping X4
 - (c) Machine X4
 - (d) Self-tapping X4
 - (e) Machine X1
 - (f) Self-tapping X1
 - (g) x2
 - (h) x1
 - (i) x1
 - (j) x2
 - (k) x1
 - (l) 4mm L wrench x1
 - (m) 2.5mm L wrench x1

PULL SIDE (DOOR JAMB) HOLD-OPEN ARM STANDARD MOUNT



Hold-open arm. Identify direction of hold-open nut according to mounting.

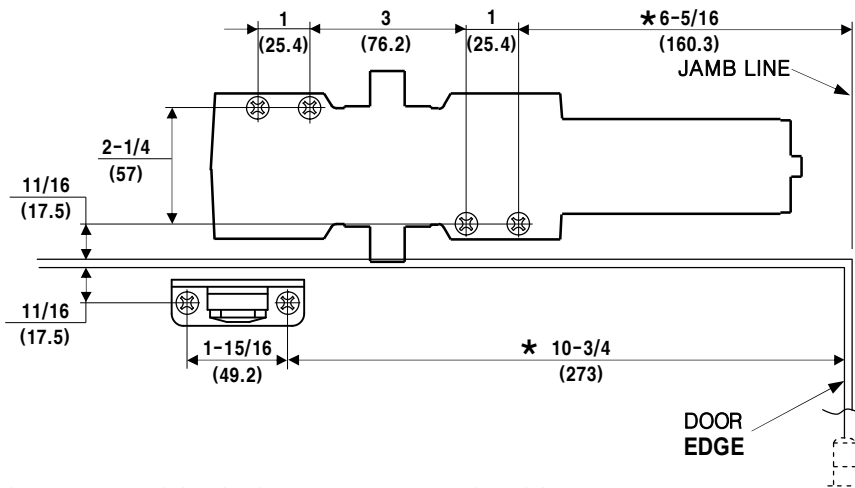


Hold-open (85° ~120°)

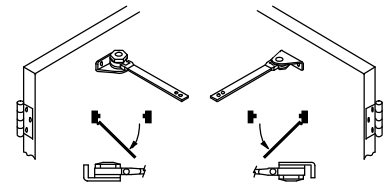
- Do Not Scale Drawing
- Dimensions : inches (mm)

LEFT HAND DOOR SHOWN, RIGHT HAND OPPOSITE.

PUSH SIDE (TOP JAMB) HOLD-OPEN ARM TOP JAMB MOUNT



Hold-open arm. Identify direction of hold-open nut according to mounting.

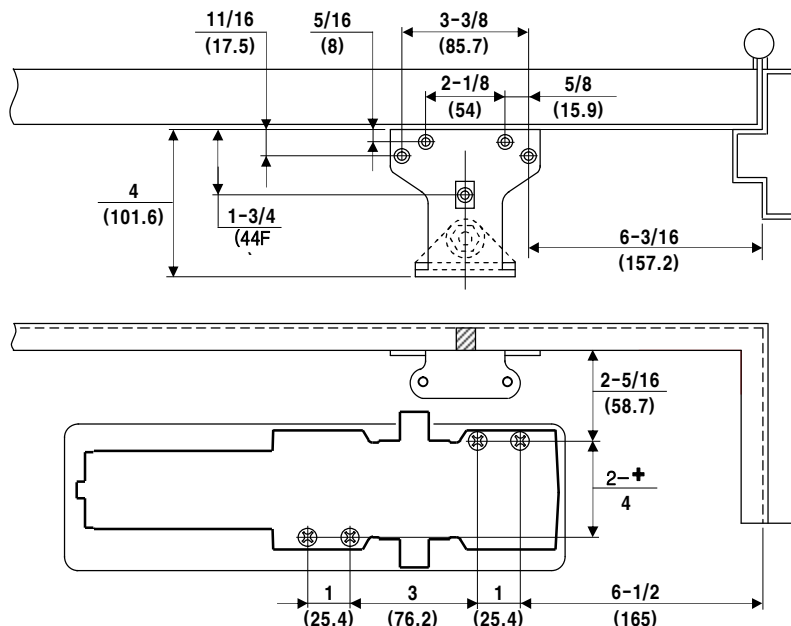


Hold-open (85° ~120°)

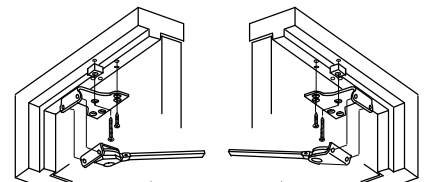
- Do Not Scale Drawing
- Dimensions : inches (mm)

RIGHT HAND DOOR SHOWN, LEFT HAND OPPOSITE.

PUSH SIDE (DOOR MOUNT) HOLD-OPEN ARM PARALLEL MOUNT



Hold-open arm. Identify direction of hold-open nut according to mounting.



Hold-open (85° ~180°)

- Do Not Scale Drawing
- Dimensions : inches (mm)

RIGHT HAND DOOR SHOWN, LEFT HAND OPPOSITE.