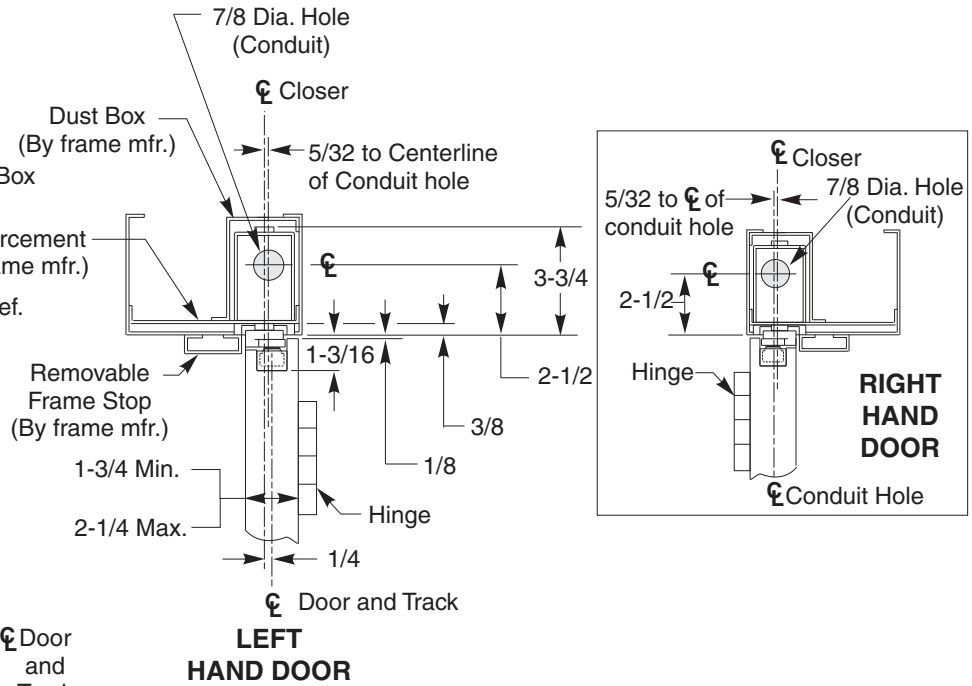


NOTES:

- Do not scale drawing.
- Left hand door shown.
- Hardware dimensions shown (not cutout).
- Dimensions are in inches.
- Minimum thickness recommended for reinforcements in hollow metal doors and frames: .1046" (2.66mm.) unless otherwise noted.
- Minimum door width 27 inches.
- Track is 24 inches long.
- Maximum width hinge is 5 inches.
- Door can swing to 180 degrees conditions permitting.



Fastener	Use	⊕ Preparation
1/4-20 machine screw	metal frame and metal door	#7 (.201" dia.) Drill 1/4-20 tap
#14 wood screw	wood door	7/32" Drill

FOR PRODUCTS PRODUCED AFTER 9-1-01

7290MPS Series Combination Door Closer-Holder and Releasing Device
 Overhead Concealed Closer with Rigid Slide Arm
 Door Closer Assembly Mounted in Hollow Metal Frame
 For Use on Doors Hung on 5" Wide Butt Hinges (max.)



ASSA ABLOY

www.nortondoorcontrols.com

TEMPLATE NUMBER	DATE
7372-1290	06-09