



Installation Instructions

7700/7730 Series Non Hold Open Models

7700
J7700
JL7700
P7700
J7730

ASSA ABLOY

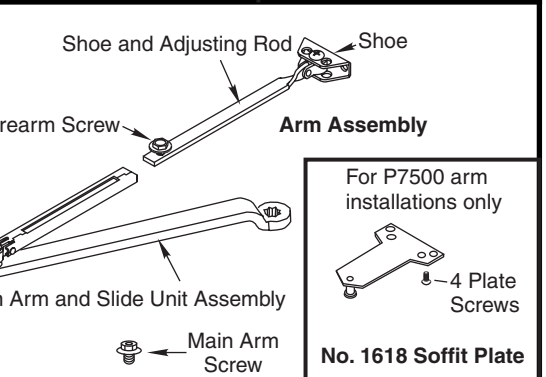
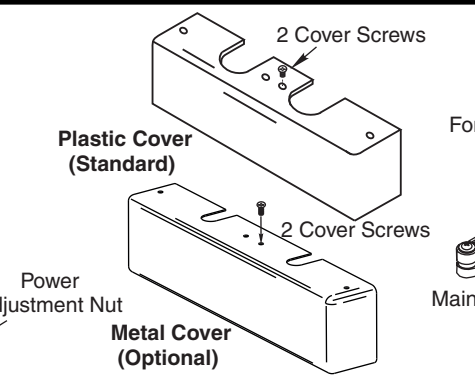
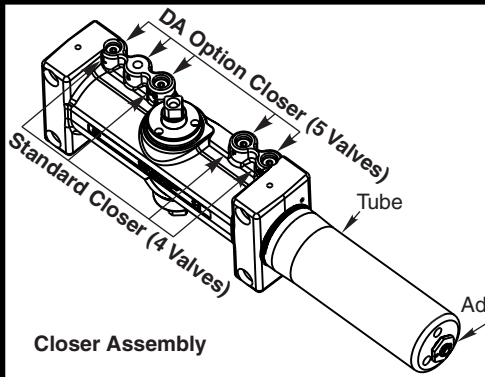
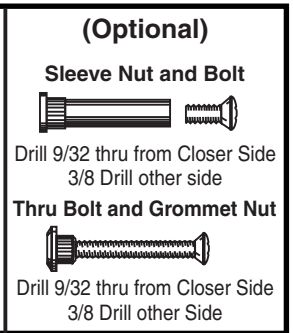
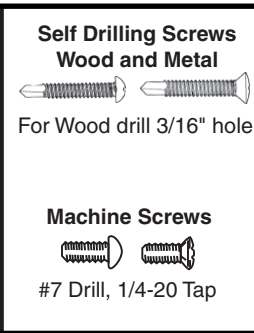
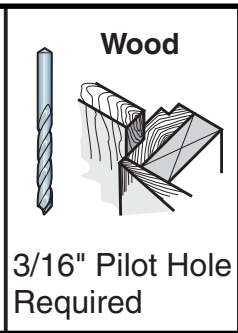
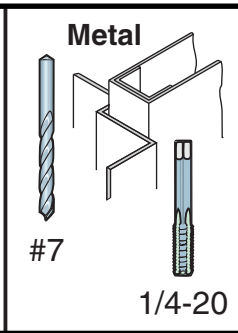
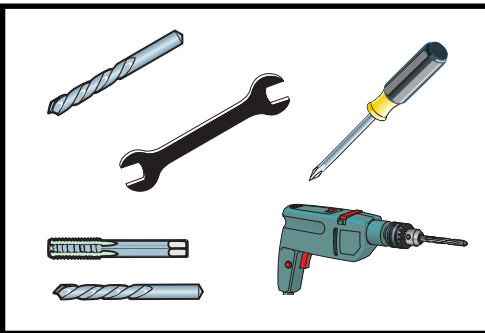
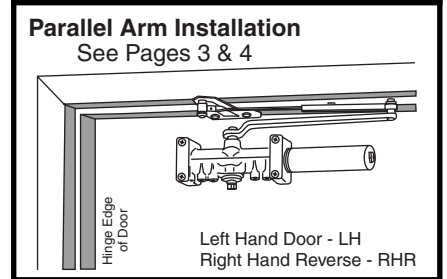
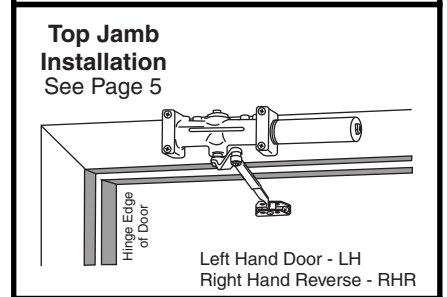
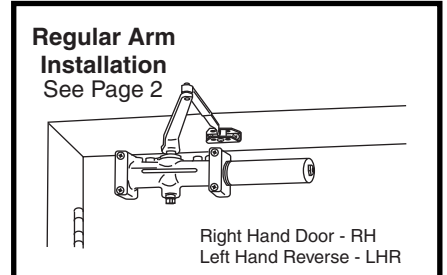
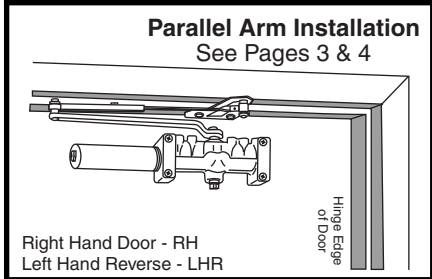
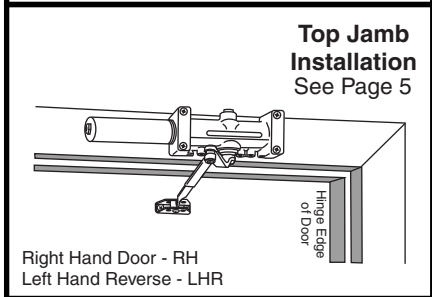
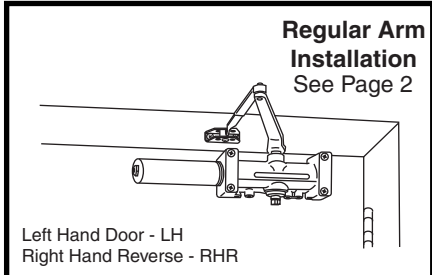


CAUTION An Incorrectly installed or improperly adjusted door closer can cause property damage or personal injury. These installation instructions should be followed to avoid the possibility of misapplication or misadjustment. **CAUTION**

"DA" suffix (Delayed Action) and "M" suffix (Metal Cover) are optional features.

NOTE: For special applications a separate door and frame preparation template is packed with these instructions. Use this instruction sheet for installation sequence and closer adjustments only.

- Doors should be hung on ball bearing or anti-friction hinges. Door must swing freely.
- A separate door stop is recommended.
- Door and frame must be properly reinforced.
- Adjust closing time speed between 3 and 7 seconds from 90° to 0°. Greater closing times may be required for elderly or handicapped.
- These door closers should NOT be installed on the exposed side (weather side) of exterior doors.



7700/7730 Series

Non Hold Open Door Closers — Regular Arm

1 Parts

Optional Covers

2 Mark and Drill Holes

Hinge or Pivot

Opening	Dimension A	
	inches	mm
To 100°	7-5/8	194
101° to 120°	6-5/8	168
121° to 150°	4-5/8	117
151° to 180°	4-1/8	105

Right Hand Shown
Inches (mm)

7786 Backplate Mounting Hole Only

3 Installation Sequence

Install closer with power adjustment nut toward lock edge of door.

Valves UP for right hand door—Valves DOWN for left hand door.

4 Power Adjustment (If Necessary)

“Spring Power Adjustment Nut”

DO NOT use a power drill or driver to turn adjustment nut. This will damage closer and void warranty.

Install closer per instructions with the proper pre-load applied to the arm then adjust spring power. The power adjustment will not work properly if the closer spring is not pre-loaded. To increase power, use 11/16" wrench to turn power adjustment nut clockwise. To decrease power, turn nut counter clockwise.

5 Sweep

S/D valve Standard Closer

S valve Delayed Action Closer

6 Latch

7 Backcheck

Caution: Don't completely close valve

8 Optional Cover

(2)

7700/7730 Series

Non Hold Open Door Closers — Parallel Arm

1 Parts

Parts list includes: Door closer, Parallel arm, Cover (Optional), and optional cover.

3 Installation Sequence

See Steps 4 - 10 for details.

Labels A through G indicate the sequence of parts to be installed on the door and jamb.

2 Mark and Drill Holes

Left Hand Shown

Inches (mm)

Opening	Dimension A		Dimension B	
	inches	mm	inches	mm
To 100°	8-3/4	222	9-1/4	235
101° to 130°	7-1/4	184	7-3/4	197
131° to 150°	6-1/4	159	6-3/4	171
151° to 180°	5-1/4	133	5-3/4	146

* Door/Wall/Hardware/Jamb conditions permitting

● 7788 Dropplate Mounting Hole Only

4 Close Valves

Adjustments for Latch, Standard Sweep, and Delayed Action Sweep are shown.

5 Install Closer and Bracket

Shows the door closer and bracket being secured to the door and jamb.

6 Preload Closer

Steps: Place Arm on Spindle, Rotate, Remove Arm from Spindle.

7700/7730 Series

Non Hold Open Door Closers — Parallel Arm

<p>7</p> <p>Right Hand Door</p> <p>or</p> <p>Left Hand Door</p> <p>Flat</p> <p>Flat</p> <p>B</p>	<p>8</p> <p>Open Valves</p> <p>Latch</p> <p>Standard Sweep</p> <p>Delayed Action Sweep</p> <p>Caution: Don't remove valves</p>	<p>9</p> <p>Assemble Arm</p>
<p>10</p> <p>Arm Screw</p> <p>1-1/2 (38)</p>	<p>11</p> <p>Power Adjustment (If Necessary)</p> <p>“Spring Power Adjustment Nut”</p> <p>DO NOT use a power drill or driver to turn adjustment nut. This will damage closer and void warranty.</p>	<p>12</p> <p>Sweep</p> <p>S/D valve Standard Closer</p> <p>S valve Delayed Action Closer</p>
<p>13</p> <p>Latch</p>	<p>14</p> <p>Backcheck</p> <p>Caution: Don't completely close valve</p>	<p>15</p> <p>Optional Cover</p> <p>(2)</p>

7700/7730 Series

Non Hold Open Door Closers — Top Jamb Arm

1 Parts

Optional Covers

2 Mark and Drill Holes

⌀ Hinge or Pivot

Opening	Dimension A	
	inches	mm
To 100°	7-5/8	194
101° to 120°	6-5/8	168
121° to 150°	4-5/8	117
151° to 180°	4-1/8	105

Left Hand Shown

Inches (mm)

● 7786 Backplate Mounting Hole Only

* Always use frame or transom rabbet as reference plane, not bottom of stop.

3 Installation Sequence

Install closer with power adjustment nut toward lock edge of door.

Valves UP for left hand door—Valves DOWN for right hand door.

4 Power Adjustment (If Necessary)

“Spring Power Adjustment Nut”

Install closer per instructions with the proper pre-load applied to the arm then adjust spring power. The power adjustment will not work properly if the closer spring is not pre-loaded. To increase power, use 11/16" wrench to turn power adjustment nut clockwise. To decrease power, turn nut counter clockwise.

DO NOT use a power drill or driver to turn adjustment nut. This will damage closer and void warranty.

5 Sweep

S/D valve Standard Closer

S valve Delayed Action Closer

6 Latch (L)

7 Backcheck (B)

Caution: Don't completely close valve

8 Optional Cover

7700/7730 Series Adjustments

Sweep

S/D valve
Standard Closer
(Shown)

S valve
Delayed Action Closer

Latch (L)

Backcheck (B)

(Use 1/8" Hex Wrench for these Adjustments)

Delayed Action

S/D - valve
(Note Delayed Action closers contain 5 valves)

S/D Valve

(Use 1/8" Hex Wrench for this Adjustment)

Power Adjustment

"Spring Power Adjustment Nut"

Install closer per instructions with the proper pre-load applied to the arm then adjust spring power. The power adjustment will not work properly if the closer spring is not pre-loaded. To increase power, use 11/16" wrench to turn power adjustment nut clockwise. To decrease power, turn nut counter clockwise.

DO NOT use a power drill or driver to turn adjustment nut. This will damage closer and void warranty.

Arm Placement in Shoe

7-1/2 % stronger

7-1/2 % weaker

ASSA ABLOY

3000 Highway 74 East • Monroe, NC 28112
Tel: (877)-974-2255 • Fax: (800)-338-0965
www.nortondoорcontrols.com