



# Installation Instructions

## CloserPlus Ramp™ Door Closers (CLP-R)

Model Numbers Included:

Series	Function	Sizing
CLP7500R	HO	1-6
CLP770XR	HO	2 THRU 6

"X" Designates closer size 2, 3, 4, 5, or 6

# ASSA ABLOY

**CAUTION**

An incorrectly installed or improperly adjusted door closer can cause property damage or personal injury. These instructions should be followed to avoid the possibility of misapplication or misadjustment.

**CAUTION**

Additional Closer Options:

- "DA" indicates Delayed Action closing
- "R" indicates Ramp Hold-Open function, not handed

Optional Accessories:

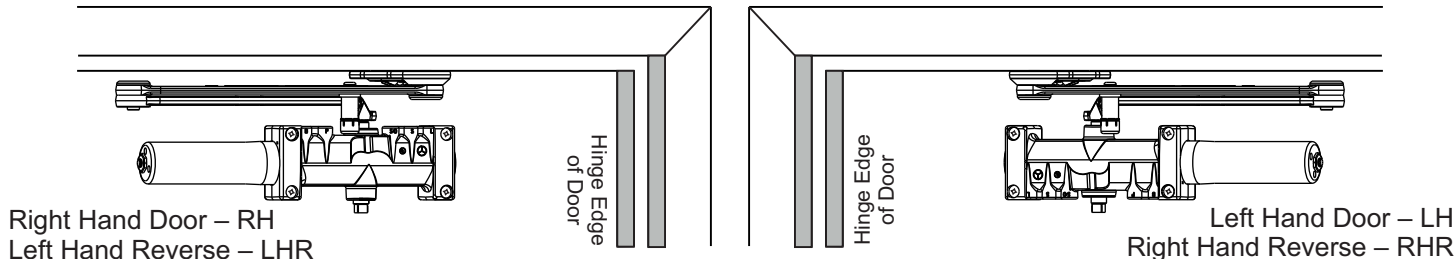
- 7788 Drop Plate
- 2019L, 6890, 6891 Soffit Plate Accessories

NOTE: For special applications a separate door and frame preparation template is packed with these instructions. In those cases, use this instruction sheet for installation sequence and closer adjustments only.

### Standard Frame Installation

Closer mounts on opposite to hinge (push) side of door.

See Pages 3 and 4

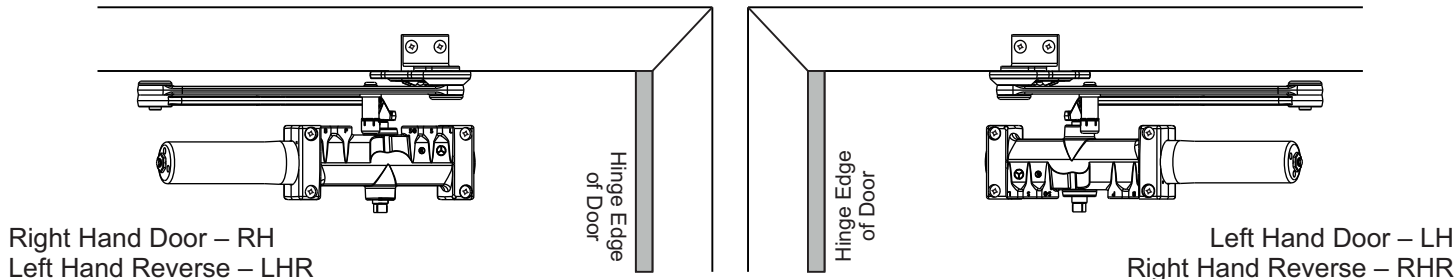


### Narrow Frame Installation

Closer mounts on opposite to hinge (push) side of door.

6890 and 6891 accessories required for this application (supplied separately).

See Pages 3 and 4

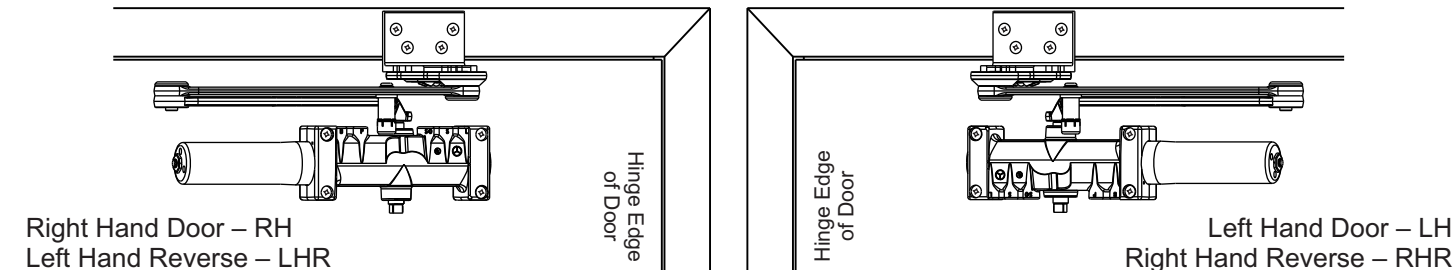


### Flush Partition Installation

Closer mounts on opposite to hinge (push) side of door.

2019L accessory required for this application (supplied separately).

See Pages 3 and 5



### Components

### Optional Accessories

- For Blade Stop  
6891 Spacer
- For Frame  
or Blade Stop  
6890 Bracket
- For Flush Partition  
2019L Bracket

### Cover Options

#### Plastic Cover (Standard)

#### Metal Cover (Optional)

Preparation for Fasteners			
	Fasteners	Door or Frame	Drill-Sizes
<b>Standard</b>	Self-Drilling Screw	Aluminum or Metal	No drill required
		Wood	3/16" (4.80 mm) Pilot hole required
	1/4" - 20 machine screw	Metal	Drill: #7 (0.201" dia.)(5mm) Tap: 1/4" - 20
<b>Optional</b>	Sleeve nuts and bolts	Hollow Metal	9/32" (7 mm) thru; 3/8" (9.5 mm) door face opposite to closer
		Aluminum or Wood	3/8" (9.5 mm) through
	Through-bolts and grommet-nuts	All	9/32" (7 mm) thru; 3/8" (9.5 mm) dia. x 3/8" (9.5 mm) deep on door opposite to closer

**Note:** Wood doors **MUST** be pre-drilled when using Self-Drilling Screws.

## Installation Instructions

- Select angle of opening and use dimensions shown on Page 4 and Dimension Chart below to locate 4 holes on door for closer body (or 4 holes for 7788 Drop Plate, Page 6, only if required) and 5 holes on stop/rabbit for Soffit Plate (or 4 holes on frame transom for 2019L bracket, only if required). For applications not covered in these instructions, a separate template will be required.

- Prepare door and frame for fasteners using "Preparation for Fasteners" chart on Page 2.

- Install closer body to door, or 7788 Drop Plate, with power adjustment shaft **away** from hinge edge of door and adjustment valves:

**Down for Left Hand**  
**Up for Right Hand**

*Mount 7788 Drop Plate to door ... only if used (see Page 6).*

- Install Main Arm: Close valves ('S/D' or 'S') and 'L', then using a wrench, rotate the pinion shaft at least 50° to permit alignment of the **Pinion Flat** with the proper arm mark:

**'Z' for Left Hand**  
**'Y' for Right Hand**

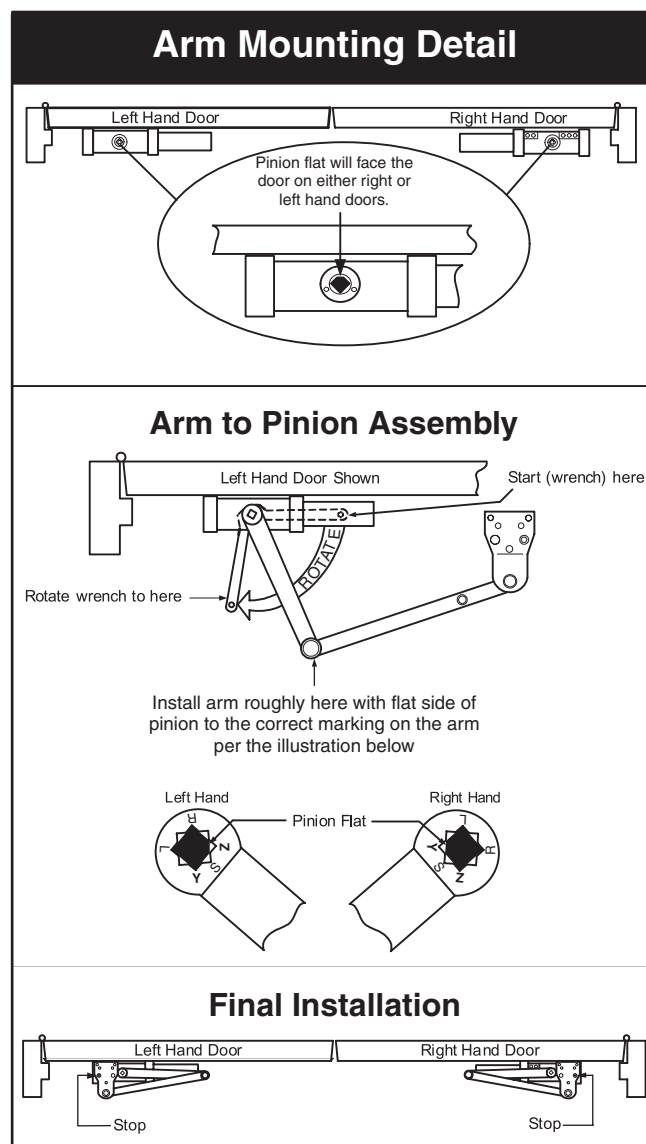
See below right for illustrations of this procedure.

- Reopen valves ('S/D' or 'S') and 'L', that were closed in previous step.
- With door closed, align soffit plate with holes in frame and fasten to frame with screws. Use 2019S and/or 6891 spacer blocks or 6890 reinforcing bracket as required.
- 7500 Series Closers only:  
Closer is shipped from factory set at mid-range. Using "Power Adjustment" chart below, rotate power adjustment shaft with 1/8" allen wrench supplied: Turn **CLOCKWISE** to **increase** power. Turn **COUNTER-CLOCKWISE** to **decrease** power. See Page 7 for the illustration of this step.
- Make adjustments to closer before installing cover. See Page 7 for closer adjustment instructions.  
**CAUTION: Do Not back valves out of closer body or a fluid leak will result.**
- Install cover.

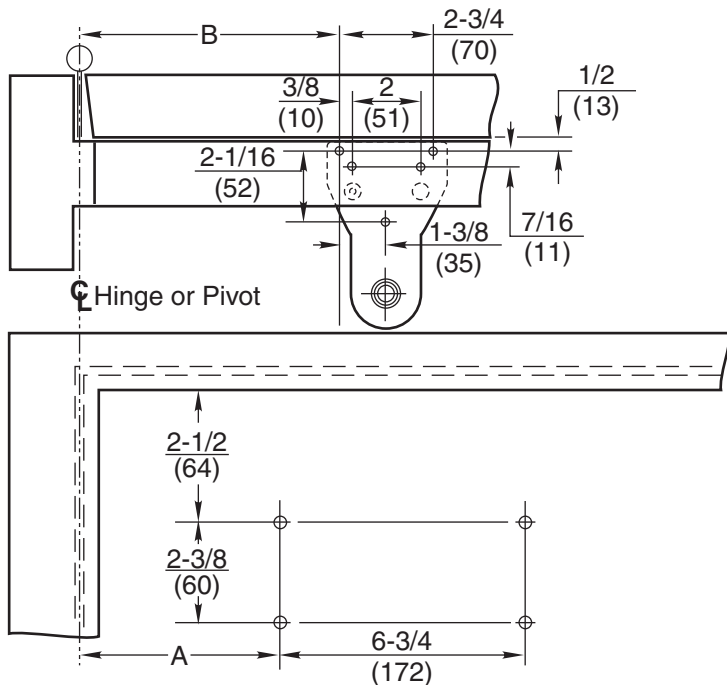
Power Adjustment Chart						
DOOR	Dim	*	MAXIMUM DOOR SIZE			
			32" (0.81m)	36" (0.9 m)	42" (1.1 m)	48" (1.2 m)
INT	CLP7500	FULL 360 DEGREE TURNS OF POWER ADJUSTMENT SHAFT	0	3	5	8
EXT			4	6	8	12
INT	CLP7700		0	2	5	8
EXT			2	5	8	11

\*17 - 360°, MAXIMUM AVAILABLE

Installation Dimensions Chart							
	Dim	Up to 90°	90°- 95°	95°- 100°	100°- 105°	105°- 110°	110°- 115°
CLP7500/ CLP770X	A in./ (mm)	10-1/8 (257)	9-1/4 (235)	8-5/8 (219)	7-7/8 (200)	7-3/8 (187)	6-3/4 (171)
	B in./ (mm)	10-5/8 (270)	9-3/4 (248)	9-1/8 (232)	8-3/8 (213)	7-7/8 (200)	7-1/4 (184)
	C in./ (mm)	10-3/4 (273)	9-7/8 (251)	9-1/4 (235)	8-1/2 (216)	8 (203)	7-3/8 (187)



## Standard Frame


**Notes:**

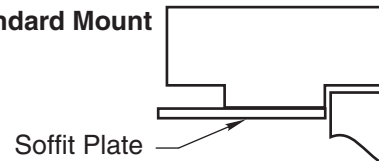
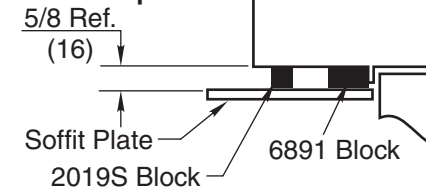
Do Not Scale Drawing.

Left Hand Door Shown.

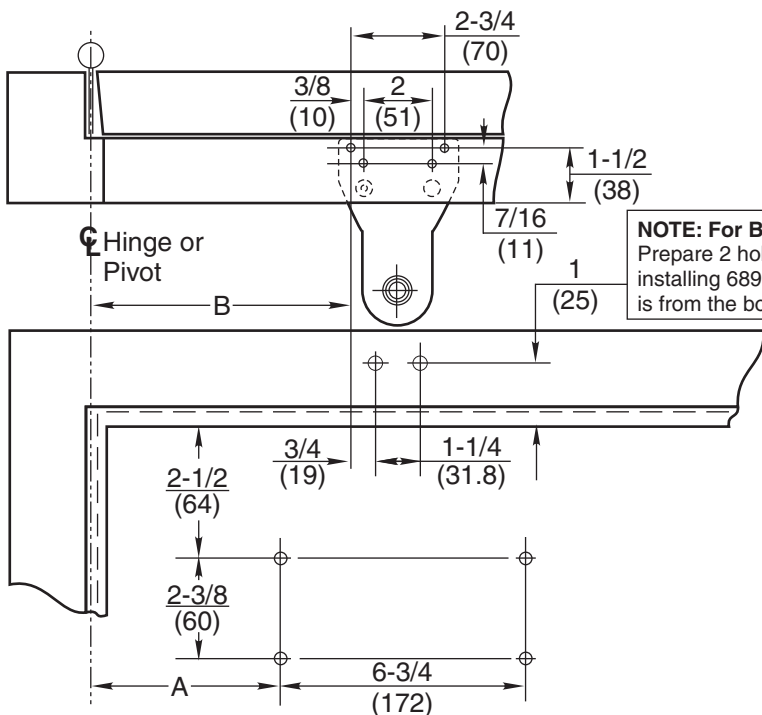
Same dimensions apply for Right Hand Door measured from centerline of pivot point.

Dimensions are in inches (mm).

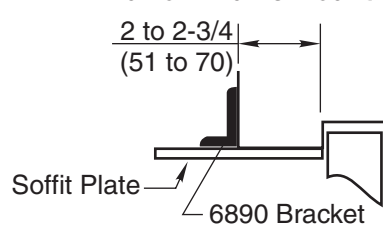
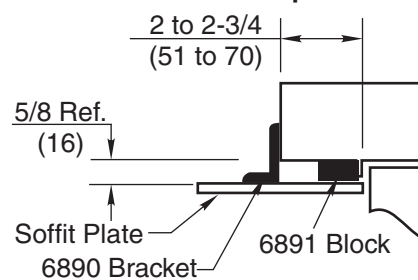
See Page 3 for A, B, &amp; C dimension values.

**Standard Mount**

**Blade Stop Mount**


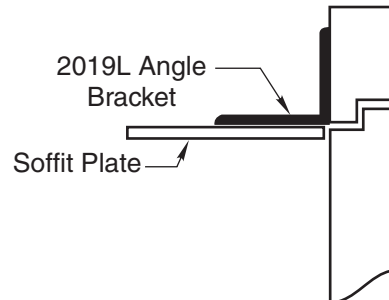
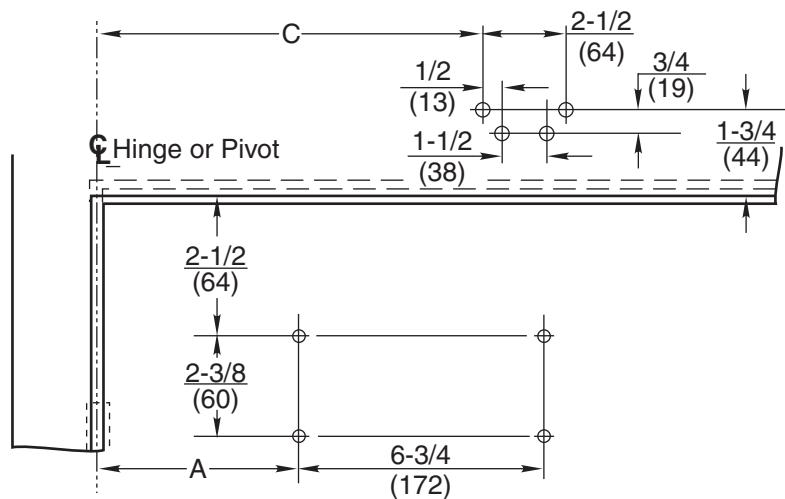
## Narrow Frame



**NOTE: For Blade Stop Mounting only.**  
Prepare 2 holes for 6890 bracket after installing 6891 block. The 1" dimension is from the bottom of the 6891 block.

**Narrow Frame Mount**

**Blade Stop Mount**


# Flush Partition



# 7788 Drop Plate Mounting Holes

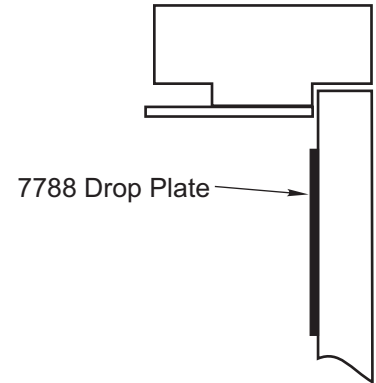
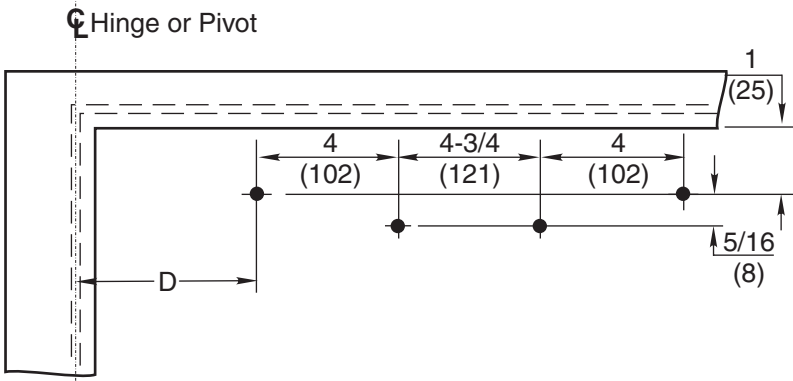
**Notes:**

Left Hand Door Shown.  
 Same dimensions apply for Right Hand Door measured from centerline of pivot point.  
 Dimensions are in inches (mm).  
 See Chart below for D dimension values.

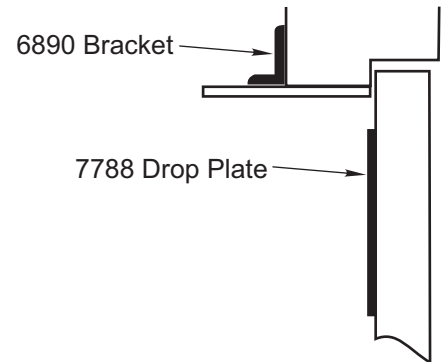
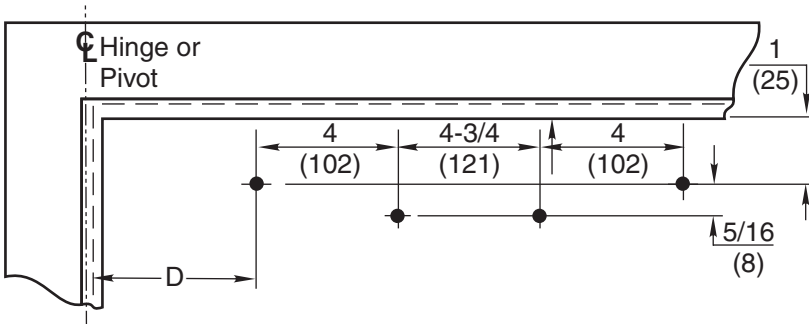


**ASSA ABLOY**

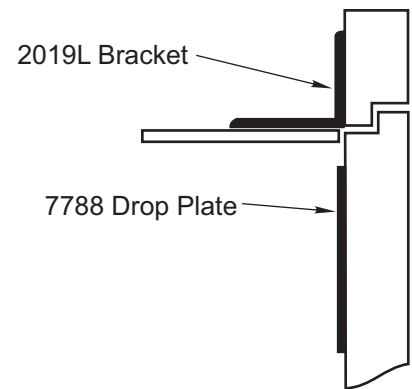
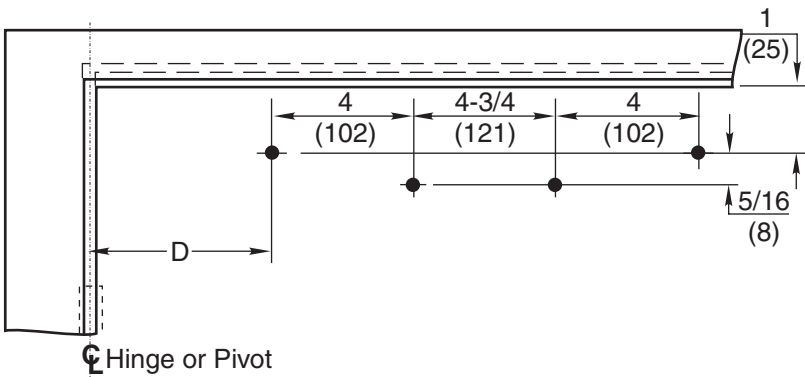
## Standard Frame



## Narrow Frame



## Flush Partition



Installation Dimensions Chart							
	Dim	Up to 90°	90-95°	95-100°	100-105°	105-110°	110-115°
CLP7500R	D	9-7/8 (251)	9 (229)	8-3/8 (213)	7-5/8 (194)	7-1/8 (181)	6-1/2 (165)
CLP7500XR	inch/(mm)						

# Unit Adjustment

## Control Valve Adjustments

(See Figure 3.)

### Closing Speed Controls (Figure 2A or 2B and 3.)

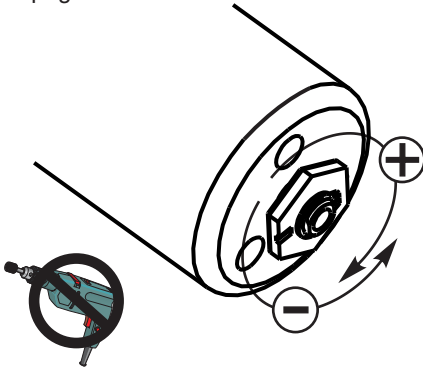
- Valve "S" Controls Sweep Range.
- Valve "L" Controls Latch Range.

## Closing Power Control

Figure 1

### For 7500 Series Only

Set closer to desired size. For recommended sizes, refer to the Power Adjustment Chart on page 3.

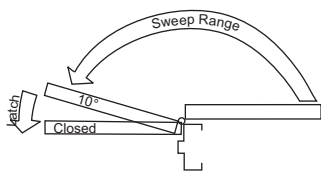


Install closer per instructions with the proper pre-load applied to the arm then adjust spring power. The power adjustment will not work properly if the closer spring is not pre-loaded. To increase power, use 11/16" wrench to turn power adjustment nut clockwise. To decrease power, turn nut counter clockwise.

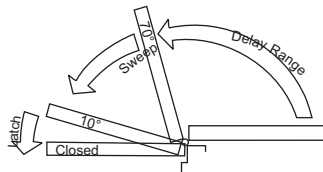
**DO NOT** use a power drill or driver to turn adjustment nut. This will damage closer and void warranty.

## Closing Speed Controls

Figure 2



Standard Closing Cycle **2A**

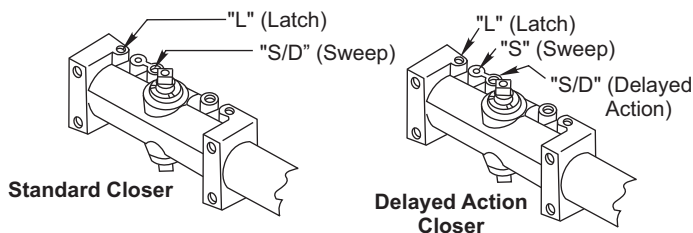


Delayed Action Closing Cycle **2B**

Adjust Closing Speed Time to between 3 to 7 seconds from 90°. Use of the door by handicapped, elderly or small children may require greater closing time.

## Closing Speed Controls

Figure 3



Do not force valves counter-clockwise out of closer body or a fluid leak will occur.

Slow  
Fast

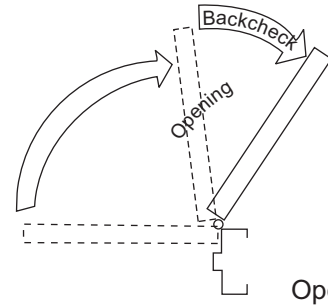
All Valves

## Opening Cycle

"Backcheck" valve controls the strength of cushioning in Backcheck Range. NEVER close this valve completely – it is not to provide a positive stop. (see Figure 4 and Figure 5).

## Opening Door Controls

Figure 4



Opening Cycle

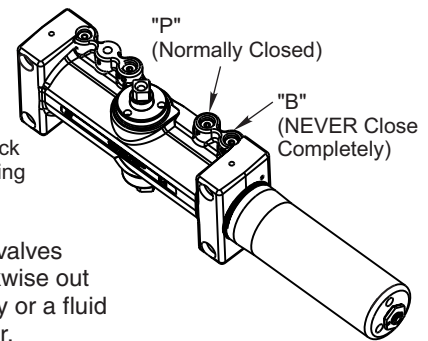
## Backcheck

Figure 5

### Backcheck Position



Open for backcheck later in door-opening cycle.



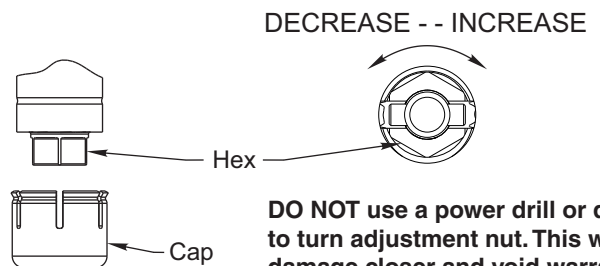
### Backcheck Cushion Increase



Do not force valves counter-clockwise out of closer body or a fluid leak will occur.

## Hold-Open Feature

The hold-open mechanism is controlled by the hex nut feature located on the secondary arm underneath cap. Remove the cap by pulling straight down. Use a 7/16" wrench to adjust. Turning hex nut feature clockwise will increase the hold-open force. Turning hex nut feature counterclockwise will reduce the hold-open force. Hold-open mechanism can not be disengaged.



3000 Highway 74 East • Monroe, NC 28112  
Tel: (877)-974-2255 • Fax: (800)-338-0965  
www.nortondoorcontrols.com

ASSA ABLOY, the global leader in door opening solutions

80-9377-2208-020 (04-14)

Page Left Blank  
Intinially