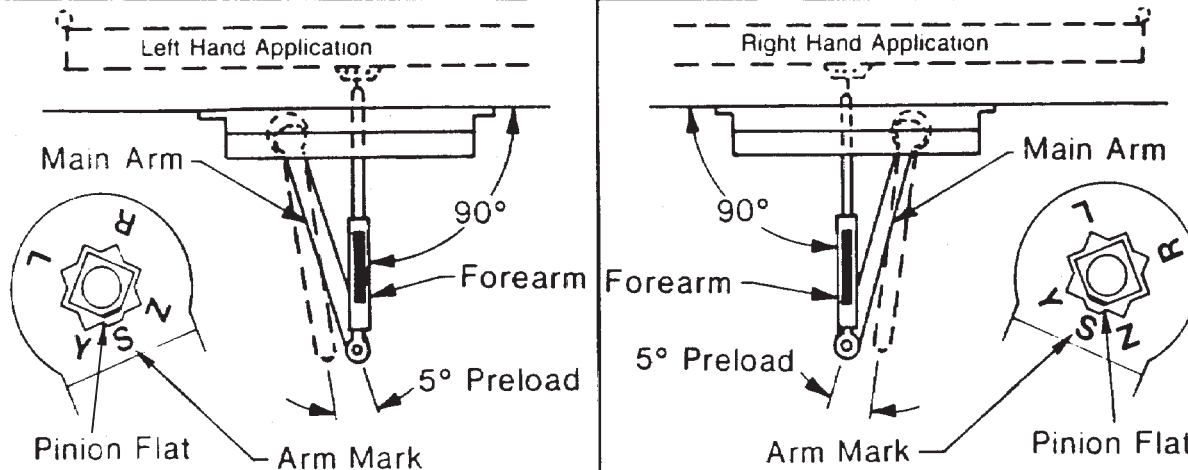


Position of Arm & Pinion Flat



- Do not scale drawing.
- Left hand door shown.
- Dimensions are in inches (mm.).
- Hollow metal doors require channel or box type reinforcement when thru bolt mount is specified.
- Sex bolts required for wood or plastic faced fire door mounting.
- Minimum thickness recommended for reinforcements in hollow metal doors and frames: .1046" (2.66 mm.) unless otherwise noted.
- Use regular length rod for reveals to 3" (76 mm.). Use long rod for reveals 2-3/4" (70 mm.) to 6-3/4" (171 mm.).

J8000 Series Door Closer
Top Jamb Application With 8148 Drop Plate
J8100, J8300, and J8500
Sizes 1 thru 6

Norton

ASSA ABLOY

www.nortondoorcontrols.com

TEMPLATE NUMBER

7380-0154

DATE

09-08