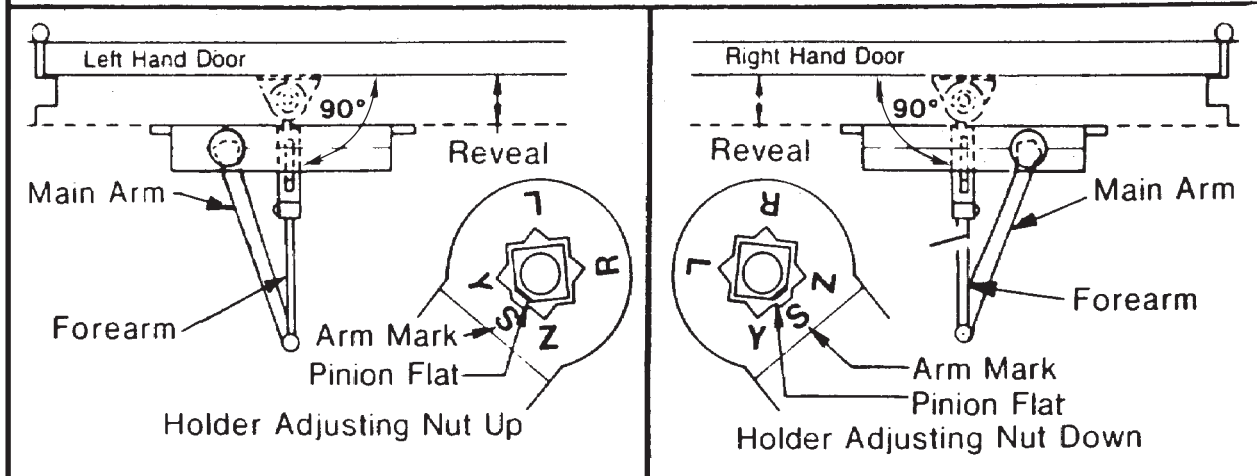


Position of Arm and Pinion Flat



- Do not scale drawing.
- Left hand door shown.
- Dimensions are in inches (mm.).
- Hollow metal doors require channel or box type reinforcement when thru bolt mount is specified.
- Six bolts required for wood or plastic faced fire door mounting.
- Minimum thickness recommended for reinforcements in hollow metal doors and frames: .1046" (2.66 mm.) unless otherwise noted.
- Use regular length rod for reveals to 3" (76 mm.). Use long rod for reveals 2-3/4" (70 mm.) to 6-3/4" (171 mm.).

J8000H Series Door Closer
Top Jamb Hold Open Application with 8146 Back Plate
J8100H, J8300H, and J8500H
Sizes 1 thru 6

Norton

ASSA ABLOY

www.nortondoorcontrols.com

TEMPLATE NUMBER

7380-0153

DATE

09-08