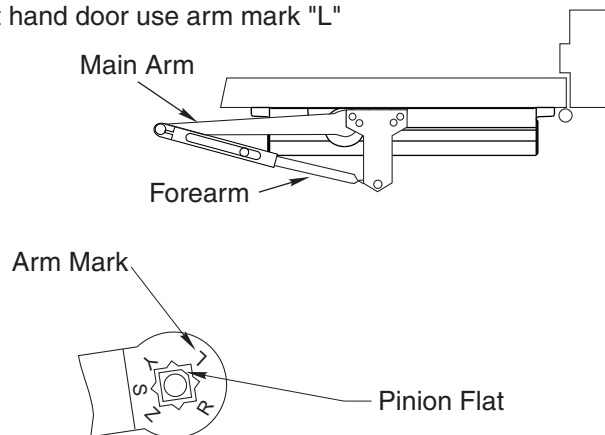


Opening	Dimension "A"		Dimension "B"	
	inches	mm.	inches	mm.
To 120°	9-5/8	244	3-3/4	95
Over 120°	7-1/8	181	1-1/4	32

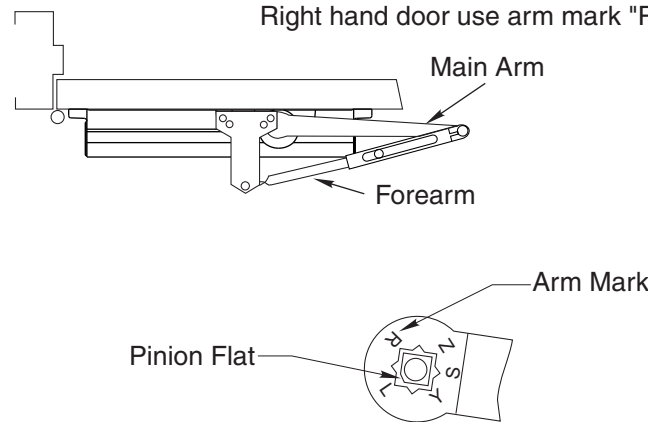
◆ Prepare These Holes Only When Drop Plate 8148 is Used

POSITION OF ARM MARK AND PINION FLAT

Left hand door use arm mark "L"



Right hand door use arm mark "R"



- Do not scale drawing.
- Left hand door shown.
- Dimensions are in inches (mm.).
- Hollow metal doors require channel or box type reinforcement when thru bolt mount is specified.
- Sex bolt required for wood or plastic faced fire door mounting.
- Minimum thickness recommended for reinforcements in hollow metal doors and frames: .1046" (2.66 mm.) unless otherwise noted.

P8000 Series Door Closers
Parallel Arm Application With 2022 Bracket
With or Without 8148 Drop Plate
P8100, P8300, and P8500 – Sizes 1 - 6



ASSA ABLOY

www.nortondoorcontrols.com

TEMPLATE NUMBER

7380-0203

DATE

09-08