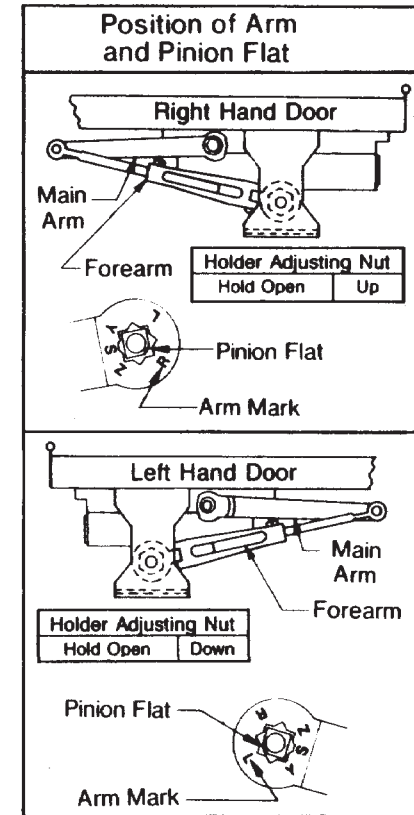
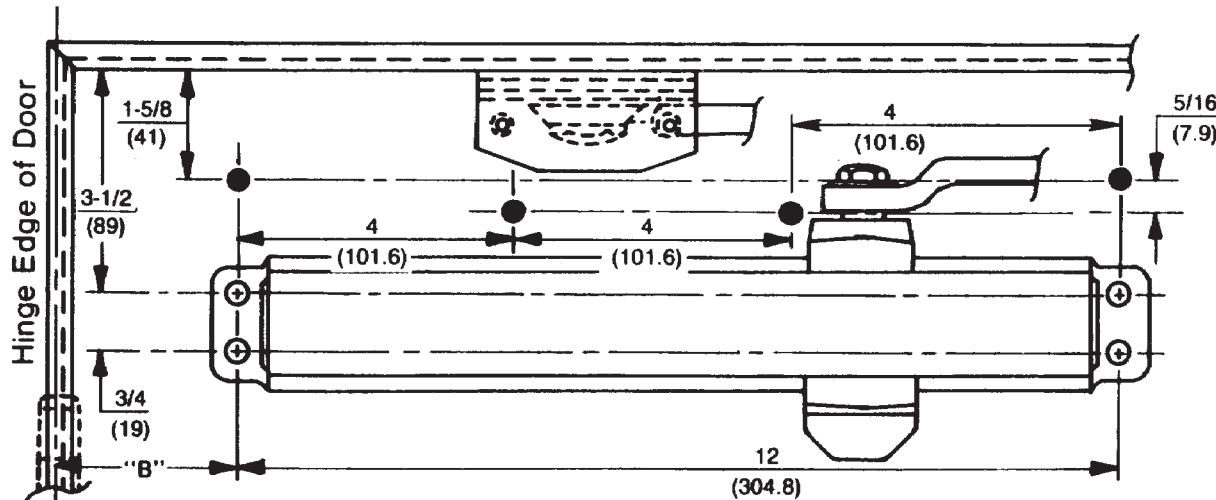


Opening	Dimension "A"		Dimension "B"	
	inches	mm.	inches	mm.
To 120°	9-1/2	241	3-3/4	95
Over 120°	7	178	1-1/4	32



- Do not scale drawing.
- Left hand door shown.
- Dimensions are in inches (mm.).
- Hollow metal doors require channel or box type reinforcement when thru bolt mount is specified.
- Sex bolt required for wood or plastic faced fire door mounting.
- Minimum thickness recommended for reinforcements in hollow metal doors and frames: .1046" (2.66 mm.) unless otherwise noted.

**P8000H Series Door Closers  
Parallel Hold Open  
With or Without 8148 Drop Plate  
P8100H, P8300H, and P8500H  
Sizes 1 thru 6**

**Norton**

ASSA ABLOY

www.nortondoorcontrols.com

TEMPLATE NUMBER

**7380-0211**

DATE

**09-08**