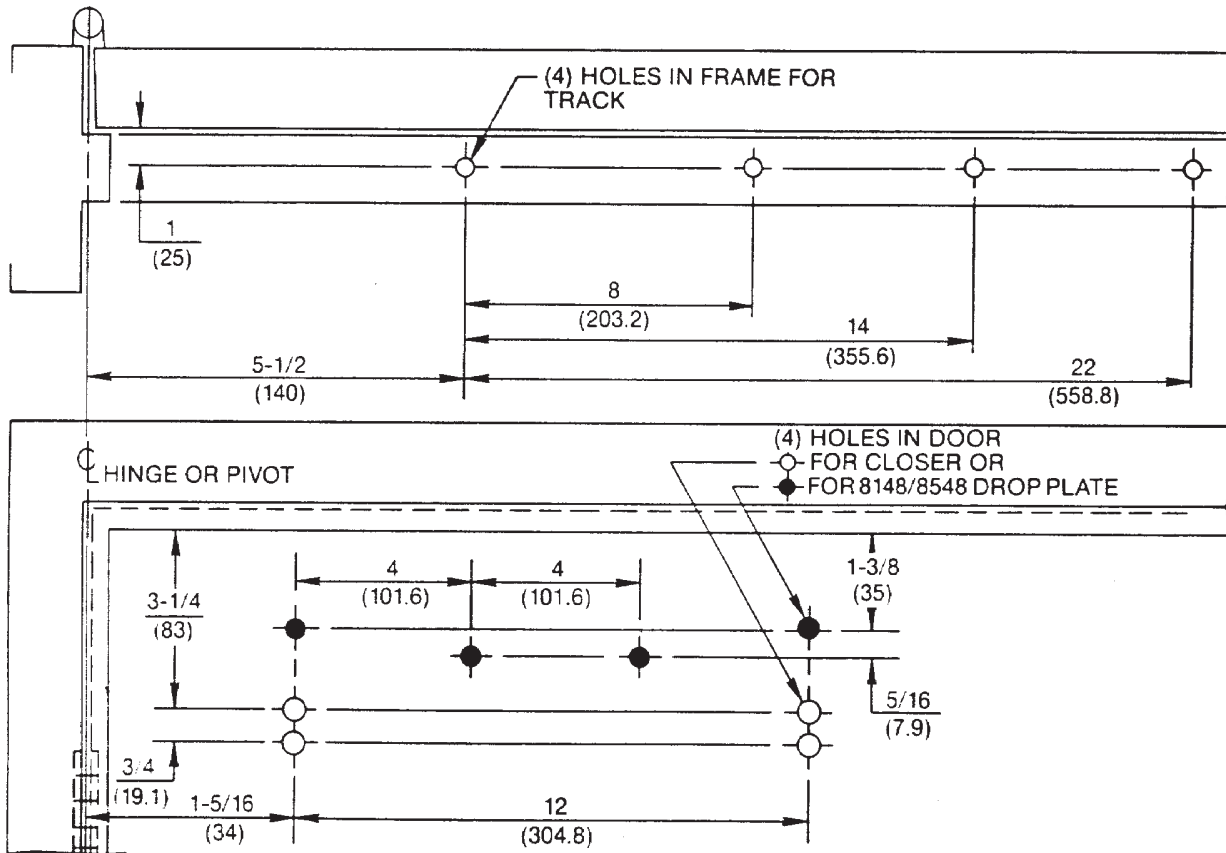


**IMPORTANT: From centerline of pivot point to end of track is 28" (711 mm)**



- Left hand door shown.
- Do not scale drawing.
- Dimensions are given in inches (mm).
- Maximum door opening:
  - Non Hold Open with buffer assembly in track - 100°
  - Non Hold Open without buffer assembly in track - 125°. Auxilliary stop required.
  - Hold Open - 100°

**Preparation for Fasteners**

Fasteners	Door or Frame	Drill-Sizes
#14 type "A" S.M. screw	Wood	3/16" (4.30mm.)
1/4"-20 machine-screw	Metal	drill: #7 (.201") tap: 1/4"-20
Sex-nuts and bolts (Optional)	Hollow-Metal	9/32" (7.00mm.) through; 3/8" (9.50mm.) door-face opposite to closer
	Aluminum or Wood	3/8" (9.50mm.) through
Through-bolt and grommet-nuts (Optional)	All	9/32" (7.00mm.) through; 3/8" (9.50mm.) dia. x 3/8" (10mm.) deep door-face opposite to closer

**PS8300ST / PS8500ST Series Non Hold Open Door Closers  
 PS8300ST-H / PS8500ST-H Series Hold Open Door Closers  
 Opposite to Hinge Side Slide Track Application  
 With or Without Drop Plate**



ASSA ABLOY

www.nortondoorcontrols.com

TEMPLATE NUMBER

**7380-0520**

DATE

**09-08**