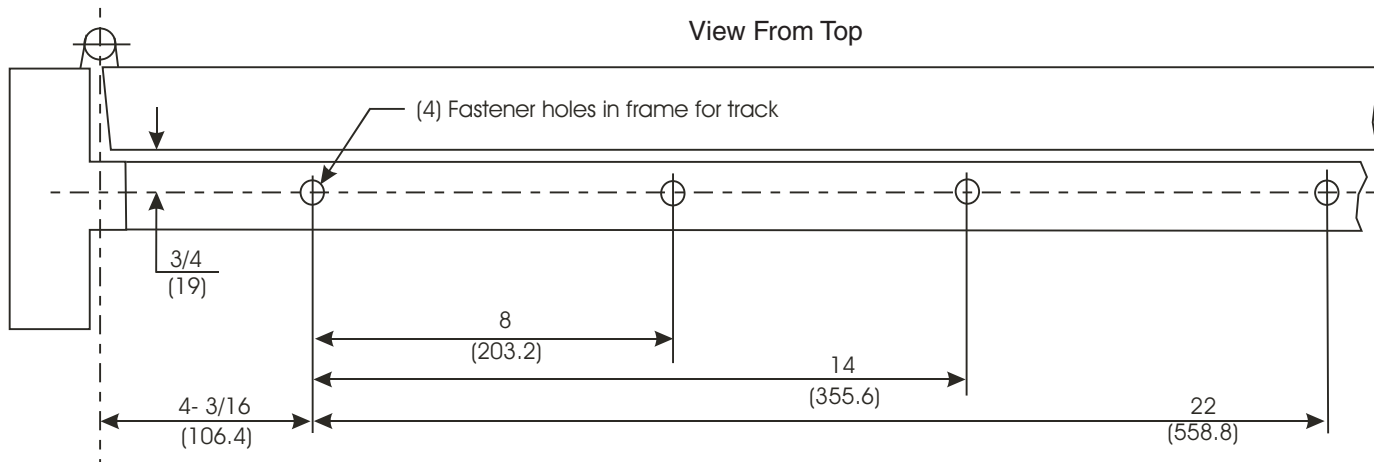
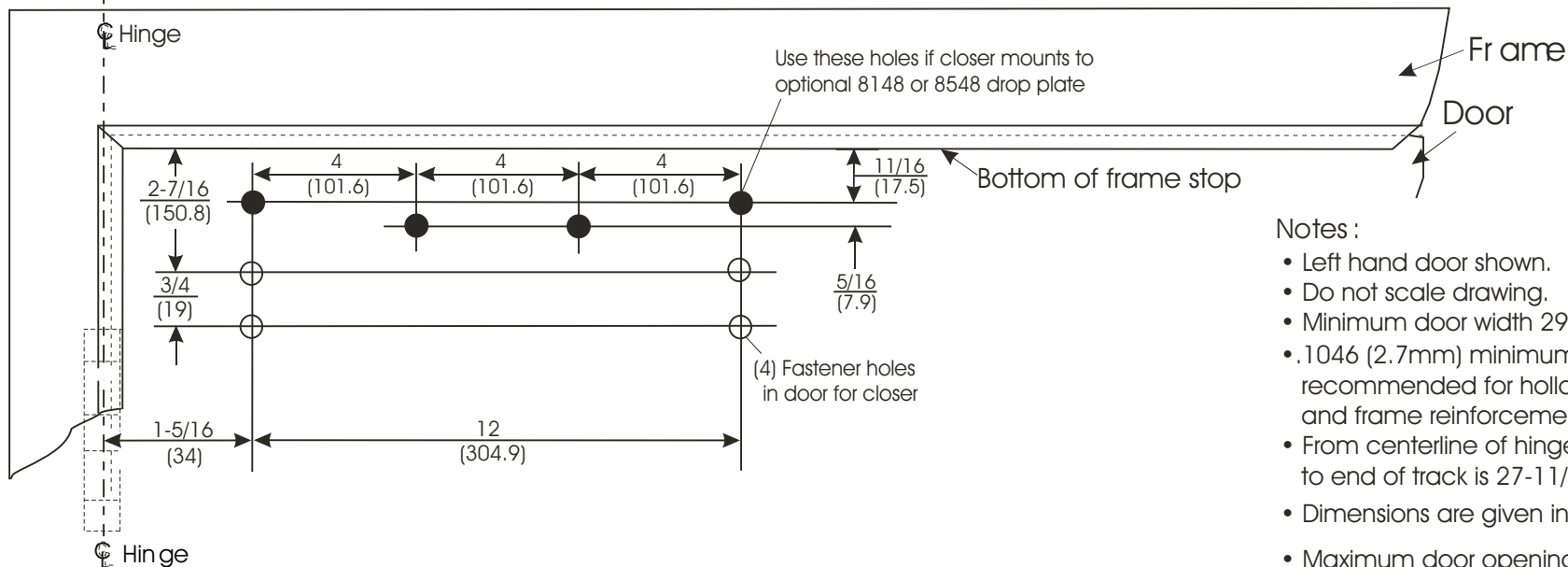


View From Top



Preparation for Fasteners		
Fasteners	Door or Frame	Drill Sizes
#14 type "A" S.M. screw Closer: 1-1/4" (32mm) Track: 2-3/4" (70mm)	Wood	7/32" (5.56mm)
1/4" -20 machine screw	Metal	drill: #7 (.201") tap: 1/4" -20
Sex-nuts and bolts	Hollow Metal	9/32" (7.00mm) through 3/8" (9.50mm) door-face opposite to closer
	Aluminum or Wood	3/8" (9.50mm) through
Through-bolts and grommet-nuts (Optional)	All	9/32" (7.00mm) through; 3/8" (9.50mm) dia. x 3/8" (10mm) deep door-face opposite to closer



Notes:

- Left hand door shown.
- Do not scale drawing.
- Minimum door width 29" (736.6mm).
- .1046 (2.7mm) minimum thickness recommended for hollow metal door and frame reinforcement.
- From centerline of hinge or pivot point to end of track is 27-11/16" (703.3mm)
- Dimensions are given in $\frac{\text{inches}}{\text{(mm)}}$
- Maximum door opening: 120°.
- Use of auxiliary door stop may be required, to prevent damage to door, frame, or hinges, conditions permitting.

PS8340ST, PS8540ST Series Non Hold Open Door Closer
 PS8340STH, PS8540STH Series Hold Open Door Closer
 Push (Stop) Side Slide Track Application
 Closer Sizes 1, 4, 5, or 6

Norton

ASSA ABLOY

www.nortondoorcontrols.com

TEMPLATE NUMBER

7380-1520

DATE

09-08