

8000H

Non Handed Door Closer

Regular Arm

Top Jamb Mount

Parallel Arm

With or without DA suffix (delayed action)

Hold Open Arm Models

Adjustable
(Sizes 1-6)
8101H
8301H
8501H



Norton®

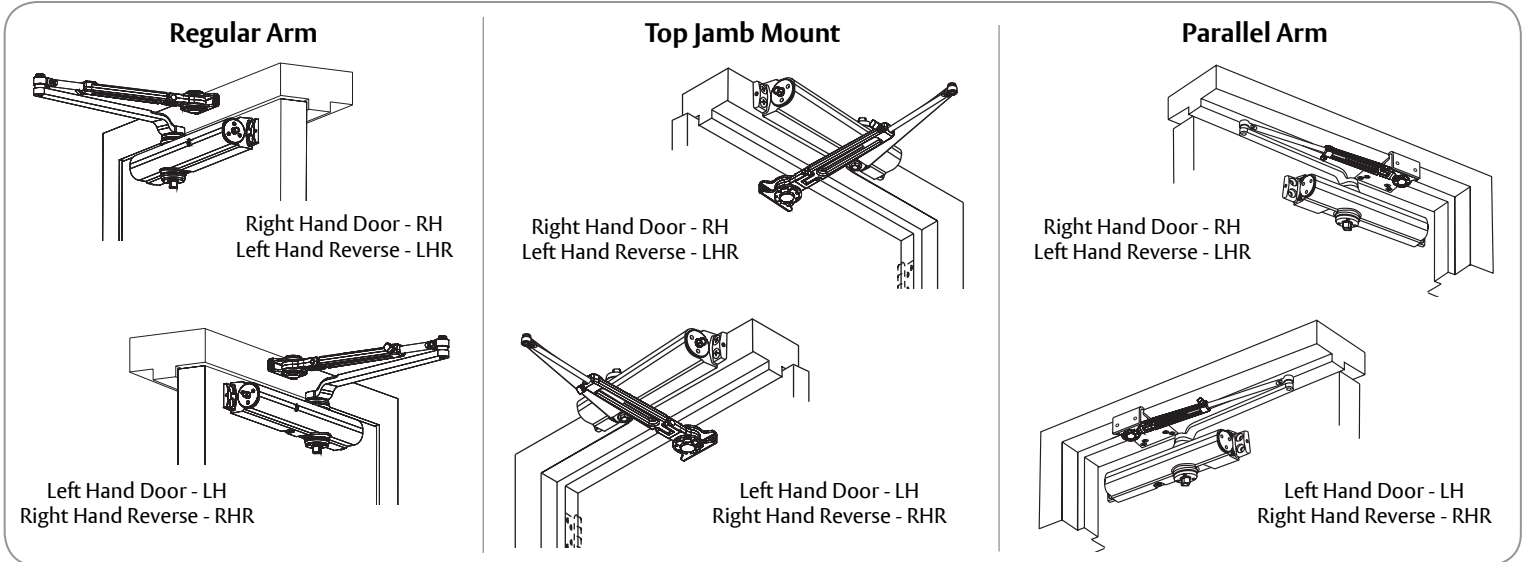
ASSA ABLOY

ASSA ABLOY, the global leader in door opening solutions

! WARNING

This product can expose you to lead which is known to the state of California to cause cancer and birth defects or other reproductive harm. For more information go to www.P65warnings.ca.gov.

Ce produit peut vous exposer au plomb qui, dans l'état de la Californie, est reconnu pour causer le cancer, des anomalies congénitales ou d'autres problèmes de reproduction. Pour plus d'informations, visitez: www.P65warnings.ca.gov.



*Included Components

DA Option

**Pinion Cap

Wrench

Screw Pack

Optional Plates

8148 Plate

Soffit Adapter Plate
1628H Soffit Plate
Used with Parallel Arm Closers Only

Optional Covers

8200P/8200PG Slim Line for 8300 Series

8400P/8400PG Standard, Plastic or 8400M, Metal for 8500 Series

8400A/8400AG Architectural, Plastic or 8400MA, Metal for 8500 Series

Arm Assembly

*See page 2 for mounting hardware.
** Pinion Cap not included with Slim Line Cover

Legacy Friction Hold Open Arm

Note: Legacy FHO arm has installation orientation. See 80-9300-0003-000 for details.

To Identify Your Model:

Closer Size
Blank = 8101
8301
8501

Mfg. Date

To Determine Your Hand of Door:

Right Hand Door

Left Hand Door

LEFT HAND DOOR

RIGHT HAND DOOR

Tools Needed

Tape Measure Punch Pencil Phillips Screwdriver Adjustable Wrench

Drill

#7 1/4-20 3/16" 9/32" 3/8"

AND






for Metal for Wood for Either Nut and Bolt Option

Before You Begin

ATTENTION:

An incorrectly installed or improperly adjusted door closer can cause property damage or personal injury. These installation instructions should be followed to avoid the possibility of misapplication or misadjustment.

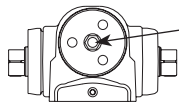
- “DA” suffix (Delayed Action) is an optional feature.
- For special applications, a separate door and frame preparation template is packed with these instructions. Use this instruction sheet for installation sequence and closer adjustments only.
- Doors should be hung on ball bearing or anti-friction hinges.
- A separate door stop is recommended.
- Always consult door/frame manufacturer for fastener compatibility.
- Door and frame must be properly reinforced.
- Adjust closing time speed between 3 and 7 seconds from 90° to 0°. Greater closing times may be required for elderly or handicapped.
- These door closers should NOT be installed on exposed side (weather side) of exterior doors.
- Dimensions are given in inches (millimeters).

| Mounting Hardware | | Door or Frame | Drill |
|---|--|------------------|--|
|  | Closer, H/O Shoe or Optional PA Bracket: 1/4-14 x 1-1/2 Oval Flat Head Mach. Screw | Wood | 3/16" (4.76mm) |
|  | Closer, H/O Shoe or Optional PA Bracket: 1/4-20 x 3/4 Oval Flat Head Mach. Screw | Metal | Drill #7 (.201 dia. or 5.10mm) Tap 1/4-20 |
|  | H/O Shoe to Optional PA Bracket: 1/4-20 x 1/2 Oval Flat Head Mach. Screw | | |
|  | Closer: Sleeve Nut and Bolt (SNB) (optional) | Hollow Metal | 9/32" (7.00mm) thru 3/8" (9.50mm) door face opposite to closer |
| | | Aluminum or Wood | 3/8" (9.50mm) thru |
|  | Closer: Thru Bolt and Grommet Nut (TBGN) (optional) | All | 9/32" (7.00mm) thru 3/8" (9.50mm) dia. x 3/8" (9.500mm) deep, door face opposite to closer |

Closer Adjustments



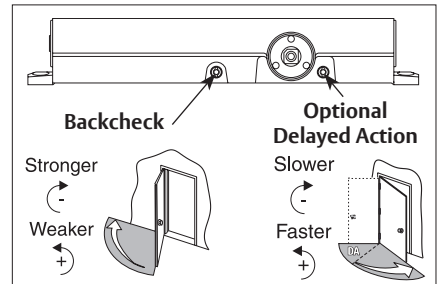
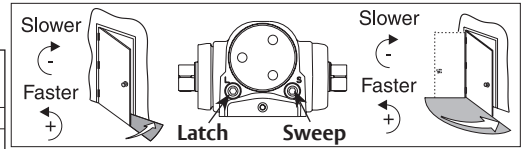
Use provided hex wrench to turn valves. NEVER force valves out of closer. NEVER completely close backcheck valve.



Door must be open to adjust spring closing power. Refer to chart. **Do not use a power drill. Warranty will be void.**

| Spring Closing Power | | | | Number of Turns Required | | | |
|----------------------|---------------|----------------------|-----------------|--------------------------|-------------|-------------|-------------|
| DOOR | TYPE OF INST. | * | ★ | MAXIMUM DOOR SIZE | | | |
| | | | | 34" (0.85M) | 36" (0.90M) | 42" (1.05M) | 48" (1.20M) |
| 8100, 8300, 8500 | INTERIOR | Regular Arm Top Jamb | FULL 360° TURNS | 5 | 8 | 11 | 13 |
| | INTERIOR | Parallel Arm | | 7 | 10 | 13 | 16 |
| | EXTERIOR | Regular Arm Top Jamb | | 7 | 10 | 13 | 16 |
| | EXTERIOR | Parallel Arm | | 9 | 12 | 15 | 18 |

*20 FULL (360°) TURNS MAX. AVAILABLE = 10 TURNS AS SHIPPED

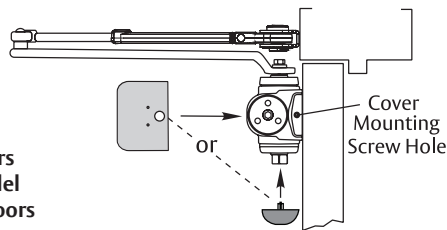


Pinion Cap and Cover

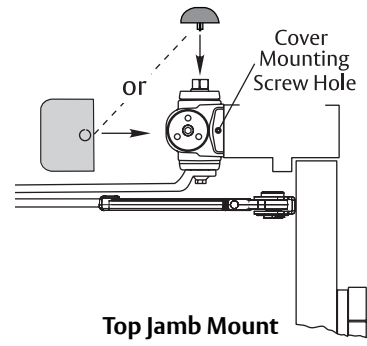


Do not over tighten cap or cover screws.

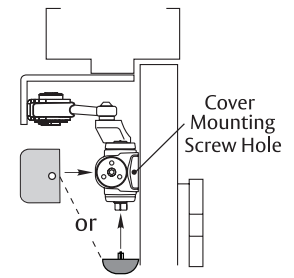
Architectural (“A”) covers cannot be used on parallel mounted closers with doors swinging over 120°.



Regular Arm



Top Jamb Mount



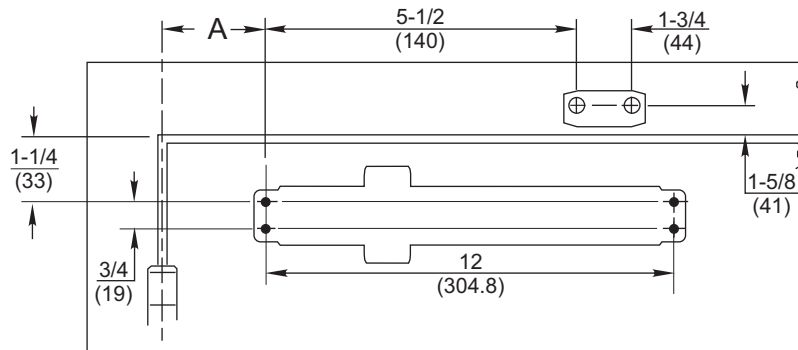
Parallel Arm

Norton®

ASSA ABLOY

8000H Regular Arm Installation (Right Hand Shown)

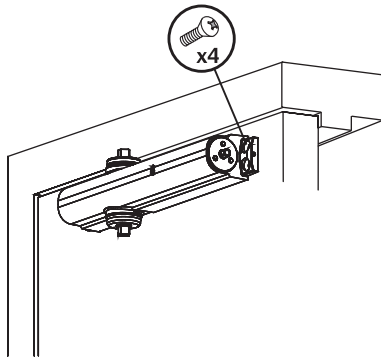
1. Prepare door and frame.



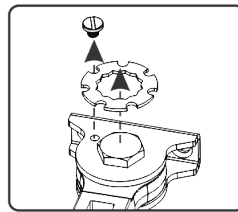
| Opening | Dimension "A" |
|---------------|----------------|
| To 100° | 7-1/2 (191) |
| 101° to 130° | 6 (152) |
| 131° to *180° | 4-1/2 (114) |

*Door/Wall/Hardware/Jamb conditions permitting

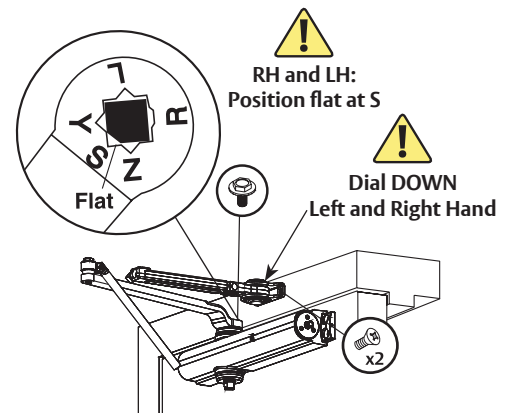
2. Mount closer to door.



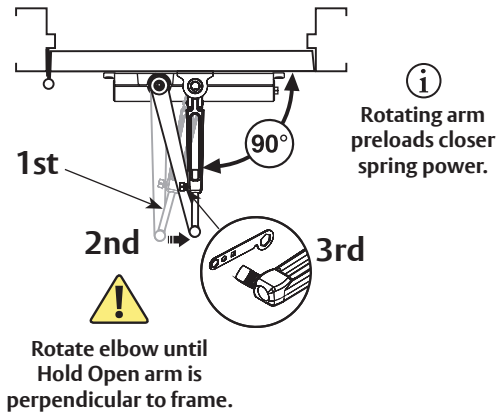
3a. Remove dial from Hold Open arm.



3b. Install separate arms.

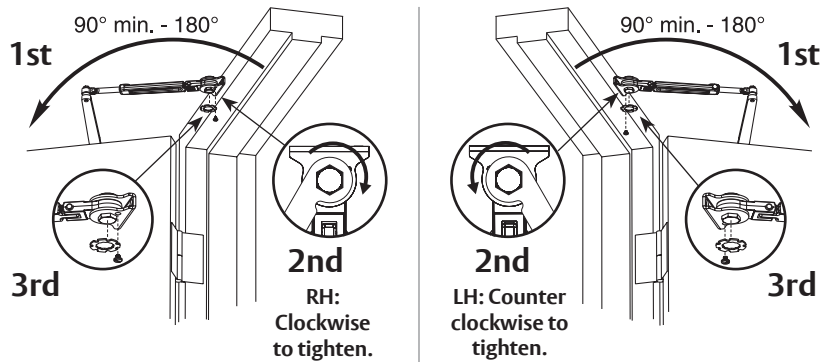


4. Connect arms, preload spring and tighten set screw.



5. Set Hold Open.

! Keep door open in position until dial screw secures dial.

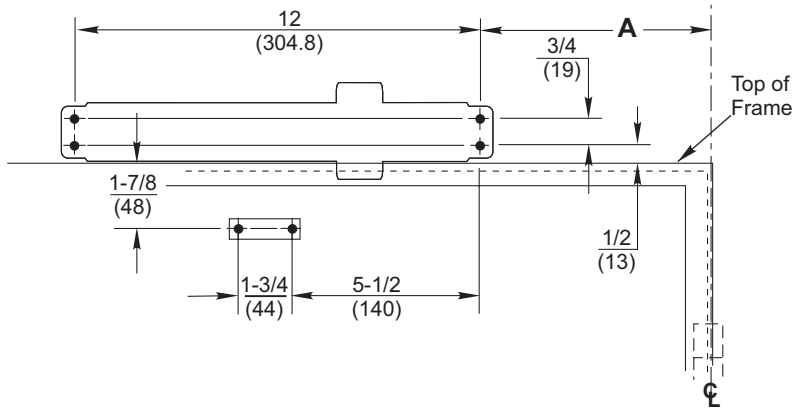


You've installed the **8000H Hold Open Closer - Regular Arm**.

● Go to page 2 for closer adjustments and decorative cap or cover installation.

8000H Top Jamb Mount Installation (Right Hand Shown)

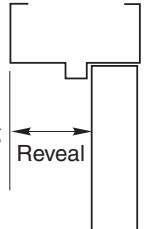
1. Prepare door and frame.



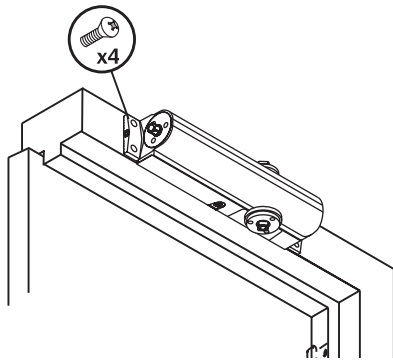
| Opening | Dimension "A" |
|---------------|-----------------------|
| To 100° | $\frac{7-1/2}{(191)}$ |
| 101° to 130° | $\frac{6}{(152)}$ |
| 131° to *180° | $\frac{4-1/2}{(114)}$ |

* Door/Wall/Hardware/Jamb conditions permitting

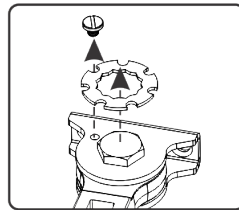
A longer connecting rod is required for reveals greater than 3" (76)



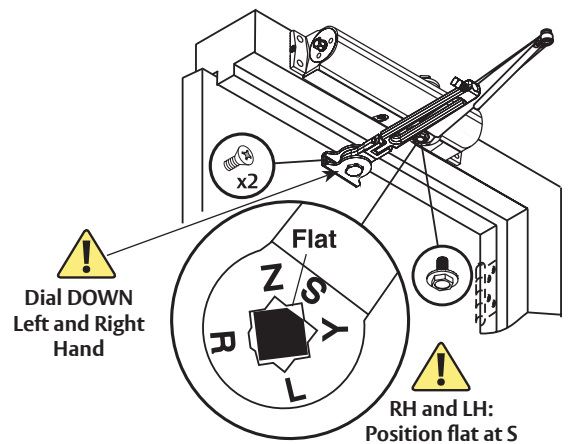
2. Mount closer to frame.



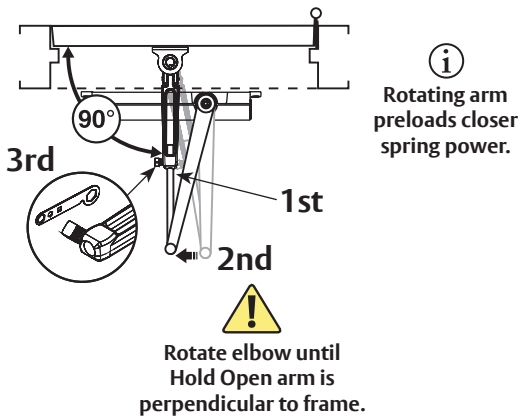
3a. Remove dial from Hold Open arm.



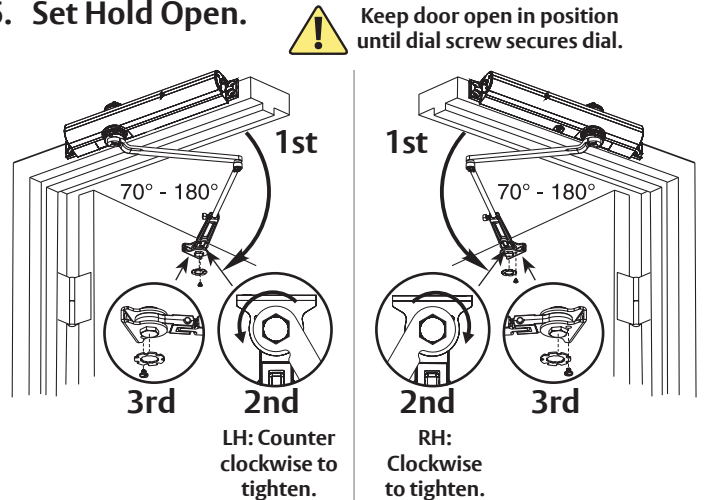
3b. Install separate arms.



4. Connect arms, preload spring and tighten set screw.



5. Set Hold Open.

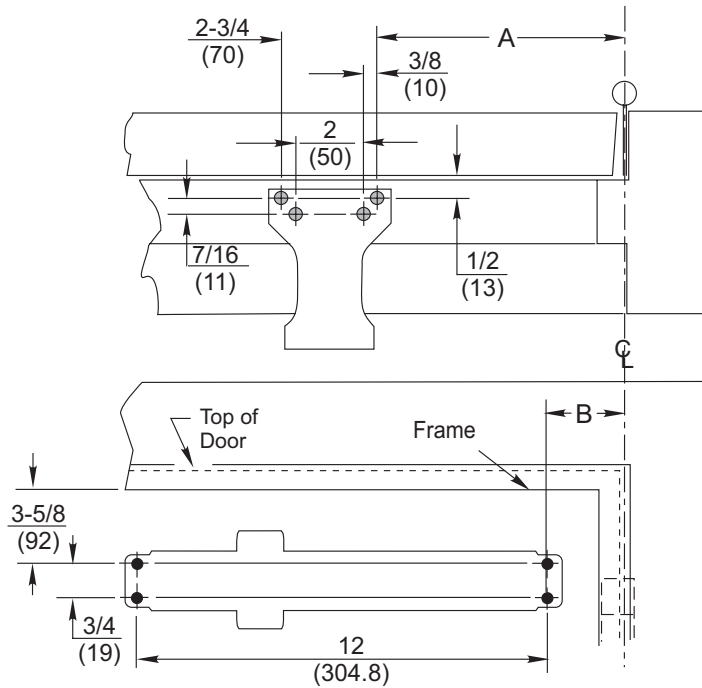


You've now installed the 8000H Hold Open Closer - Top Jamb Mount.

● Go to page 2 for closer adjustments and decorative cap or cover installation.

8000H Parallel Arm Installation (Right Hand Shown)

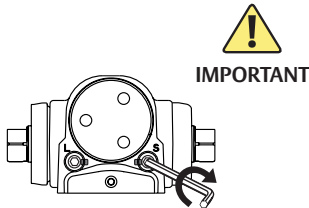
1. Prepare door and frame.



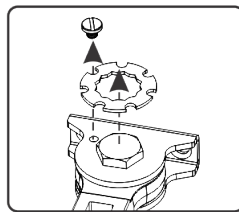
| Door Opening | A | B |
|---------------|----------------|---------------|
| To 120° | 9-1/2 (241) | 3-3/4 (95) |
| *121° to 180° | 7 (178) | 1-1/4 (32) |

* Door/Wall/Hardware/Jamb conditions permitting

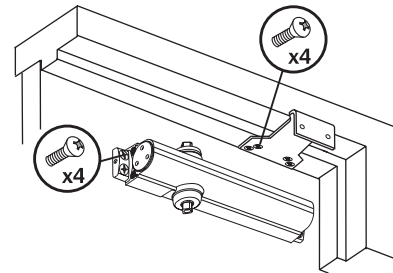
2. Close latch and sweep valves.



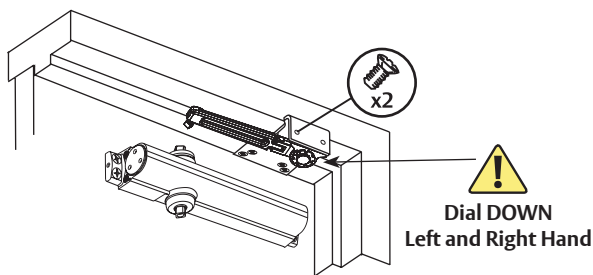
3. Remove dial from Hold Open arm.



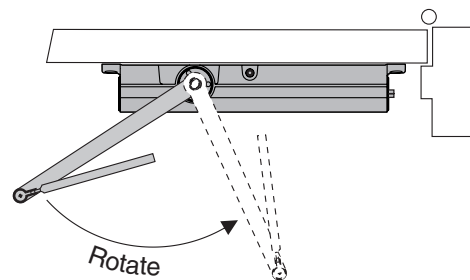
4. Install soffit plate and mount closer.



5. Install Hold Open arm to plate.

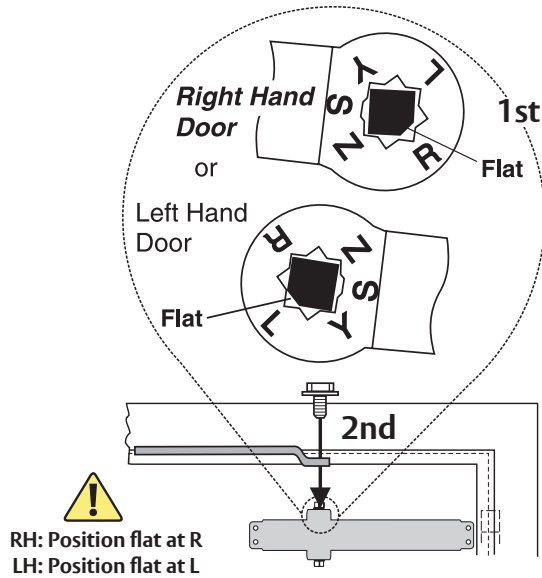


6. Place main arm on closer spindle and rotate.

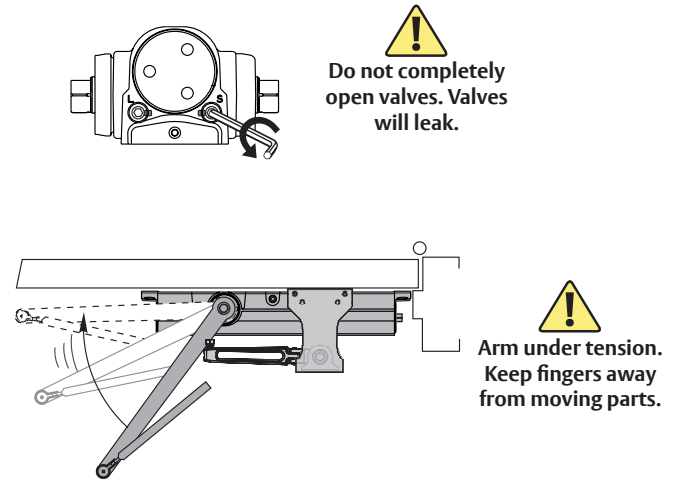


8000H Parallel Arm Installation (Right Hand Shown) continued

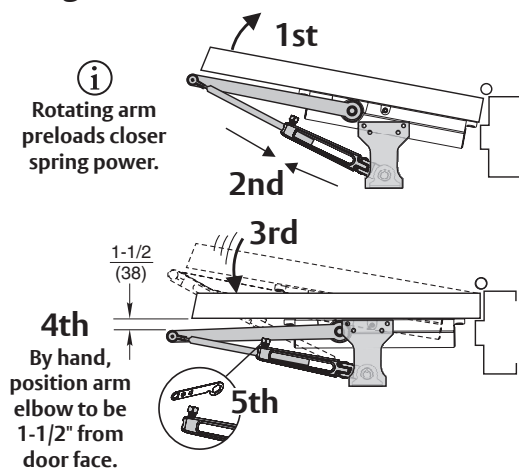
7. Remove arm and attach as shown.



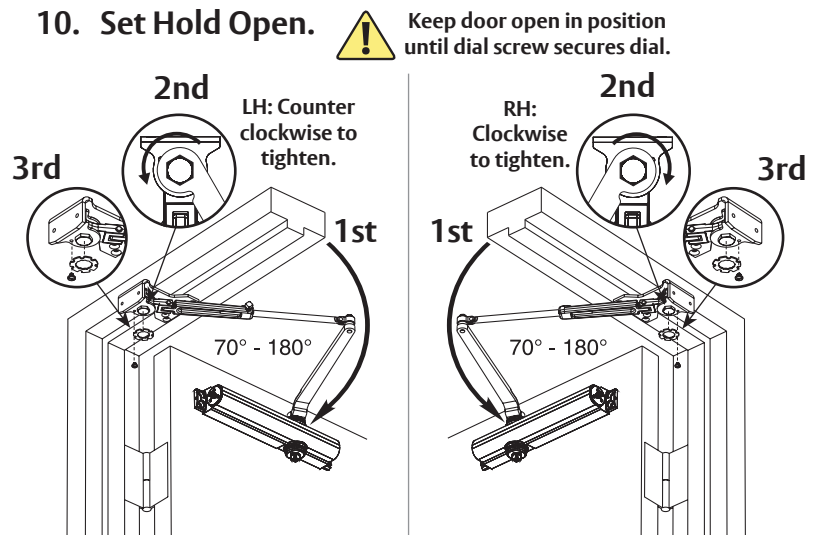
8. Open latch and sweep valves.



9. Connect arms, preload spring and tighten set screw.



10. Set Hold Open.



You've now installed the **8000H Hold Open Closer - Parallel Arm.**

● Go to page 2 for closer adjustments and decorative cap or cover installation.