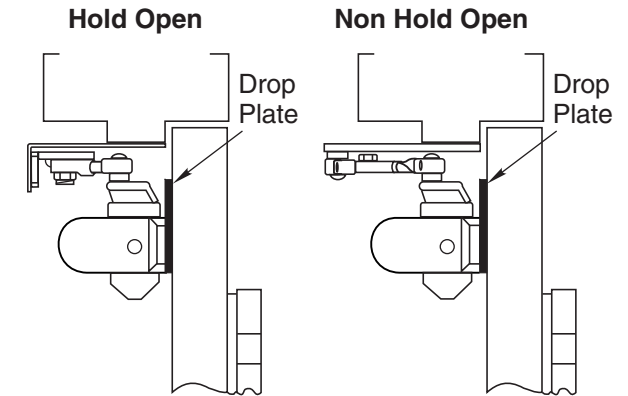


**Notes:**

- Do not scale drawing.
- Left hand door shown.
- Dimensions are in inches (mm).

| Door Opening  | A           | B           |
|---------------|-------------|-------------|
| To 100°       | 9-1/4 (235) | 8-5/8 (219) |
| 101° to 130°  | 7-3/4 (197) | 7-1/8 (181) |
| *131° to 180° | 5-3/4 (146) | 5-1/8 (130) |

\* Door/Wall/Hardware/Jamb conditions permitting



| Fasteners Chart |                                |                  |  |
|-----------------|--------------------------------|------------------|--|
| Fasteners       |                                | Door or Frame    | Drill-Sizes  |
| Standard        | 1/4" - 20 combination screw    | Wood             | 7/32" (5.54 mm.)   |
|                 |                                | Metal            | drill: #7 (0.201" dia.)<br>tap: 1/4" - 20  |
| Optional        | Sex nuts and bolts             | Hollow-Metal     | 9/32" (7.00 mm.) through;<br>3/8" (9.50 mm.) on door opposite to closer                                |
|                 |                                | Aluminum or Wood | 3/8" (9.50 mm.) through  |
|                 | Through-bolts and grommet-nuts | All              | 9/32" (7.00 mm.) through;<br>3/8" (9.50 mm.) dia. x<br>3/8" (9.50 mm.) deep on door opposite to closer |

Door swing may be limited by door, frame, wall or hardware conditions.  
 Hollow-metal doors require channel or box-type reinforcement when thru-bolt mount is specified.  
 Sex-bolts required for wood or plastic faced fire-door mounting.  
 Minimum thickness recommended for reinforcements in hollow-metal doors and frames: .1046" (2.66mm) unless otherwise noted.

**P9300 Series Non Hold Open Door Closer  
 P9300H Series Hold Open Door Closers  
 Parallel Arm Application Using 9388 Drop Plate  
 Closer Sizes 2, 3, 4, and 5**



ASSA ABLOY

www.nortondoorcontrols.com

TEMPLATE NUMBER

**7393-0111**

DATE

**01-09**