



Installation Instructions

Non Hold Open Models

ASSA ABLOY

Weaker
 -
 Stronger
 +
 Sized
 (Sizes 2,3,4,5)
9302BC
9303BC
9304BC
9305BC

9300BC Series

Non Handed Door Closer

Regular Arm
 Top Jamb
 Parallel Arm

Regular Arm Installation
See Page 2

Right Hand Door - RH
Left Hand Reverse - LHR

Top Jamb Installation
See Page 5

Left Hand Door - LH
Right Hand Reverse - RHR

Parallel Arm Installation
See Pages 3 & 4

Left Hand Door - LH
Right Hand Reverse - RHR

Regular Arm Installation
See Page 2

Left Hand Door - LH
Right Hand Reverse - RHR

Top Jamb Installation
See Page 5

Right Hand Door - RH
Left Hand Reverse - LHR

Parallel Arm Installation
See Pages 3 & 4

Right Hand Door - RH
Left Hand Reverse - LHR

CAUTION An Incorrectly installed or improperly adjusted door closer can cause property damage or personal injury. These installation instructions should be followed to avoid the possibility of misapplication or misadjustment. **CAUTION**

NOTE: For special applications a separate door and frame preparation template is packed with these instructions. Use this instruction sheet for installation sequence and closer adjustments only.

- Doors should be hung on ball bearing or anti-friction hinges.
- A separate door stop is recommended.
- Door and frame must be properly reinforced.
- Adjust closing time speed between 3 and 7 seconds from 90° to 0°.
- These door closers should NOT be installed on the exposed side (weather side) of exterior doors.

| | | | | |
|--|----------------------------|-----------------------|--|--|
| | <p>#7 Metal 1/4-20</p> | <p>3/16" Wood</p> | <p>Self Drilling Screws Wood and Metal</p> <p>For Wood drill 3/16 hole</p> <p>Machine Screws</p> <p>#7 Drill, 1/4-20 Tap</p> | <p>(Optional)</p> <p>Sleeve Nut and Bolt</p> <p>Drill 9/32 thru from Closer Side 3/8 Drill other side</p> <p>Thru Bolt and Grommet Nut</p> <p>Drill 9/32 thru from Closer Side 3/8 Drill other Side</p> |
|--|----------------------------|-----------------------|--|--|

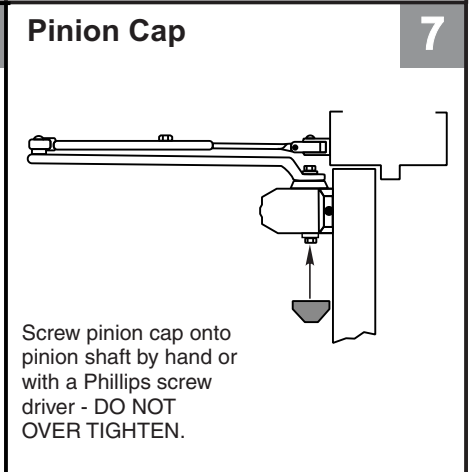
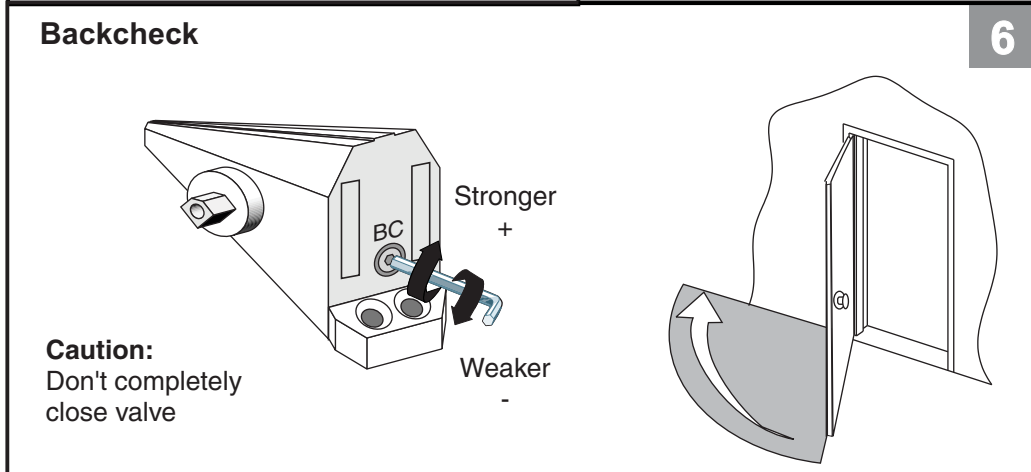
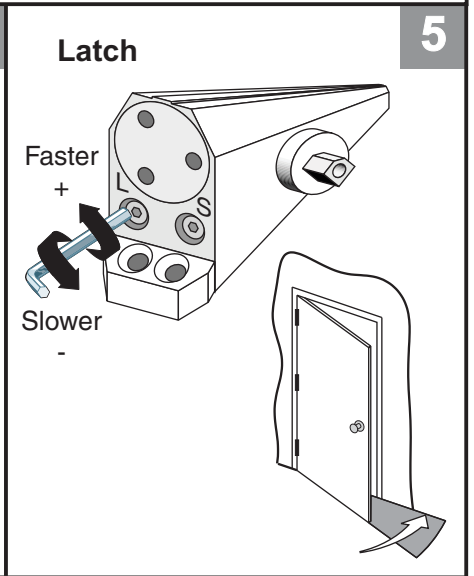
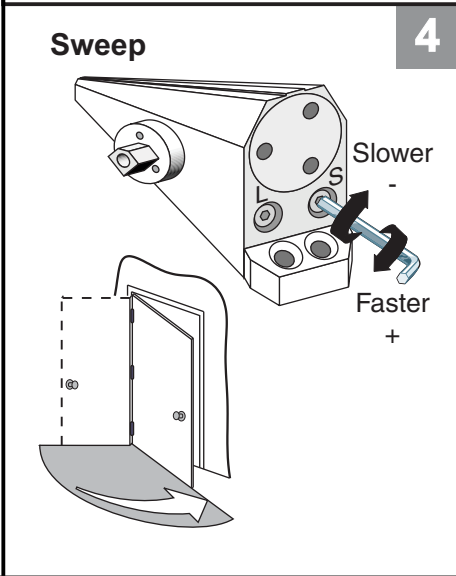
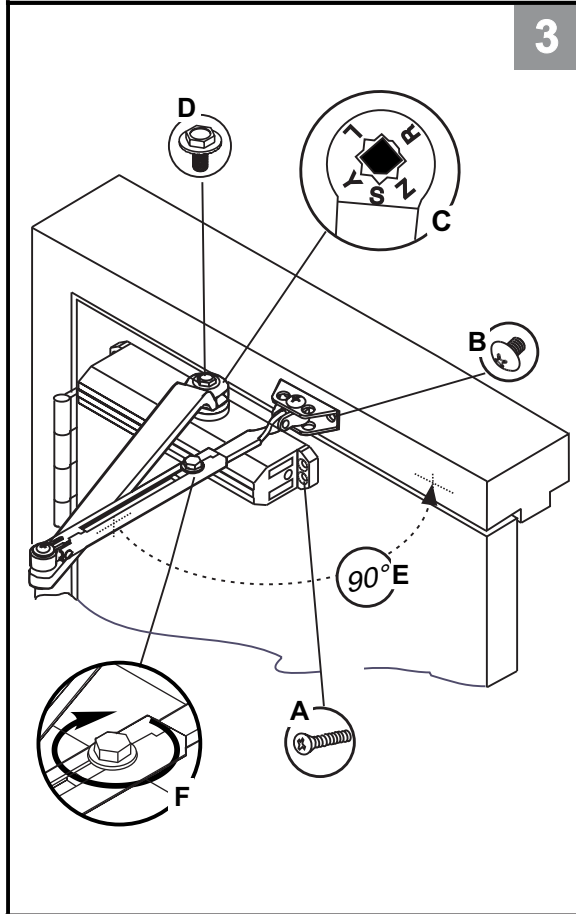
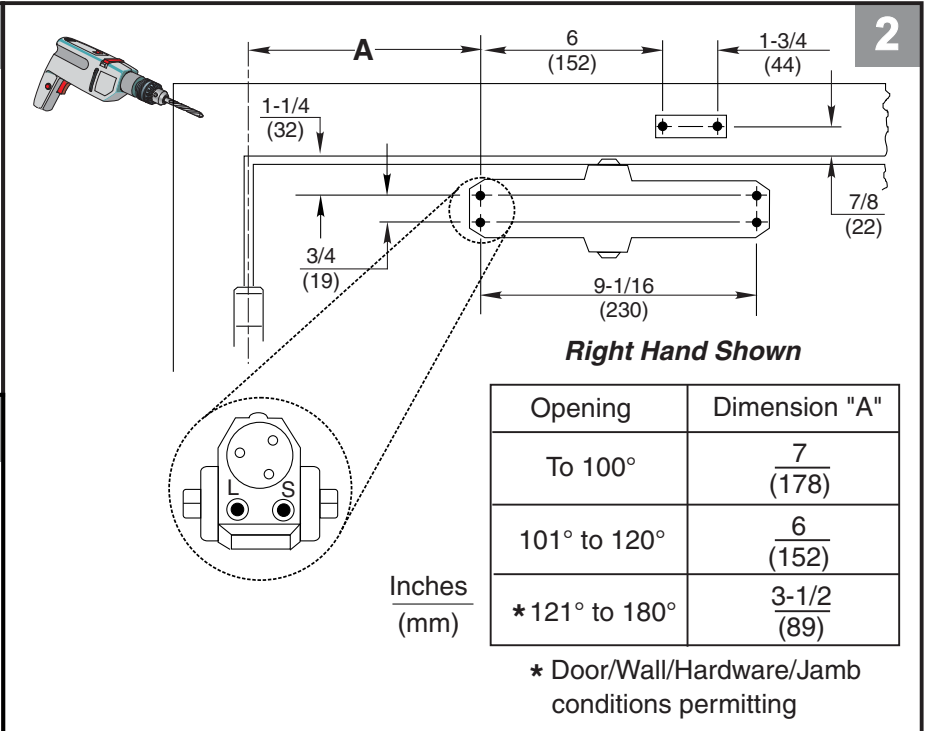
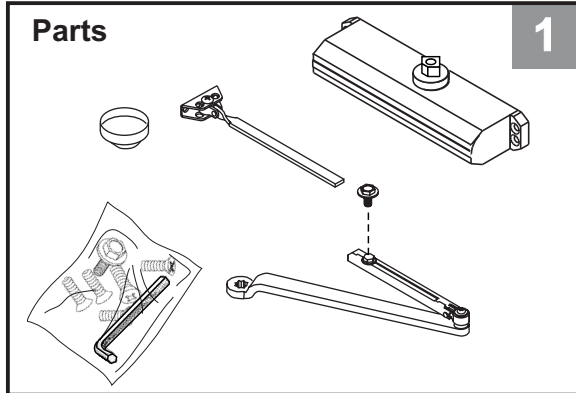
| | |
|---|--|
| <p>Standard Components</p> <p>Closer Body Pinion Cap Closer Size Stamp "L" Valve "S" Valve</p> | <p>Optional Components</p> <p>9388 Plate 9318A Soffit Plate Used with Parallel Arm Closers Only</p> |
| <p>Arm Assembly</p> <p>Regular Arm/Top Jamb Shoe Main Arm Connecting Rod Forearm Screw Arm Slide</p> | |

9300BC Series

Non Hold Open Door Closers — Regular Arm



ASSA ABLOY

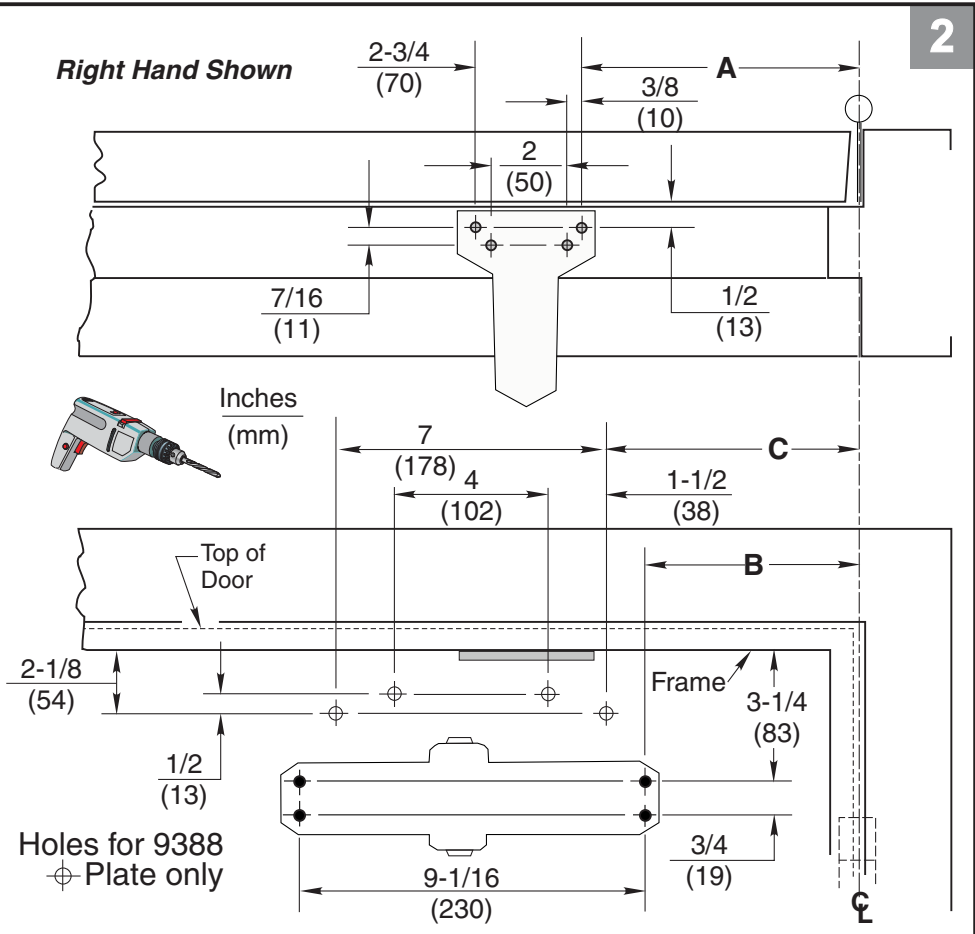
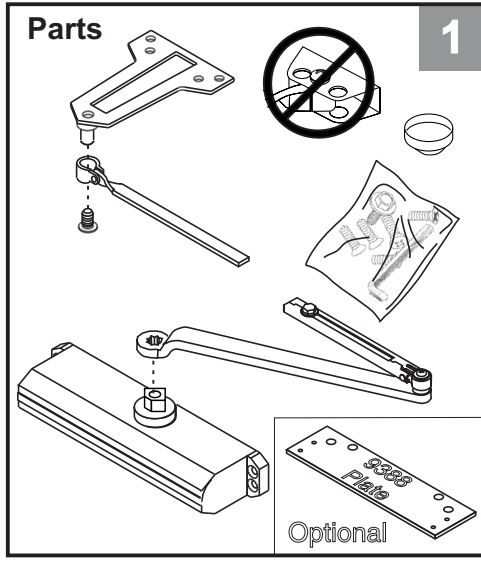


9300BC Series

Non Hold Open Door Closers — Parallel Arm

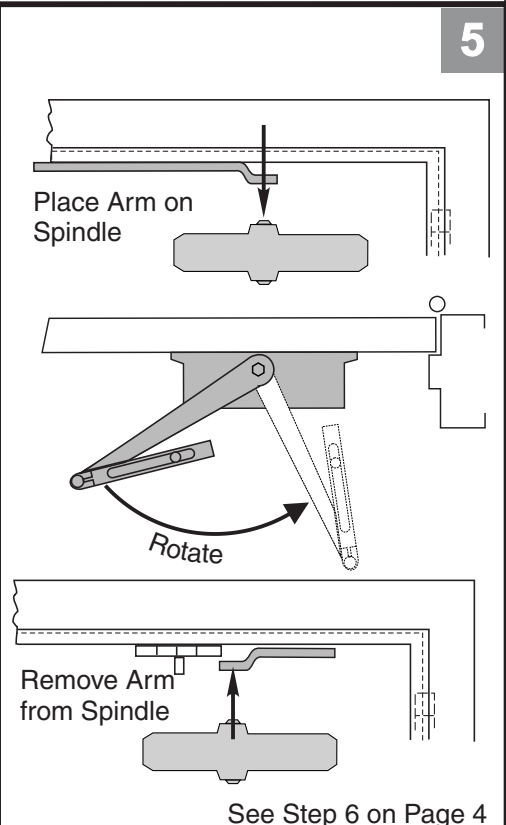
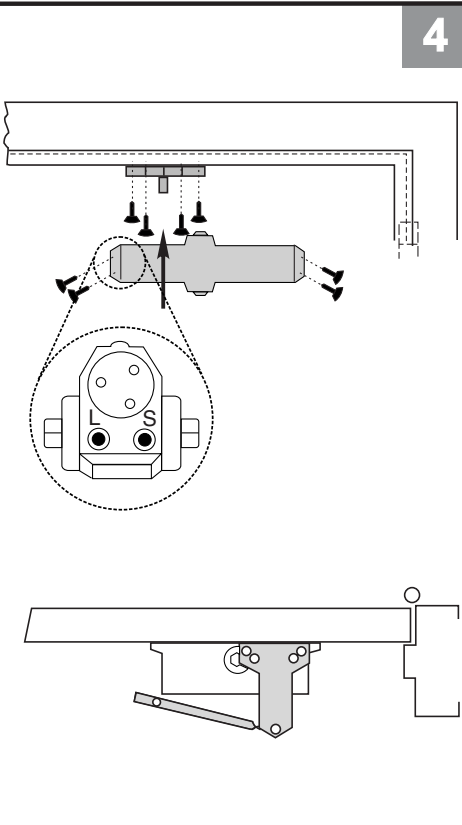
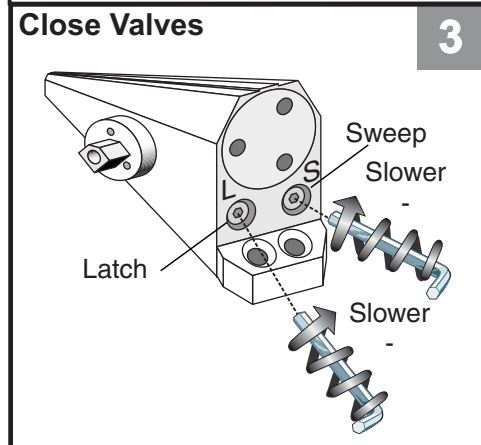


ASSA ABLOY



| Door Opening | A | B | C |
|---------------|-------------|-------------|-------------|
| To 100° | 9-1/4 (235) | 7-5/8 (194) | 8-5/8 (219) |
| 101° to 130° | 7-3/4 (197) | 6-1/8 (156) | 7-1/8 (181) |
| *131° to 180° | 5-3/4 (146) | 4-1/8 (105) | 5-1/8 (130) |

* Door/Wall/Hardware/Jamb conditions permitting



See Step 6 on Page 4

9300BC Series

Non Hold Open Door Closers — Parallel Arm



ASSA ABLOY

6

Right Hand Door
or
Left Hand Door

Flat

Flat

A

B

7

Open Valves

Caution:
Do Not
Back
Valves Out
Completely

8

Assemble Arm

9

Arm Screw

1-1/2
(38)

10

Sweep

Slower -
Faster +

11

Latch

Faster +
Slower -

12

Backcheck

Stronger +
Weaker -

Caution:
Don't completely
close valve

13

Pinion Cap

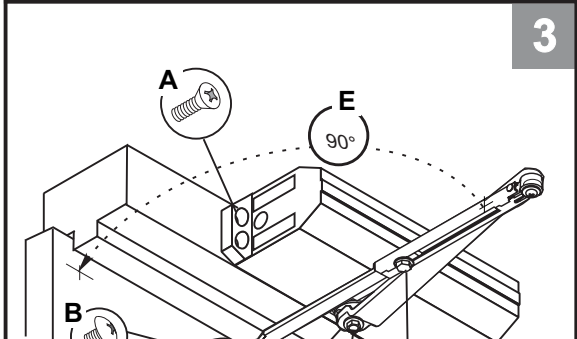
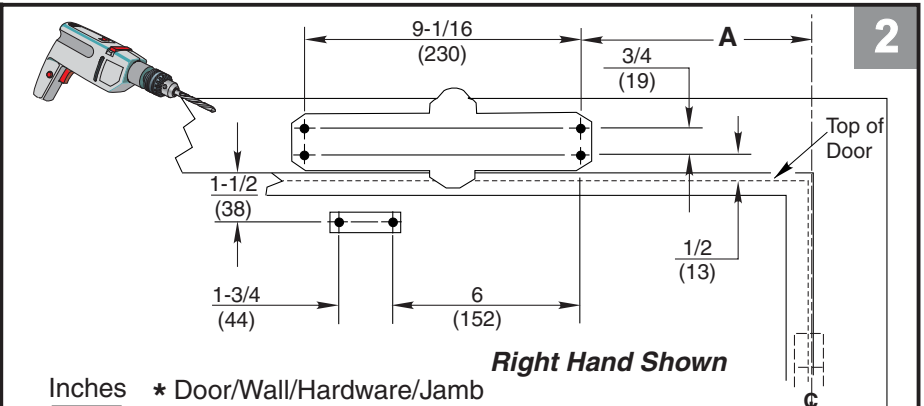
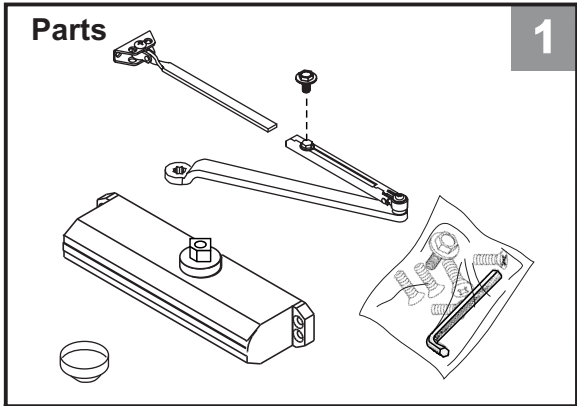
Screw pinion cap onto
pinion shaft by hand or
with a Phillips screw
driver - DO NOT
OVER TIGHTEN.

9300BC Series

Non Hold Open Door Closers — Top Jamb Arm



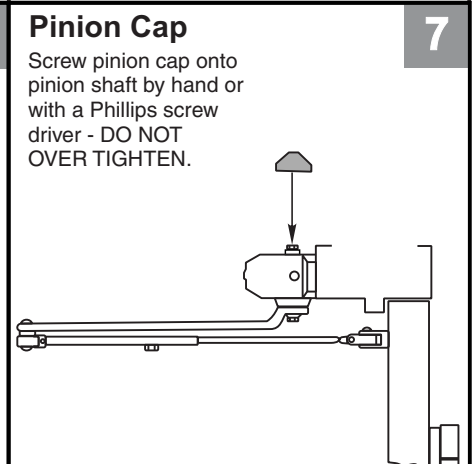
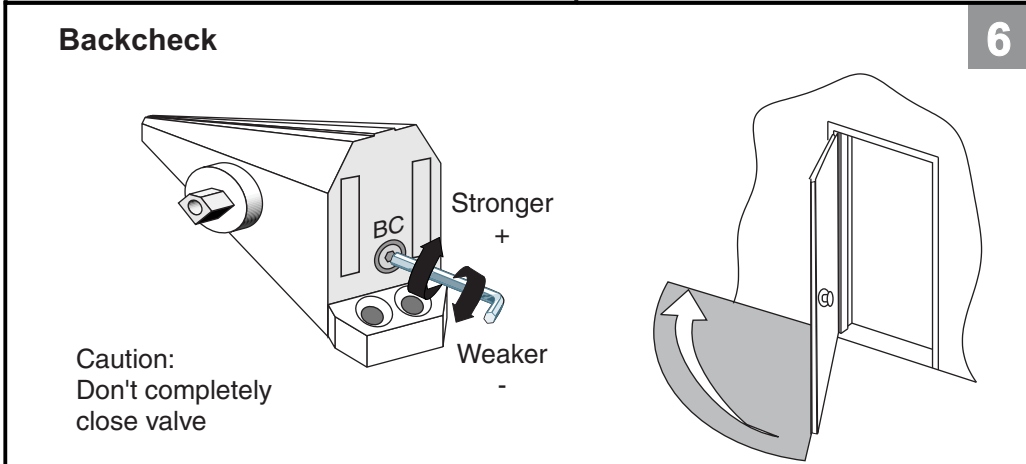
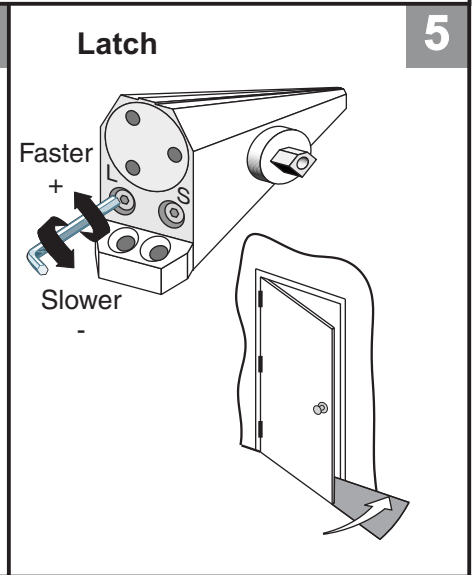
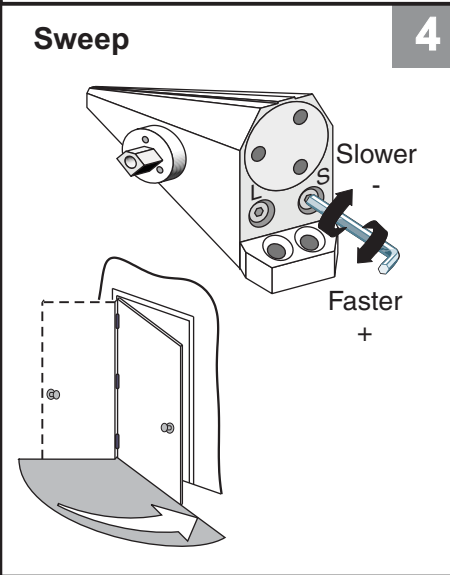
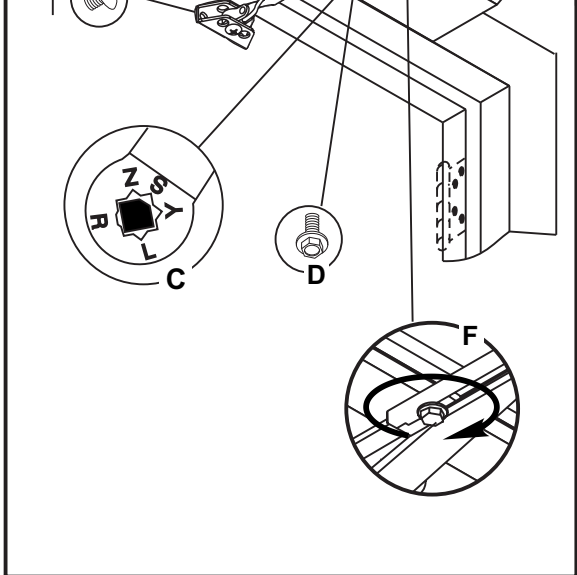
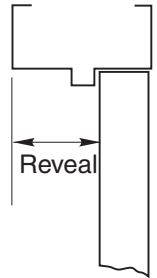
ASSA ABLOY



Inches * Door/Wall/Hardware/Jamb (mm) conditions permitting

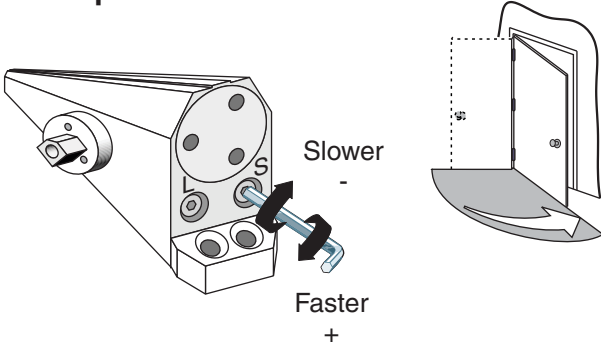
| Opening | Dimension "A" |
|---------------|---------------|
| To 100° | 7-1/2 (191) |
| 101° to 120° | 6 (152) |
| *121° to 180° | 3-1/2 (89) |

A longer connecting rod is required for reveals greater than 3" (76)

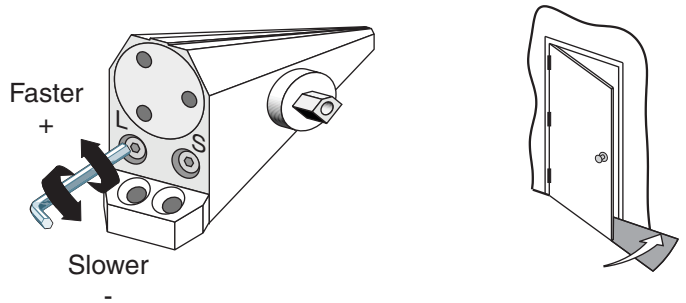


9300BC Series Adjustments

Sweep

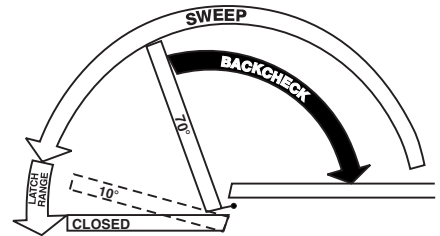
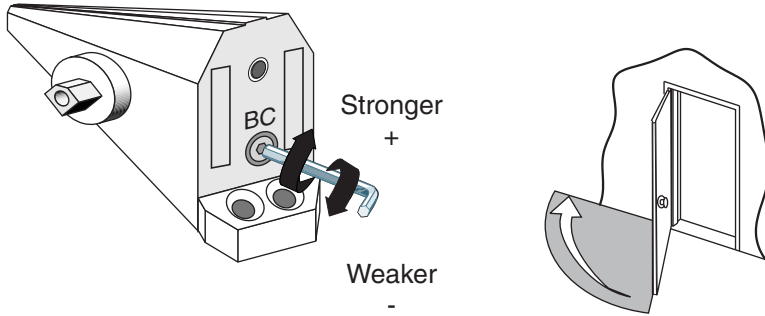


Latch

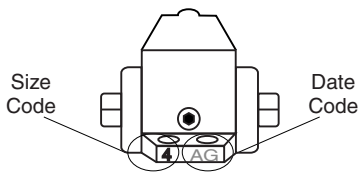


(Use 1/8" Hex Wrench for these Adjustments)

Backcheck

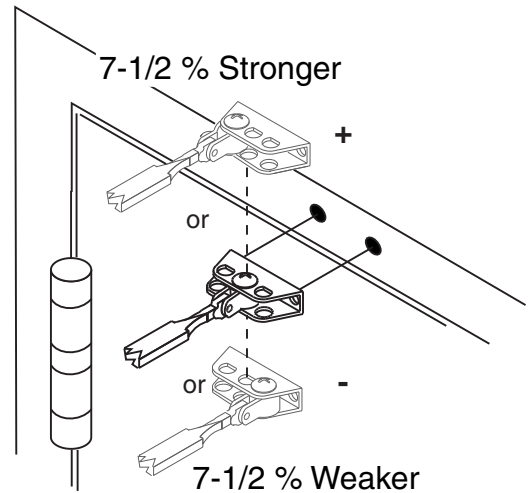
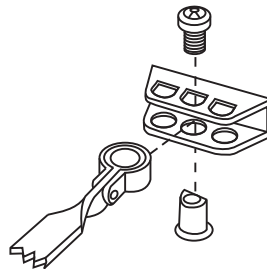


To identify your model:



- 2=9302BC
- 3=9303BC
- 4=9304BC
- 5=9305BC

Arm Placement in Shoe



Norton
ASSA ABLOY

3000 Highway 74 East • Monroe, NC 28112
Tel: (877)-974-2255 • Fax: (800)-338-0965
www.nortondoорcontrols.com