



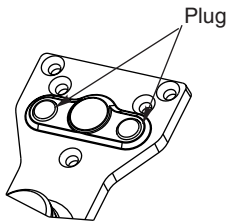
ASSA ABLOY

Assembly Instructions Supplemental Sheet for CloserPlus Spring™ Arms

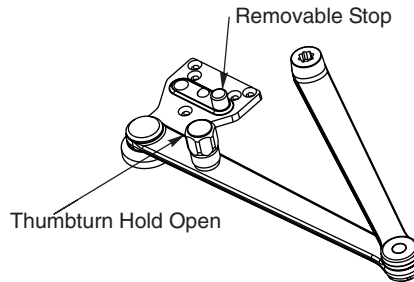
CAUTION

An incorrectly installed or improperly adjusted door closer can cause property damage or personal injury. These instructions should be followed to avoid the possibility of misapplication or misadjustment.

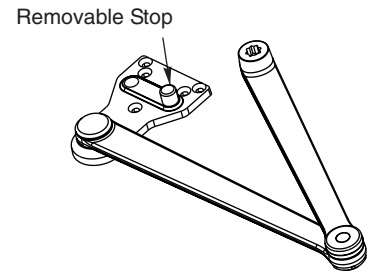
CPSK6770 Kit to be used with these arm assemblies:



Parallel Rigid
(Non-Hold Open or Hold Open Arms)

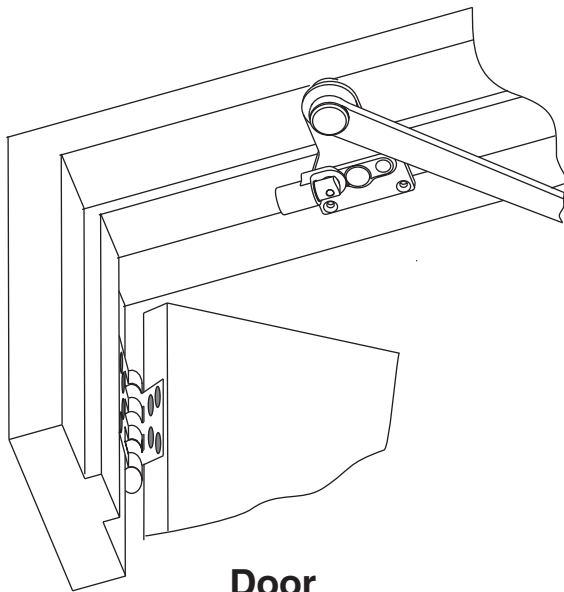


CloserPlus®
(Hold Open Arms w/ Thumbturn)



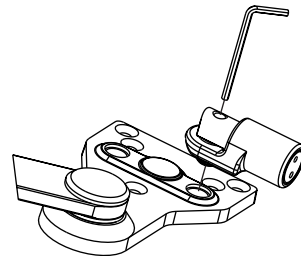
CloserPlus®
(Non-Hold Open Arms)

Assembly Instructions



Door
(Left Hand Shown)

- **New Arm Only:**
Determine hand of arm required and remove appropriate hole cap. Position spring buffer assembly on soffit plate and using 5/32" hex wrench provided, thread assembly to soffit plate.
- **Existing Arm Only:**
Remove stop from existing plate using 5/32" wrench provided, position spring buffer assembly on soffit plate and thread assembly to soffit plate using the 5/32" hex wrench.



•Where severe or abusive conditions are expected a separate door stop, supplied by others, is recommended to assist in preventing damage to the door closer, closer arm; or to the door, frame or adjacent walls.

Norton

ASSA ABLOY

3000 Highway 74 East • Monroe, NC 28112
Tel: (877)-974-2255 • Fax: (800)-338-0965
www.nortondoortcontrols.com

ASSA ABLOY, the global leader in door opening solutions