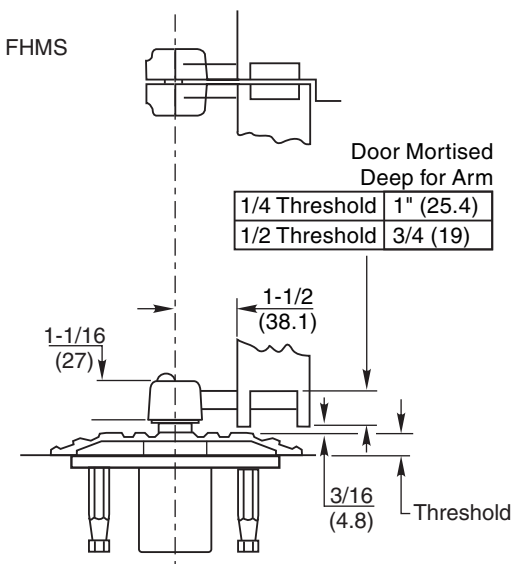


- Notes:**
1. Do not scale drawing.
 2. Dimensions given in inches (mm).
 3. Right Hand Shown.
 4. Maximum Degree Of Opening, Trim Permitting, 180°.



Width across corners of Hexagon concrete anchors 1/2" (12.7).

With Floor Plate

Set cement case 1/16" (1.6) below surface of finished floor

With Threshold

Set Cement Case Flush With Finished Floor To Maintain Proper Clearance Use One (1) 1/16" (1.6) Shim Between The Arm And Arm Bearing Washer.

**117-1/2 Pivot Set
 1-1/2" Offset**



TEMPLATE NUMBER	REV	DATE
PS30020	3	01/22