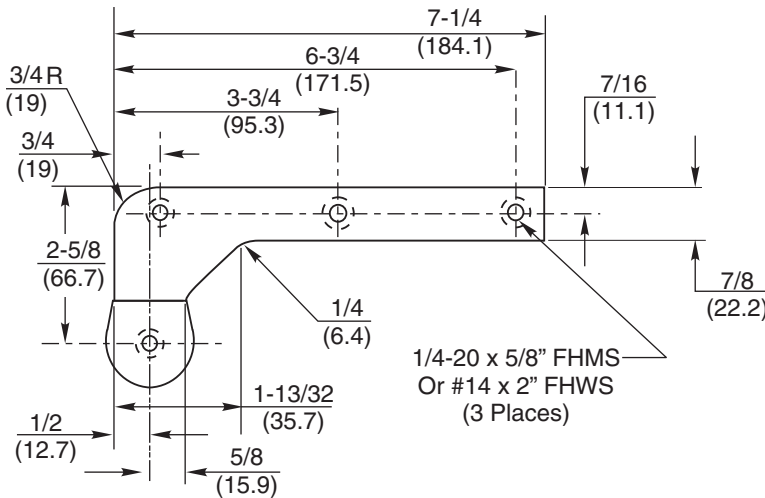
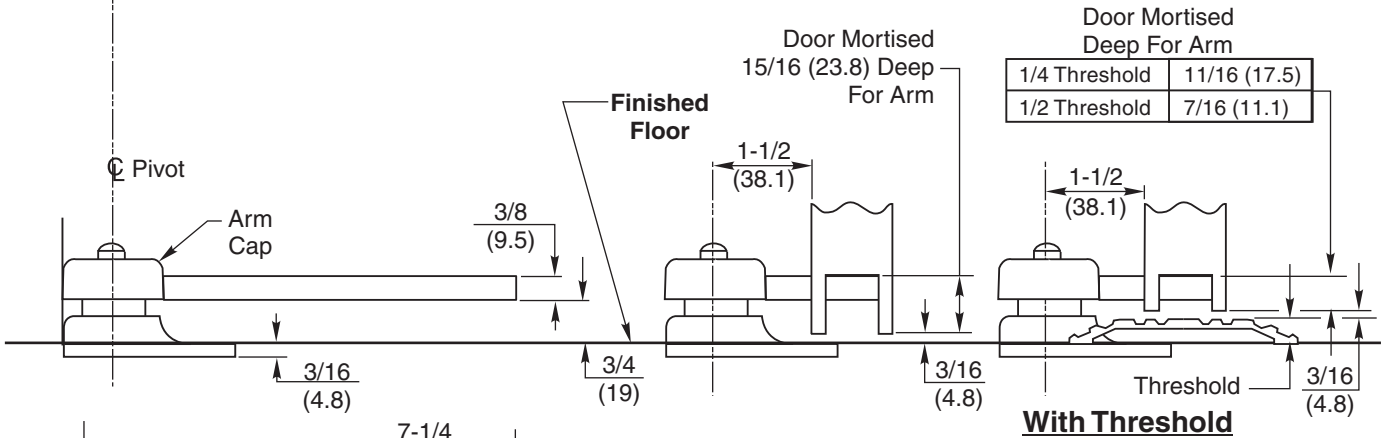
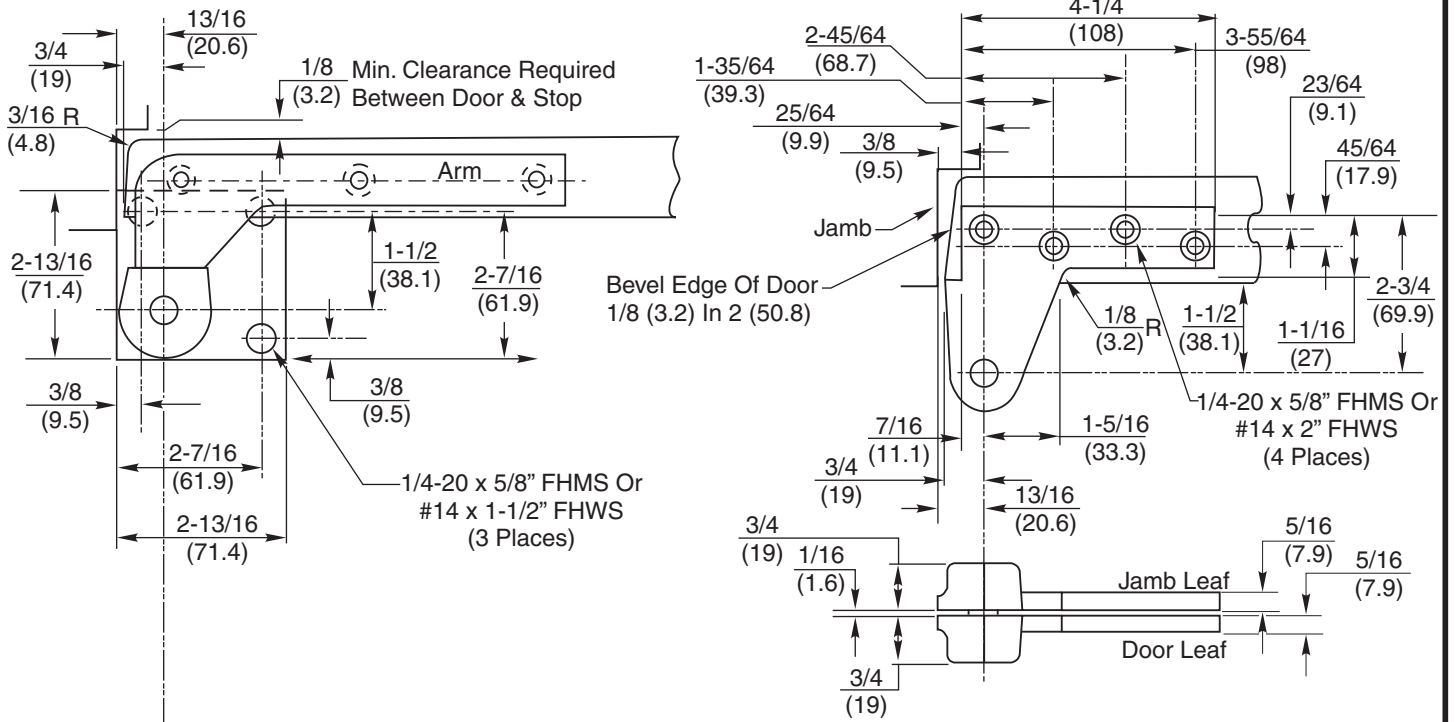


180 1-1/2" Top Pivot



Notes:

1. Do not scale drawing.
2. All dimensions are in inches (mm).
3. Right hand shown.
4. Suitable reinforcing by others
5. Maximum degree of opening 180°, trim permitting.

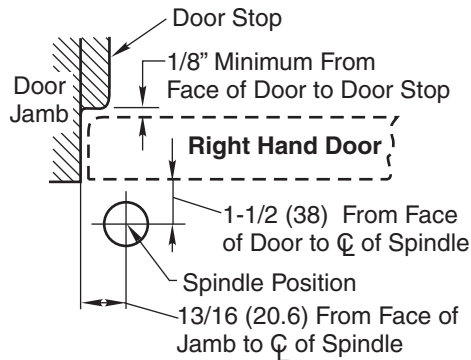
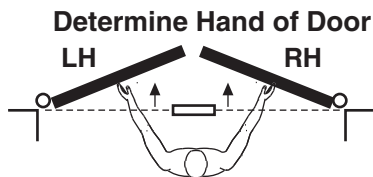
**117 Pivot Set
1-1/2" Offset, Handed**

RIXSON
ASSA ABLOY

www.rixson.com

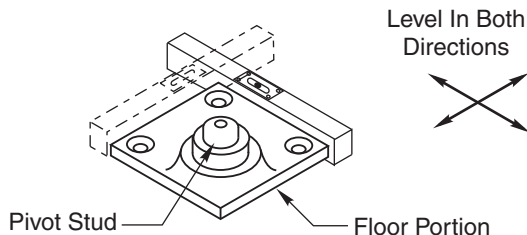
TEMPLATE NUMBER	REV	DATE
IS117 1-1/2	3	05-24

117 X 1-1/2 Pivot Set



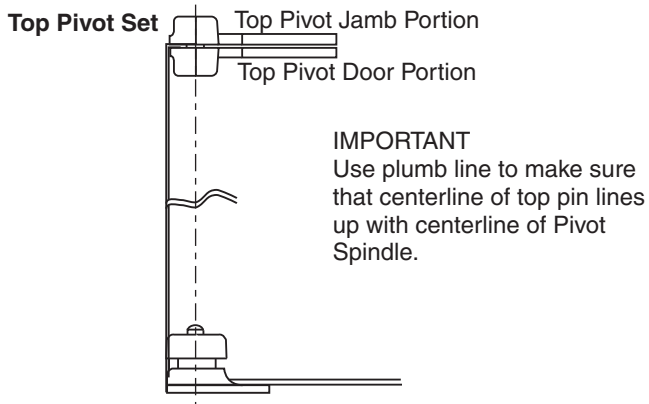
1. LOCATE PIVOT

- A. Measure 13/16 (20.6) from door jamb.
- B. Allow 1/8 (3.2) minimum clearance from door stop to door face. Measure door thickness; add 3/4 (19).
- C. Where lines meet determines centerline of pivot.



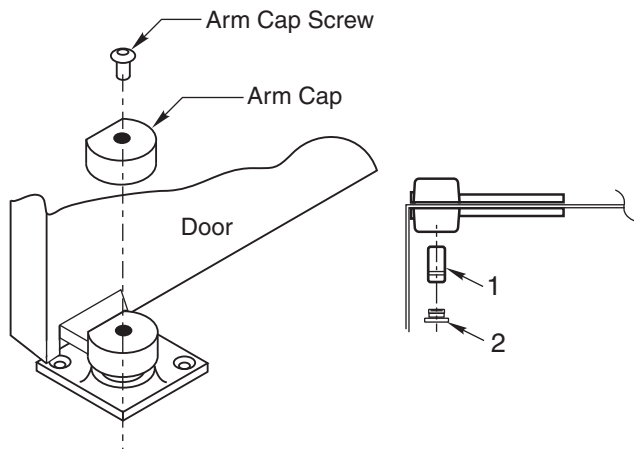
2. SET PIVOT SET

- A. Prepare floor to receive Floor Portion. Set anchors provided securely in floor.
- B. **IMPORTANT:** Floor Portions must be level. Level in both directions per illustration.
- C. Floor Portion should be parallel with face of door.



3. INSTALL TOP PIVOT AND PIVOT ARM.

- A. Install top pivot in door per template.
- B. Install top pivot in frame per template.
- C. Install arm in door per template.
- D. Centerline of top pivot should line up with centerline of spindle.
- E. If side jamb pivot is used, see required template, T-M19-1-1/2.



4. HANG DOOR

- A. Set door on Floor Portion.
- B. Push top pivot pin (1) up into place and replace cap (2)..
- C. Put arm cap on arm and secure tightly with screw furnished.

Do Not Scale Drawing

**117 Pivot Set
1-1/2" Offset, Handed**

RIXSON[®]
ASSA ABLOY

www.rixson.com

TEMPLATE NUMBER

IS117 1-1/2

DATE

07-09