

1600H Series Non-Handed Door Closer

Arm Models 1601H, 1603BC-H, and 1604BC-H

Installation Instructions

Hold Open arm models, adjustable size 1-6 (model 1601H) and size 3 & 4 (models 1603BC-H and 1604BC-H).



! WARNING

This product can expose you to lead which is known to the state of California to cause cancer and birth defects or other reproductive harm.

For more information go to: www.P65warnings.ca.gov.

READ AND FOLLOW ALL INSTRUCTIONS.
SAVE THESE INSTRUCTIONS.

| Regular Arm | Top Jamb Mount | Parallel Arm |
|---|---|---|
| <p>Right Hand Door - RH Left Hand Reverse - LHR</p> <p>Left Hand Door - LH Right Hand Reverse - RHR</p> | <p>Right Hand Door - RH Left Hand Reverse - LHR</p> <p>Left Hand Door - LH Right Hand Reverse - RHR</p> | <p>Right Hand Door - RH Left Hand Reverse - LHR</p> <p>Left Hand Door - LH Right Hand Reverse - RHR</p> |

| Included Components | Optional Components | Legacy Friction Hold Open Arm |
|--|---|---|
| <p>Closer</p> <p>Pinion Cap</p> <p>1/8" Hex Wrench</p> <p>Screw Pack (Refer to page 2 for a list of contents)</p> <p>Arm Assembly</p> | <p>Optional Components</p> <p>1600P Cover</p> <p>1688 Plate</p> <p>Soffit Adapter Plate 1628H Soffit Plate Used with Parallel Arm Closers Only</p> | <p>Legacy Friction Hold Open Arm</p> <p>NOTE: Legacy FHO arm has installation orientation. Refer to document number 80-9300-0003-000 for details.</p> |

To Determine Your Hand of Door:

Right Hand Reverse

Left Hand Reverse

LEFT HAND DOOR

RIGHT HAND DOOR

To Identify Your Model:

Spring Power Adjustment (1601 ONLY)

Size Code

1-6 = **1601**
3 = **1603BC**
4 = **1604BC**

Date Code

Tools Needed:

| | | | | |
|----------------|-------|-------------------------|--------------------------|---------------------------------------|
| | | | | |
| Tape Measure | Punch | Pencil | Phillips Screwdriver | Adjustable Wrench |
| | | #7 and 1/4-20 for Metal | 3/16" and 9/32" for Wood | 3/8" and for Either Nut & Bolt Option |
| Safety Glasses | Drill | #7 and 1/4-20 for Metal | 3/16" and 9/32" for Wood | 3/8" and for Either Nut & Bolt Option |


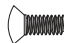
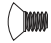


ATTENTION:

An incorrectly installed or improperly adjusted door closer can cause property damage or personal injury. These installation instructions should be followed to avoid the possibility of misapplication or misadjustment.

- For special applications, a separate door and frame preparation template is packed with these instructions. Use this instruction sheet for installation sequence and closer adjustments only.
- Doors should be hung on ball bearing or anti-friction hinges.

- A separate door stop is recommended.
- Always consult door/frame manufacturer for fastener compatibility.
- Door and frame must be properly reinforced.
- Adjust closing time speed between 3 and 7 seconds from 90° to 0°.
- These door closers should NOT be installed on exposed side (weather side) of exterior doors.
- Dimensions are given in inches (millimeters).

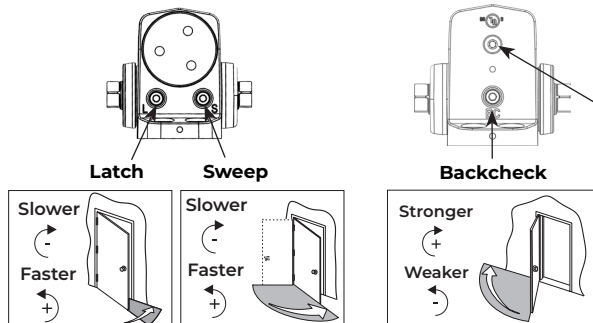
Supplied Hardware

| Mounting Hardware | | Door or Frame | Drill |
|---|---|------------------|--|
|  | Closer, Holder Shoe, Holder, PA Bracket: 1/4-14 x 1-1/2 Oval Flat Head Self Drilling. Screw | Wood/Metal | 3/16" (4.8mm) for wood |
|  | Closer, Holder Shoe, Holder, PA Bracket: 1/4-20 x 3/4 Oval Flat Head Mach. Screw | Metal | Drill #7 (.201 dia. or 5.1mm) Tap 1/4-20 |
|  | H/O Shoe to Holder, PA Bracket: 1/4-20 x 1/2 Oval Flat Head Mach. Screw | All | N/A |
|  | Closer: Sleeve Nut and Bolt (SNB) (optional) with 1/4-20 x 3/4 Oval Flat Head Mach. Screw (recommended) | Hollow Metal | 9/32" (7.0mm) thru 3/8" (9.5mm) door face opposite to closer |
| | | Aluminum or Wood | 3/8" (9.5mm) thru |
|  | Closer: Thru Bolt and Grommet Nut (TBGN) (optional) | All | 9/32" (7.0mm) thru 3/8" (9.5mm) dia. x 3/8" (9.5mm) deep, door face opposite to closer |


Closer Adjustments

 Use provided hex wrench to turn valves. NEVER force valves out of closer. NEVER completely close backcheck valve. Door must be open to adjust spring closing power. Refer to the chart.


Use of a power drill will void the Warranty.

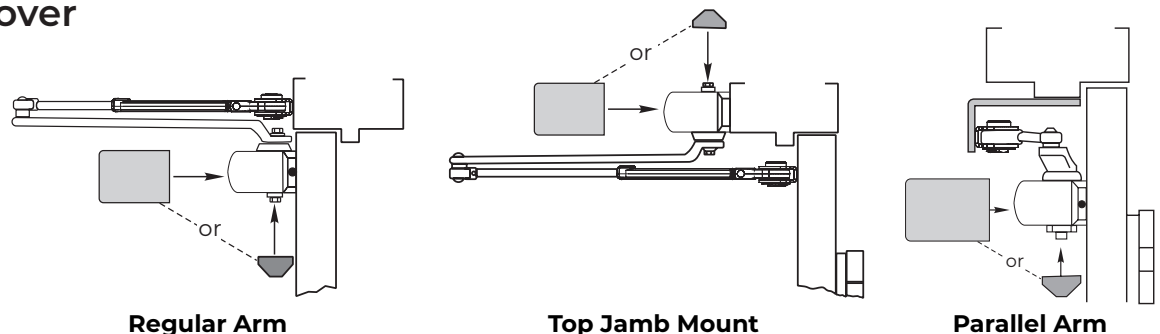


| Spring Closing Power | | | Number of Turns Required | | | | |
|----------------------|----------------------|----------------------|--------------------------|----------------|----------------|----------------|----------------|
| Door | Type of Installation | * | Maximum Door Size | | | | |
| | | | 34" (0.85M) | 36" (0.90M) | 40" (1.00M) | 44" (1.10M) | 48" (1.20M) |
| 1601 | Interior | Regular Arm Top Jamb | 2 | 4 | 6 | 10 | 12 |
| | | | 3 | 5 | 8 | 11 | 14 |
| | Exterior | Regular Arm Top Jamb | 3 | 5 | 8 | 11 | 14 |
| | | | 5 | 8 | 11 | 16 | 19 |

*30 Full (360°) turns maximum available  = turns as shipped

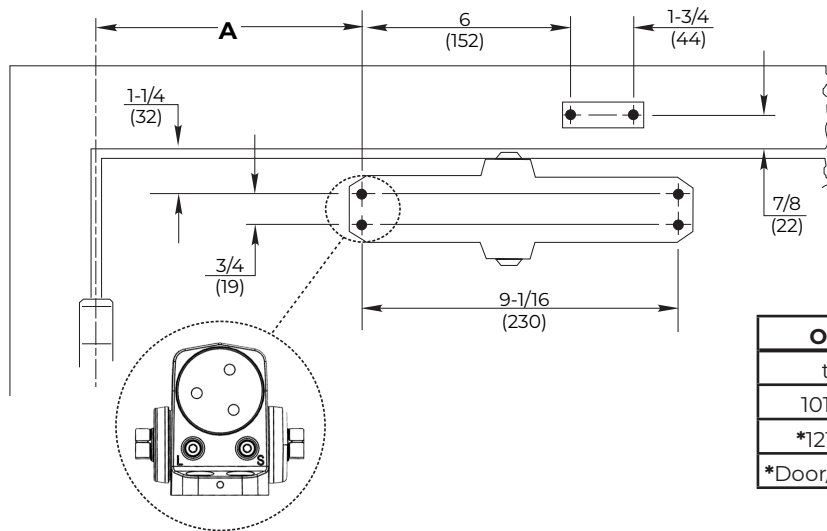
Pinion Cap or Cover

 Do not over tighten cap or cover screws.



1600H Regular Arm Installation (Right Hand Shown)

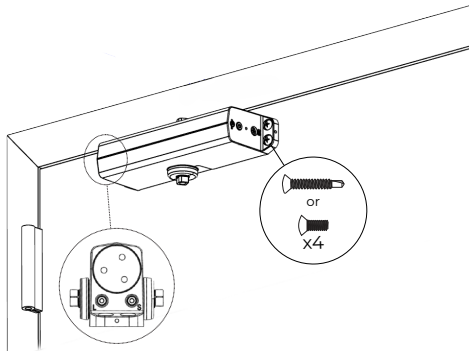
1. Prepare door and frame.



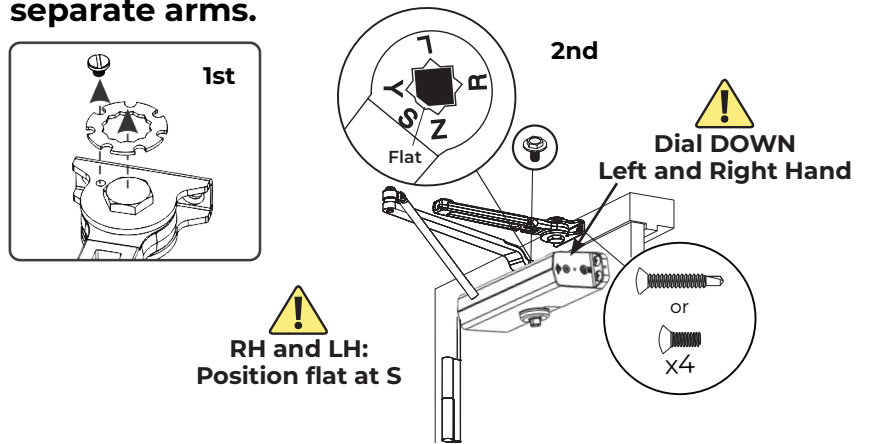
| Opening | Dimension "A" |
|---------------|---------------|
| to 100° | 7 (178) |
| 101° to 120° | 6 (152) |
| *121° to 180° | 3-1/2 (89) |

*Door/Wall/Hardware/Jamb conditions permitting

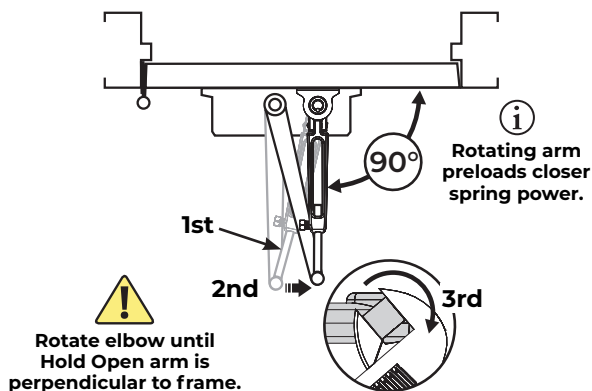
2. Mount closer to door.



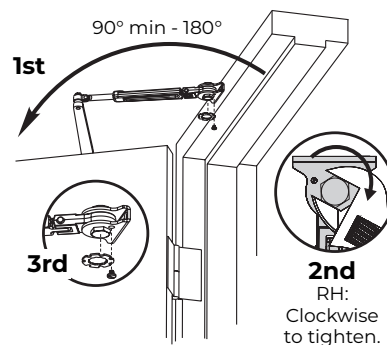
3. Remove dial from Hold Open arm and install separate arms.



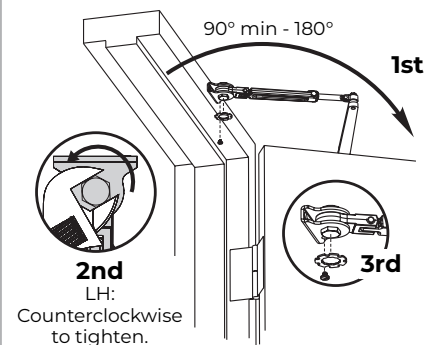
4. Connect arms, preload spring, and tighten set screw.



5. Set Hold Open.



Keep door open in position until dial screw secures dial.

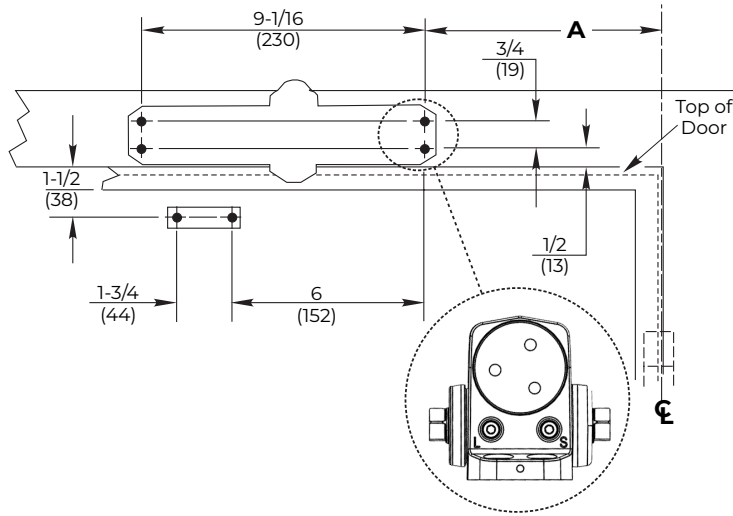


The **1600H Hold Open Closer - Regular Arm** has now been installed.

● Go to page 2 for closer adjustments and decorative cap or cover installation.

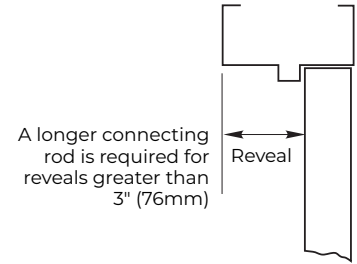
1600H Top Jamb Arm Installation (Right Hand Shown)

1. Prepare door and frame.

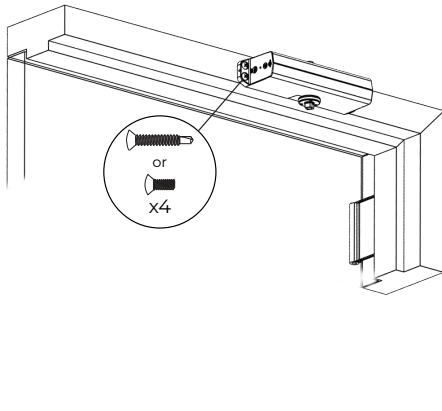


| Opening | Dimension "A" |
|---------------|---------------|
| to 100° | 7-1/2 (191) |
| 101° to 120° | 6 (152) |
| *121° to 180° | 3-1/2 (89) |

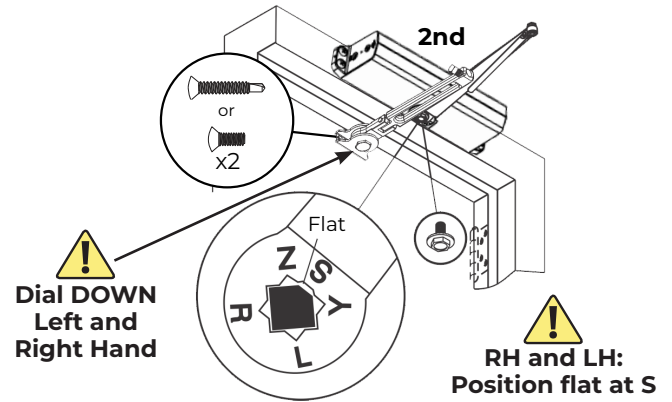
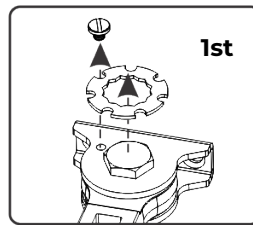
*Door/Wall/Hardware/Jamb conditions permitting



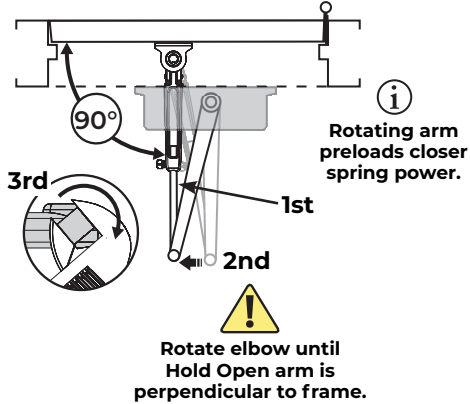
2. Mount closer to frame.



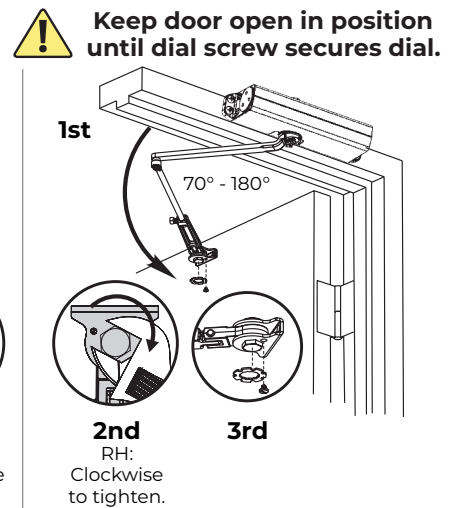
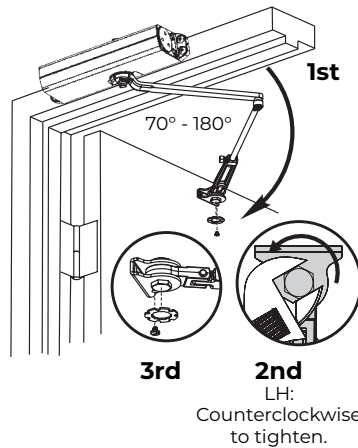
3. Remove dial from Hold Open arm and install separate arms.



4. Connect arms, preload spring, and tighten set screw.



5. Set Hold Open.

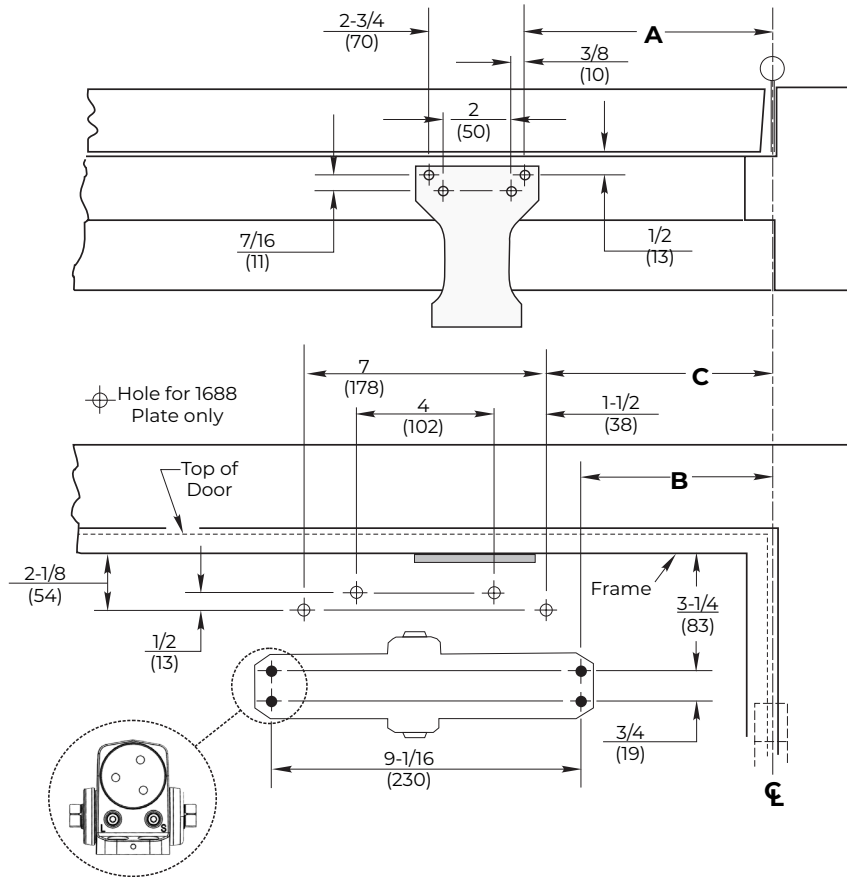


The **1600H Hold Open Closer - Top Jamb Mount** has now been installed.

● Go to page 2 for closer adjustments and decorative cap or cover installation.

1600H Parallel Arm Installation (Right Hand Shown)

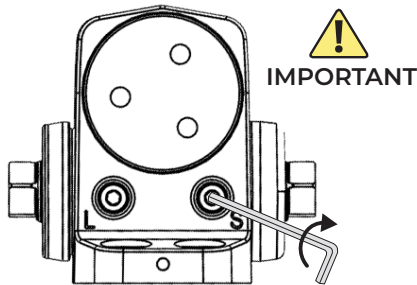
1. Prepare door and frame.



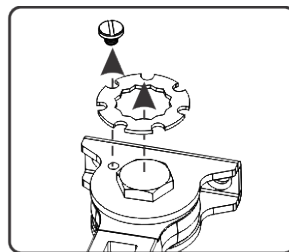
| Door Opening | Dimension "A" | Dimension "B" | Dimension "C" |
|---------------|---------------|---------------|---------------|
| to 100° | 9-1/4 (235) | 7-5/8 (194) | 8-5/8 (219) |
| 101° to 130° | 7-3/4 (197) | 6-1/8 (156) | 7-1/8 (181) |
| *131° to 180° | 5-3/4 (146) | 4-1/8 (105) | 5-1/8 (130) |

*Door/Wall/Hardware/Jamb conditions permitting

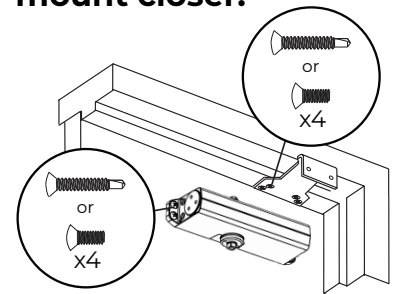
2. Close latch and sweep valves.



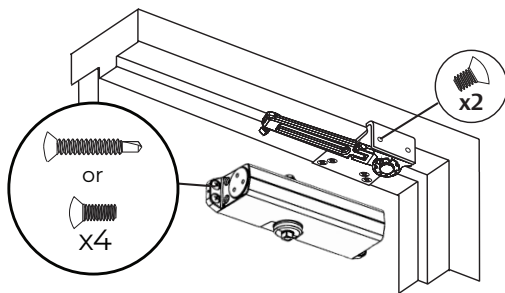
3. Remove dial from Hold Open arm.



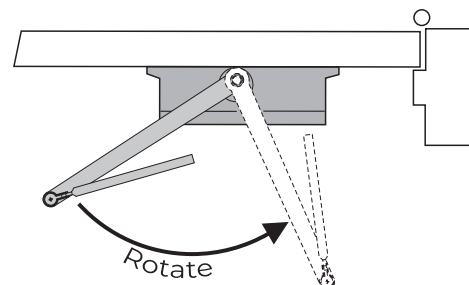
4. Install soffit plate and mount closer.



5. Install Hold Open arm to plate.



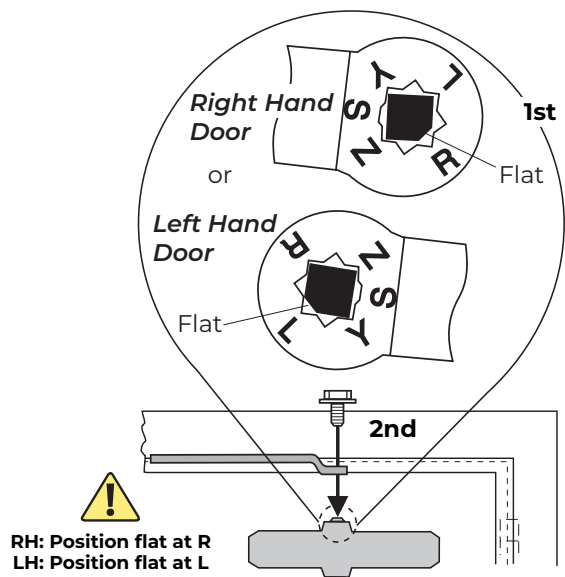
6. Place main arm on closer spindle and rotate.



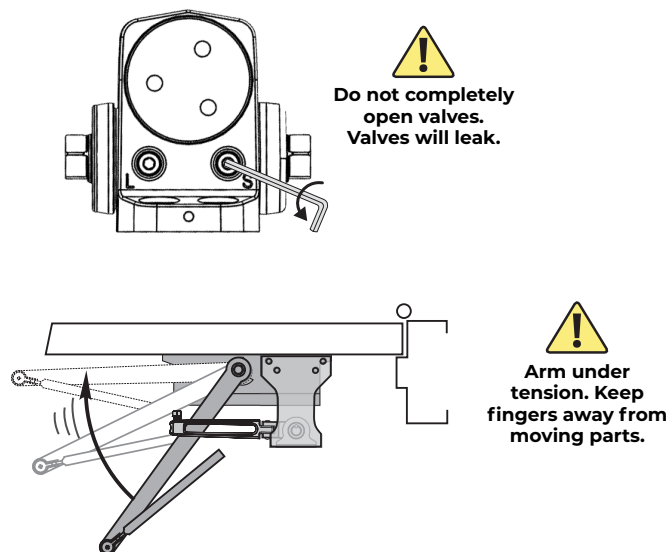
The ASSA ABLOY Group is the global leader in access solutions. Every day we help people feel safe, secure and experience a more open world.

1600H Parallel Arm Installation (Right Hand Shown) cont.

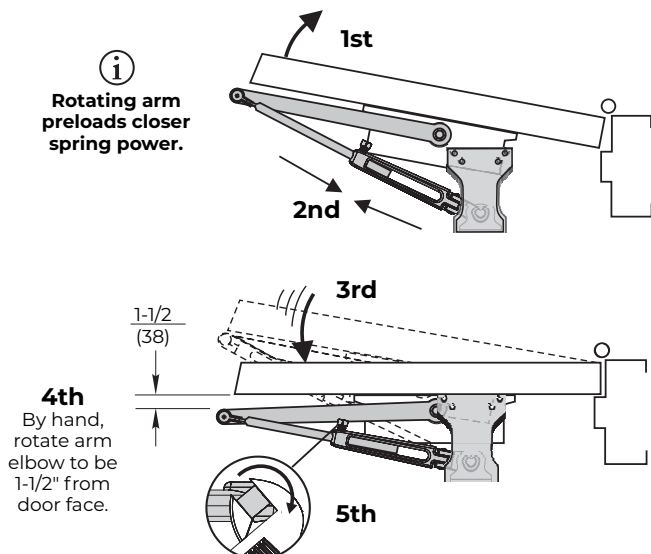
7. Remove arm and attach as shown.



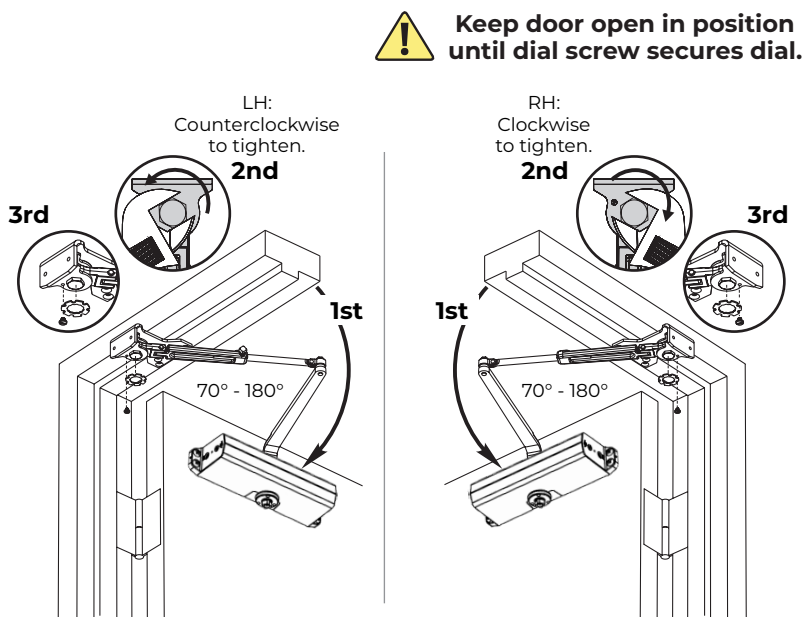
8. Open latch and sweep valves.



9. Connect arms, preload spring, and tighten set screw.



10. Set Hold Open.



The **1600H Hold Open Closer - Parallel Arm Mount** has now been installed.

● Go to page 2 for closer adjustments and decorative cap or cover installation.

Technical Product Support:
Monroe, NC 28112 USA
Phone: 877.974.2255 ext: 2
Techsupport.NortonRixson@assaabloy.com
NortonRixson.com

Norton Rixson is a brand associated with ASSA ABLOY Accessories and Door Controls Group, Inc., an ASSA ABLOY Group company. Copyright © 2019, 2020, 2022, ASSA ABLOY Accessories and Door Controls Group, Inc. All rights reserved. Reproduction in whole or in part without the express written permission of ASSA ABLOY Accessories and Door Controls Group, Inc. is prohibited.