


# 1680 Series Narrow Profile Non-Handed Door Closer

## Arm Models 1681, 1683BC, and 1684BC Installation Instructions

Non-hold Open arm models, adjustable size 1-6 (model 1681 ) and size 3 & 4 (models 1683BC and 1684BC).

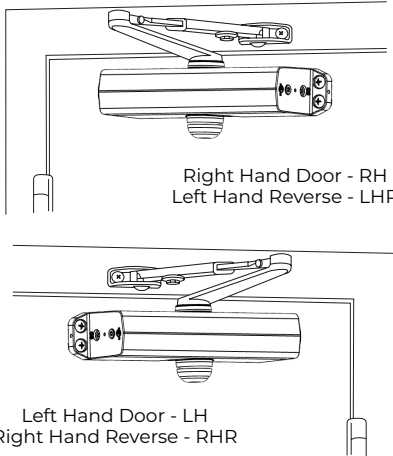
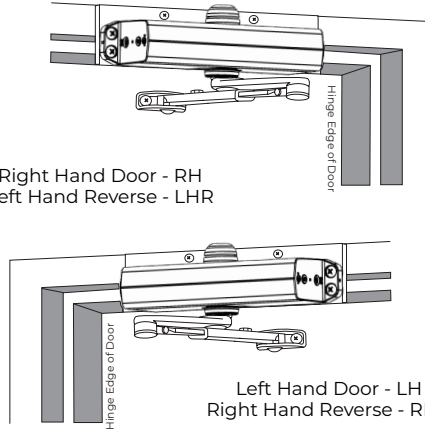
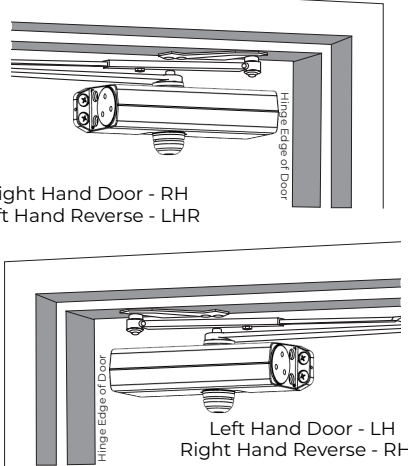


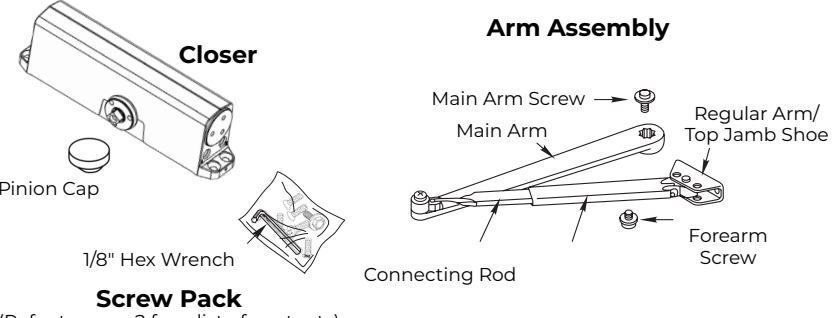
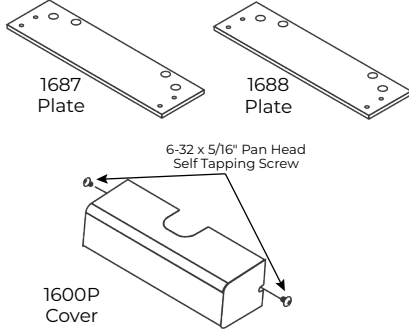
### WARNING

This product can expose you to lead which is known to the state of California to cause cancer and birth defects or other reproductive harm.

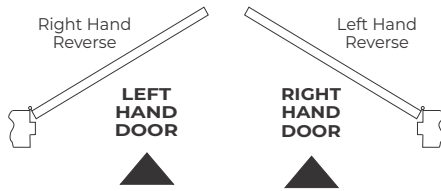
For more information go to: [www.P65warnings.ca.gov](http://www.P65warnings.ca.gov).

READ AND FOLLOW ALL INSTRUCTIONS.  
SAVE THESE INSTRUCTIONS.

Regular Arm	Top Jamb Mount*	Parallel Arm
 <p>Right Hand Door - RH Left Hand Reverse - LHR</p> <p>Left Hand Door - LH Right Hand Reverse - RHR</p>	 <p>Right Hand Door - RH Left Hand Reverse - LHR</p> <p>Left Hand Door - LH Right Hand Reverse - RHR</p> <p>*1687 Drop Plate required (sold separately)</p>	 <p>Right Hand Door - RH Left Hand Reverse - LHR</p> <p>Left Hand Door - LH Right Hand Reverse - RHR</p>

Included Components	Optional Components
 <p><b>Closer</b></p> <p>Pinion Cap</p> <p>1/8" Hex Wrench</p> <p><b>Screw Pack</b> (Refer to page 2 for a list of contents)</p> <p><b>Arm Assembly</b></p> <p>Main Arm Screw</p> <p>Main Arm</p> <p>Regular Arm/Top Jamb Shoe</p> <p>Forearm Screw</p> <p>Connecting Rod</p>	 <p><b>Optional Components</b></p> <p>1687 Plate</p> <p>1688 Plate</p> <p>6-32 x 5/16" Pan Head Self Tapping Screw</p> <p>1618A Parallel Arm Bracket (Used with Parallel Arm Installation Only)</p> <p>1600P Cover</p>

### To Determine Your Hand of Door:



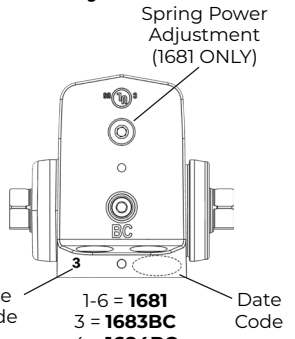
Right Hand Reverse

Left Hand Reverse

**LEFT HAND DOOR**

**RIGHT HAND DOOR**

### To Identify Your Model:



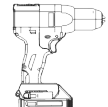
Spring Power Adjustment (1681 ONLY)

Size Code

1-6 = 1681  
3 = 1683BC  
4 = 1684BC

Date Code

### Tools Needed:

				
Tape Measure	Punch	Pencil	Phillips Screwdriver	Adjustable Wrench
		#7 and 1/4-20 for Metal	3/16" for Wood	9/32" and 3/8" for Either Nut & Bolt Option
Safety Glasses	Drill	#7 and 1/4-20 for Metal	3/16" for Wood	9/32" and 3/8" for Either Nut & Bolt Option

# 1680 Series Non-Hold Open Closer


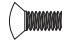
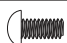



**ATTENTION:**

An incorrectly installed or improperly adjusted door closer can cause property damage or personal injury. These installation instructions should be followed to avoid the possibility of misapplication or misadjustment.

- For special applications, a separate door and frame preparation template is packed with these instructions. Use this instruction sheet for installation sequence and closer adjustments only.
- Doors should be hung on ball bearing or anti-friction hinges.

- A separate door stop is recommended.
- Always consult door/frame manufacturer for fastener compatibility.
- Door and frame must be properly reinforced.
- Adjust closing time speed between 3 and 7 seconds from 90° to 0°.
- These door closers should NOT be installed on exposed side (weather side) of exterior doors.
- Dimensions are given in inches (millimeters).

## Supplied Hardware

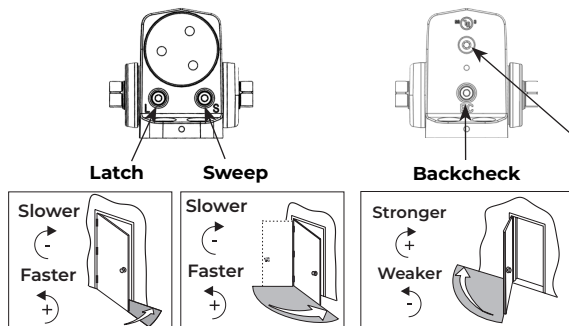
Mounting Hardware		Door or Frame	Drill
	<b>Closer, PA Bracket:</b> 1/4-14 x 1-1/2 Oval Flat Head Self Drilling. Screw	Wood/Metal	3/16" (4.8mm) for wood
	<b>Closer, PA Bracket:</b> 1/4-20 x 3/4 Oval Flat Head Mach. Screw	Metal	Drill #7 (.201 dia. or 5.10mm) Tap 1/4-20
	<b>Arm Shoe to Jamb or Door:</b> 1/4-20 x 5/8 Round Head Mach. Screw		
	<b>Arm Shoe to Jamb or Door:</b> 1/4-14 x 1-1/2 Round Head Self Drilling Screw	Wood/Metal	3/16" (4.8mm) for wood
	<b>Closer:</b> Sleeve Nut and Bolt (SNB) with 1/4-20 x 3/4 Oval Flat Head Mach. Screw (recommended)	Hollow Metal	9/32" (7.00mm) thru 3/8" (9.50mm) door face opposite to closer
		Aluminum or Wood	3/8" (9.50mm) thru
	<b>Closer:</b> Thru Bolt and Grommet Nut (TBGN) (optional)	All	9/32" (7.00mm) thru 3/8" (9.50mm) dia. x 3/8" (9.500mm) deep, door face opposite to closer

## Closer Adjustments



Use provided hex wrench to turn valves. **NEVER** force valves out of closer. **NEVER** completely close backcheck valve. Door must be open to adjust spring closing power. Refer to the chart.

Use of a power drill will void the Warranty.



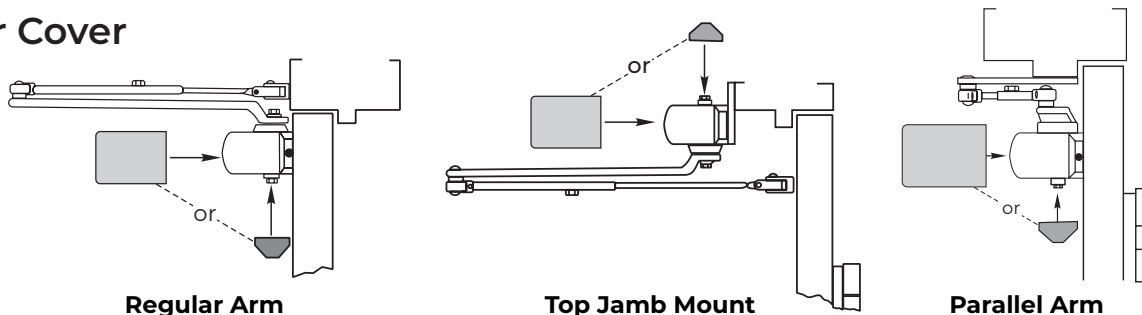
		Spring Closing Power		Number of Turns Required				
Door	Type of Installation	*	Maximum Door Size					
			34" (0.85M)	36" (0.90M)	40" (1.00M)	44" (1.10M)	48" (1.20M)	
1681	Interior	Full 360° Turns	Regular Arm Top Jamb	2	4	6	10	12
			Parallel Arm	3	5	8	11	14
	Exterior		Regular Arm Top Jamb	3	5	8	11	14
			Parallel Arm	5	8	11	16	19

\*30 Full (360°) turns maximum available  = turns as shipped

## Pinion Cap or Cover

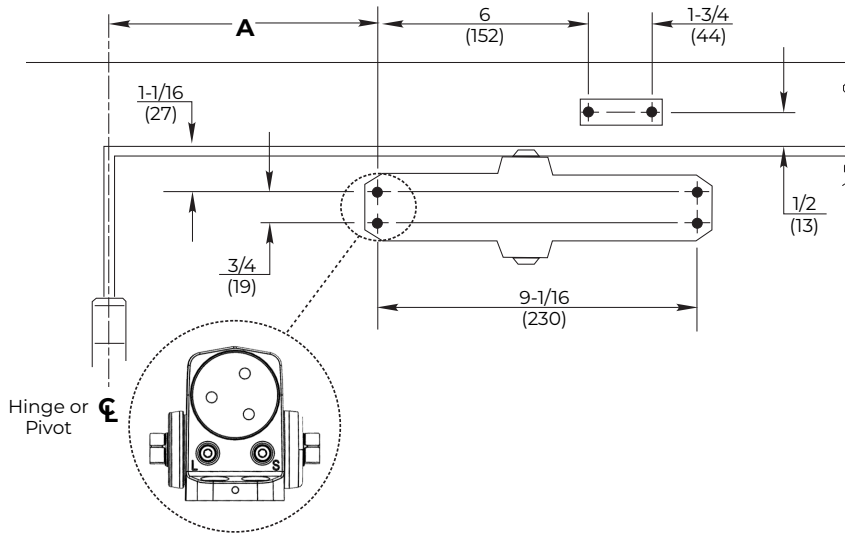


Do not over tighten cap or cover screws.



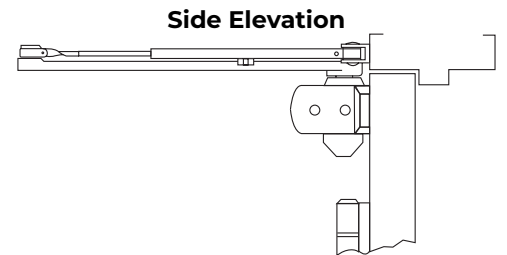
## 1680 Regular Arm Installation (Right Hand Shown)

### 1. Prepare door and frame.

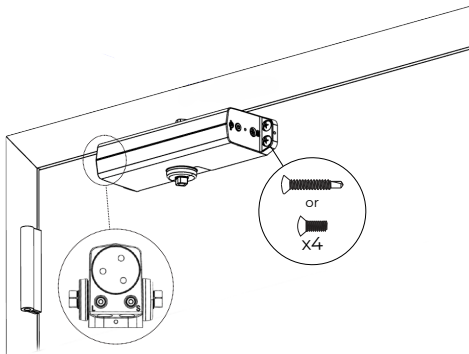


Opening	Dimension "A"
to 100°	7 (178)
101° to 120°	6 (152)
*121° to 180°	3-1/2 (89)

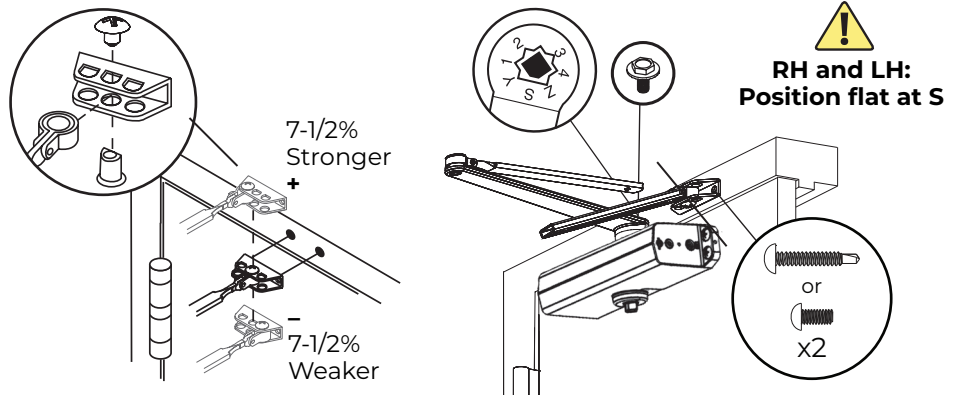
\*Door/Wall/Hardware/Jamb conditions permitting



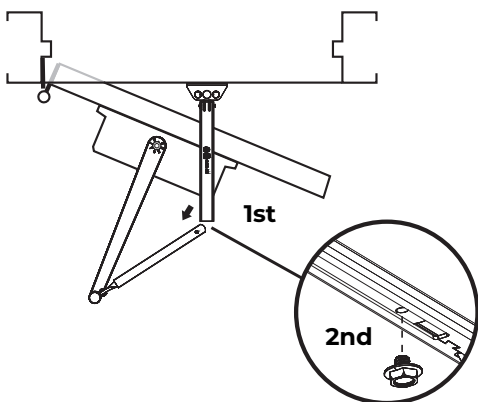
### 2. Mount closer to door.



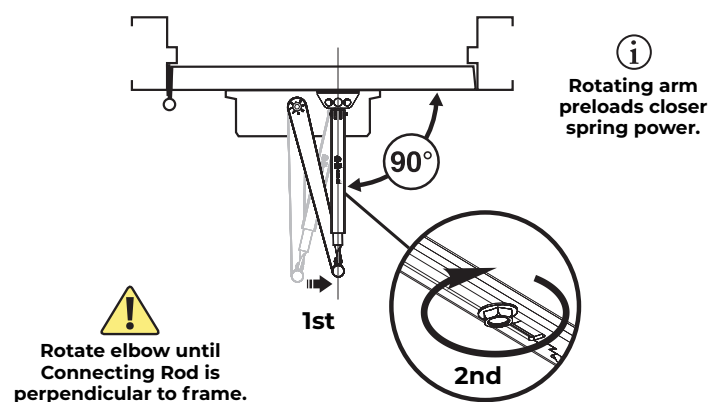
### 3. Choose arm placement in shoe and install separate arms.



### 4. Connect arms and install forearm screw.



### 5. Preload spring and tighten forearm screw.

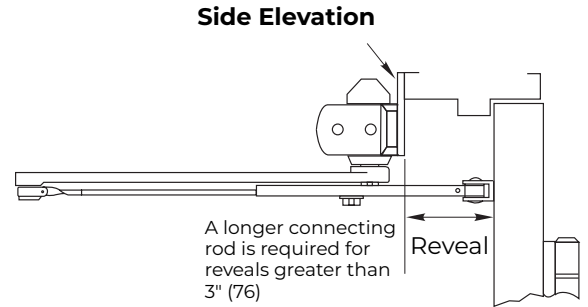
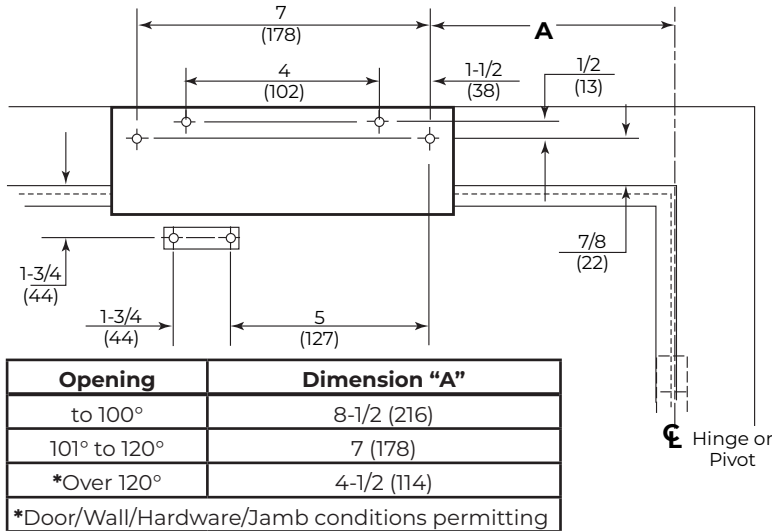


The **1680 Non Hold Open Closer - Regular Arm** has now been installed.

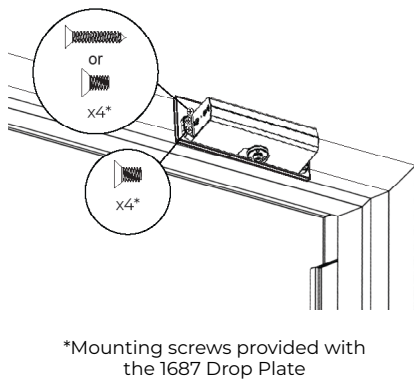
● Go to page 2 for closer adjustments and decorative cap or cover installation.

**1680 Top Jamb Arm Installation (Right Hand Shown)**

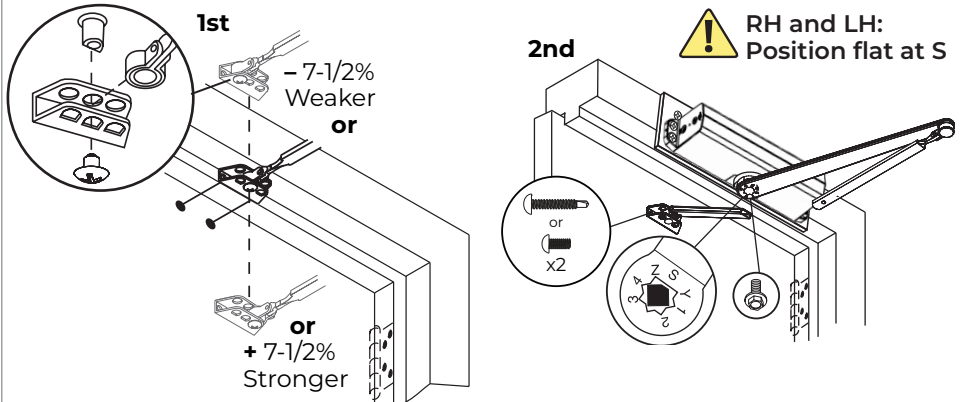
**1. Prepare door and frame.**



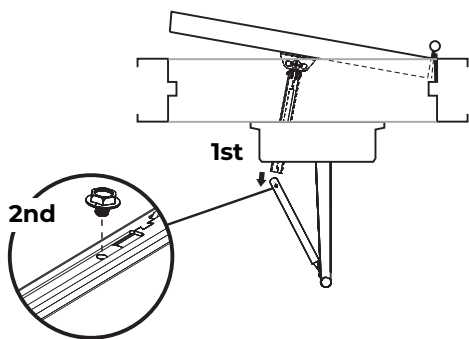
**2. Mount closer to frame.**



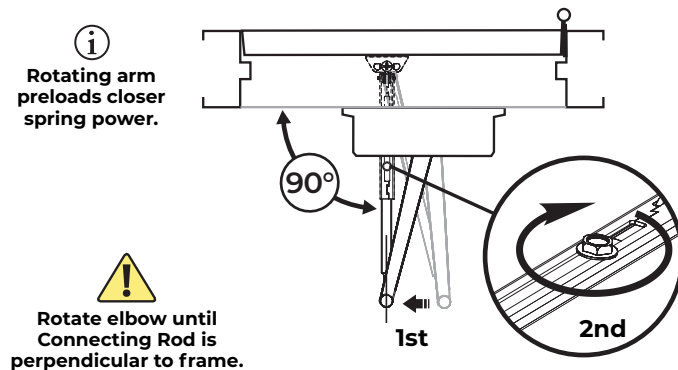
**3. Choose arm placement in shoe and install separate arms.**



**4. Connect arms and install forearm screw.**



**5. Preload spring and tighten forearm screw.**

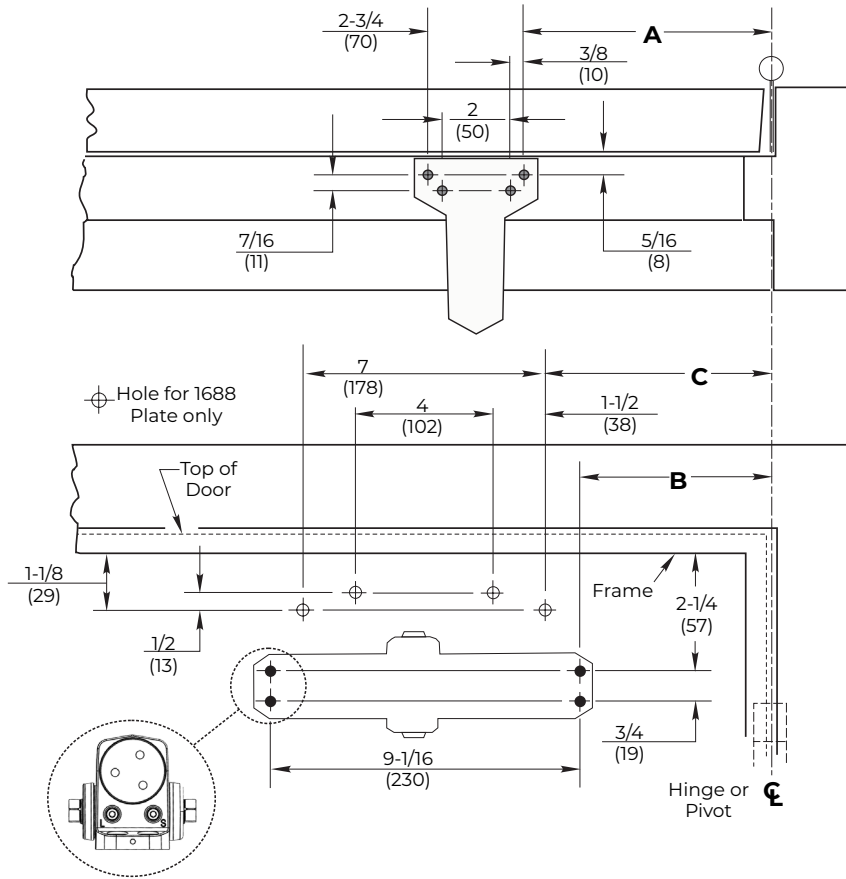


The **1680 Non Hold Open Closer - Top Jamb Mount** has now been installed.

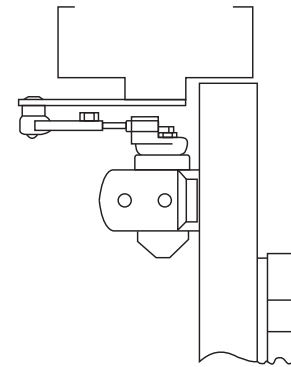
● Go to page 2 for closer adjustments and decorative cap or cover installation.

## 1680 Parallel Arm Installation (Right Hand Shown)

### 1. Prepare door and frame.



Side Elevation

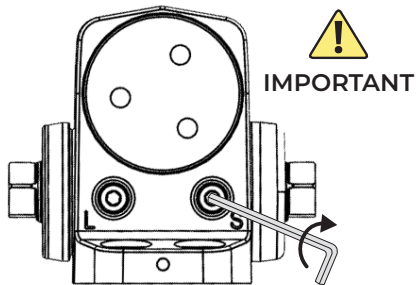


Door Opening	Dimension "A"	Dimension "B"	Dimension "C"
to 100°	9-1/4 (235)	7-5/8 (194)	8-5/8 (219)
101° to 130°	7-3/4 (197)	6-1/8 (156)	7-1/8 (181)
*Over 130°	5-3/4 (146)	4-1/8 (105)	5-1/8 (130)

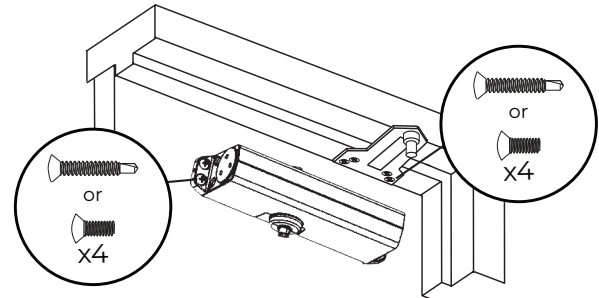
\*Door/Wall/Hardware/Jamb conditions permitting

**NOTE:** If top rail is 2-1/8" (54mm) or less and prevents closer from being mounted directly to the door surface, use 1688 Drop Plate. Prepare door and frame accordingly.

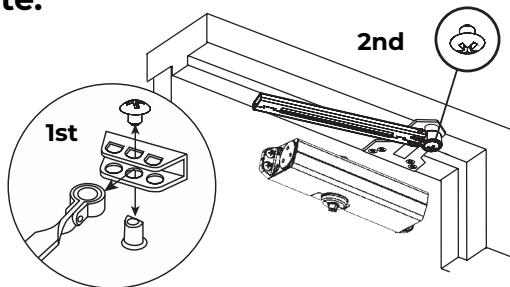
### 2. Close latch and sweep valves.



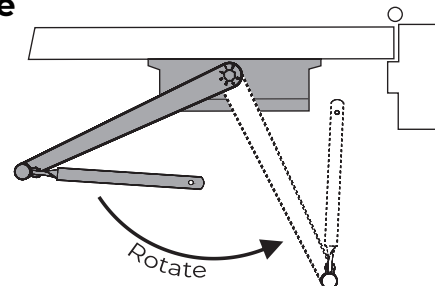
### 3. Install soffit plate and mount closer.



### 4. Remove arm shoe and install forearm to plate.



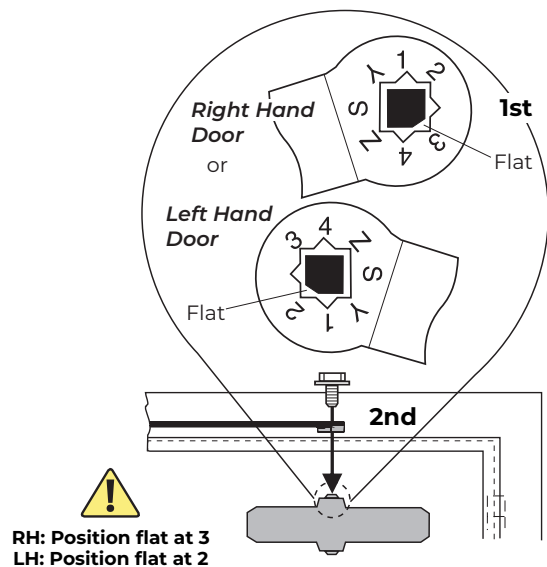
### 5. Place main arm on closer spindle and rotate



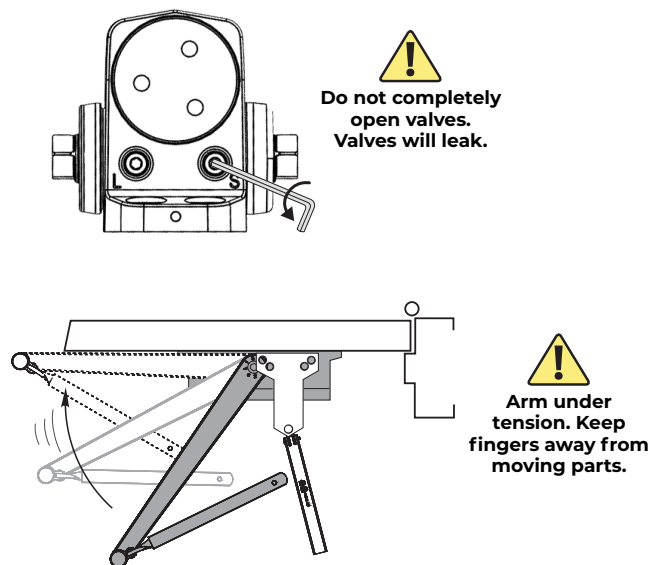
The ASSA ABLOY Group is the global leader in access solutions. Every day we help people feel safe, secure and experience a more open world.

## 1680 Parallel Arm Installation (Right Hand Shown) cont.

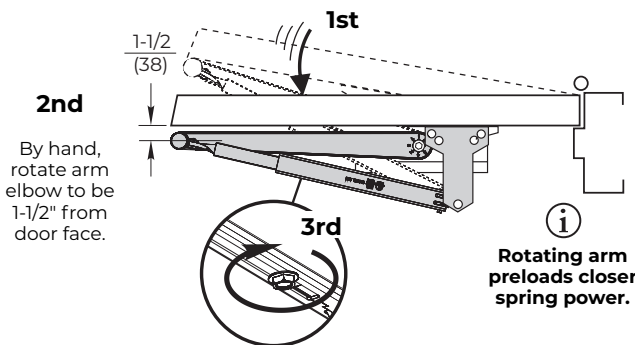
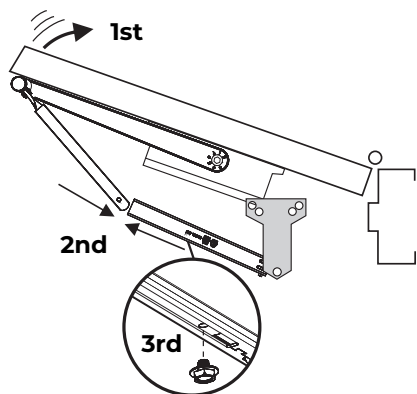
### 6. Remove arm and attach as shown.



### 7. Open latch and sweep valves.



### 8. Connect arms and install forearm screw. 9. Preload spring and tighten forearm screw.



The **1680 Non Hold Open Closer - Parallel Arm Mount** has now been installed.

● Go to page 2 for closer adjustments and decorative cap or cover installation.

Technical Product Support:  
Monroe, NC 28112 USA  
Phone: 877.974.2255 ext: 2  
Techsupport.NortonRixson@assaabloy.com  
NortonRixson.com

Norton Rixson is a brand associated with ASSA ABLOY Accessories and Door Controls Group, Inc., an ASSA ABLOY Group company. Copyright © 2019, 2020, 2022, ASSA ABLOY Accessories and Door Controls Group, Inc. All rights reserved. Reproduction in whole or in part without the express written permission of ASSA ABLOY Accessories and Door Controls Group, Inc. is prohibited.