

# 1600 Series Cushion Stop Non-Handed Door Closer

## Arm Models CA1601, CA1603BC, and CA1604BC



### Installation Instructions

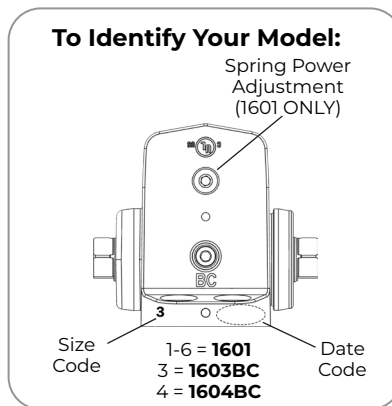
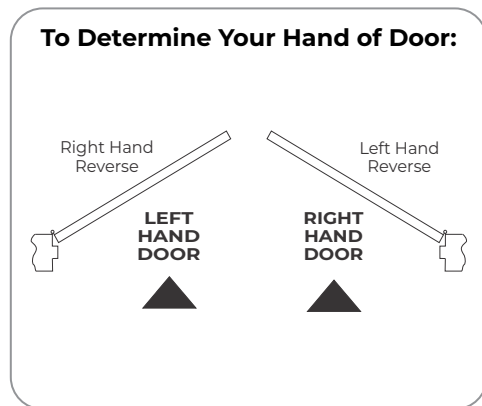
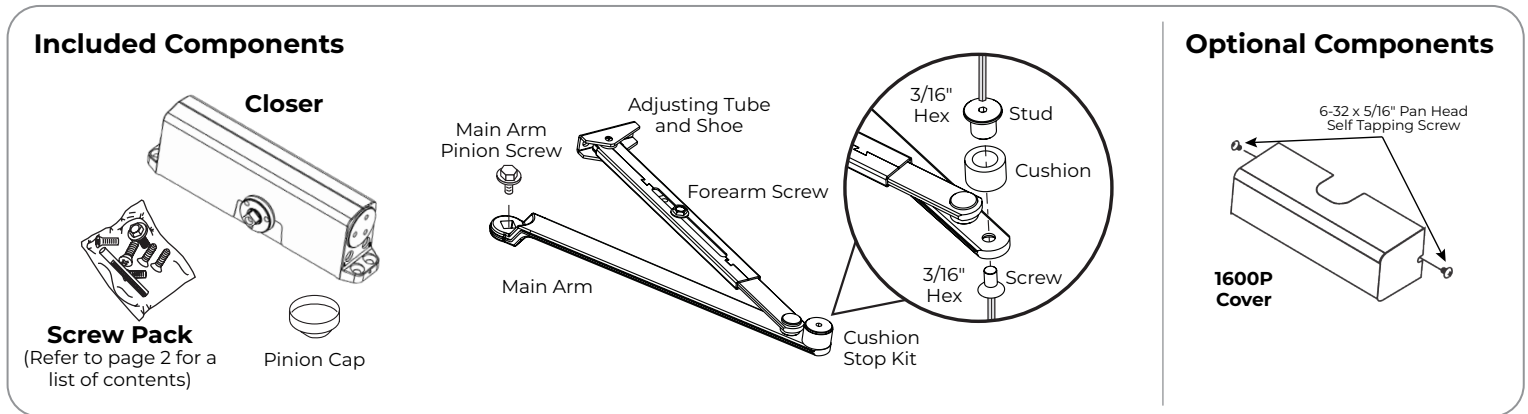
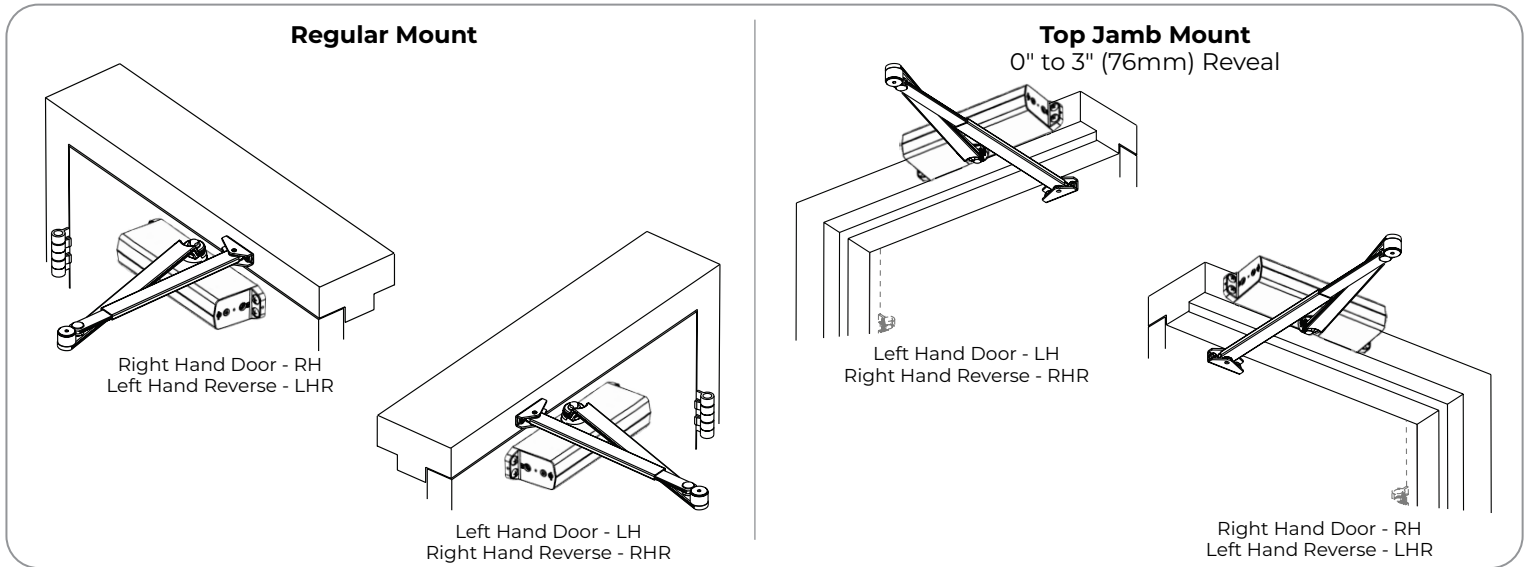
Non-hold Open models, adjustable size 1-6 (CA1601 model ) and size 3 & 4 (CA1603BC and CA1604BC models).

#### WARNING

This product can expose you to lead which is known to the state of California to cause cancer and birth defects or other reproductive harm.

For more information go to: [www.P65warnings.ca.gov](http://www.P65warnings.ca.gov).

READ AND FOLLOW ALL INSTRUCTIONS.  
SAVE THESE INSTRUCTIONS.



**ATTENTION:**

An incorrectly installed or improperly adjusted door closer can cause property damage or personal injury. These installation instructions should be followed to avoid the possibility of misapplication or misadjustment.

- For special applications, a separate door and frame preparation template is packed with these instructions. Use this instruction sheet for installation sequence and closer adjustments only.
- Doors should be hung on ball bearing or anti-friction hinges.

- Door and frame must be properly reinforced.
- Always consult door/frame manufacturer for fastener compatibility.
- Adjust closing time speed between 4 and 7 seconds from 90° to 0°. Use of door by handicapped, elderly or small children may require greater closing time.
- These door closers should NOT be installed on exposed side (weather side) of exterior doors.
- Dimensions are given in inches (millimeters).

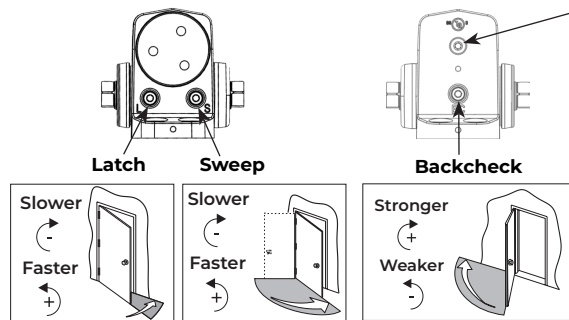
## Supplied Hardware

Mounting Hardware	Door or Frame	Drill
<b>Closer, PA Bracket:</b> 1/4-14 x 1-1/2 Oval Flat Head Self Drilling Screw	Wood/Metal	3/16" (4.8mm) for wood
<b>Closer, PA Bracket:</b> 1/4-20 x 3/4 Oval Flat Head Mach. Screw	Metal	Drill #7 (.201 dia. or 5.10mm) Tap 1/4-20
<b>Arm Shoe to Jamb or Door:</b> 1/4-20 x 5/8 Round Head Mach. Screw		
<b>Arm Shoe to Jamb or Door:</b> 1/4-14 x 1-1/2 Round Head Self Drilling Screw	Wood/Metal	3/16" (4.8mm) for wood
<b>Closer:</b> Sleeve Nut and Bolt (SNB) with 1/4-20 x 3/4 Oval Flat Head Mach. Screw (recommended)	Hollow Metal	9/32" (7.0mm) thru 3/8" (9.5mm) door face opposite to closer
	Aluminum or Wood	3/8" (9.5mm) thru
<b>Closer:</b> Thru Bolt and Grommet Nut (TBGN) (optional)	All	9/32" (7.0mm) thru 3/8" (9.5mm) dia. x 3/8" (9.5mm) deep, door face opposite to closer

## Closer Adjustments

Use provided hex wrench to turn valves. NEVER force valves out of closer. NEVER completely close backcheck valve. Door must be open to adjust spring closing power. Refer to the chart.

Use of a power drill will void the Warranty.

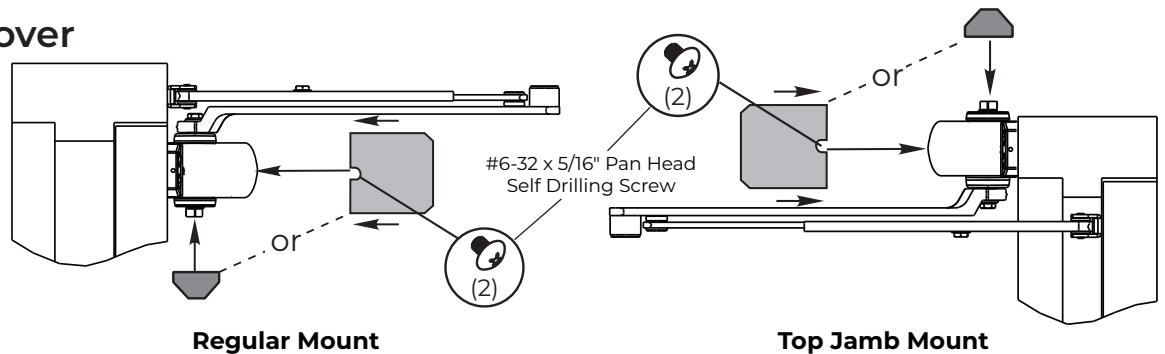


		Power Adjustment Chart					
Door	Type of Inst.	*	Maximum Door Size				
			34" (0.85M)	36" (0.90M)	40" (1.00M)	44" (1.10M)	48" (1.20M)
CA1601	INT Regular Arm Top Jamb	Full 360° Turns	2	4	6	10	12
	EXT Regular Arm Top Jamb		3	5	8	11	14

\*30 Full (360°) turns maximum available = turns as shipped

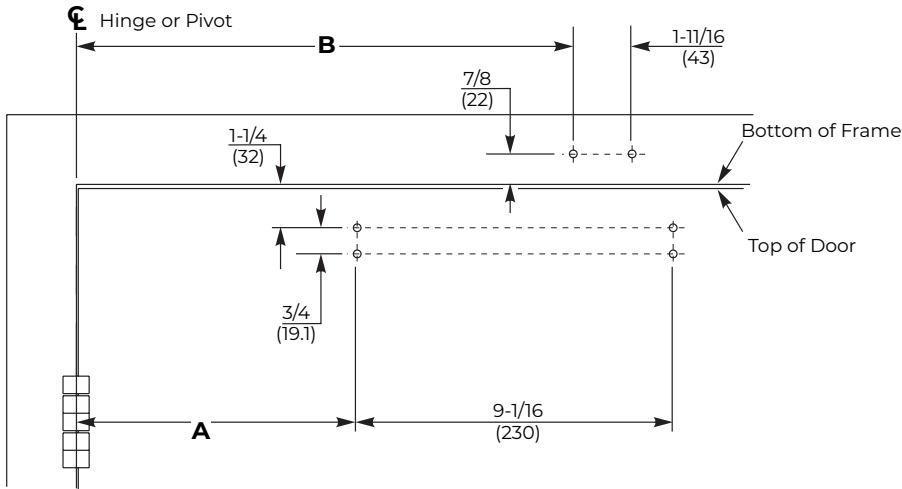
## Pinion Cap or Cover

Do not over tighten screws



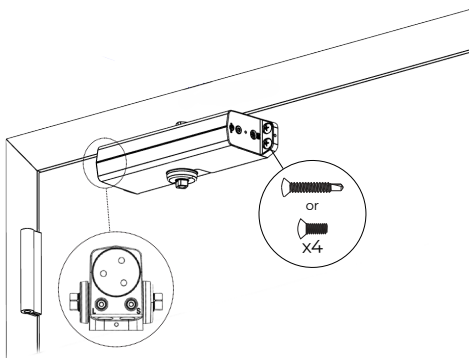
## CA1600 Regular Mount Installation (Right Hand Shown)

### 1. Prepare door and frame.

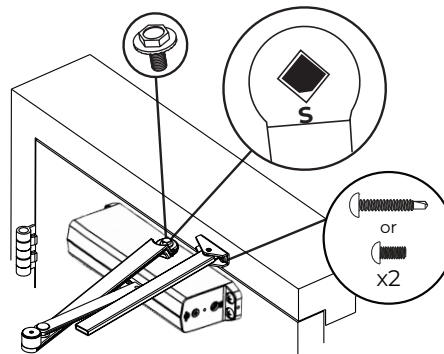


Hold Open	A	B
Up to 85°	8-3/4 (222)	14-3/4 (375)
85° - 90°	8-1/4 (210)	14-1/4 (362)
90° - 95°	7-3/4 (197)	13-3/4 (349)
95° - 100°	7-1/4 (184)	13-1/4 (337)
100° - 105°	6-3/4 (171)	12-3/4 (324)
105° - 110°	6-3/8 (162)	12-3/8 (314)

### 2. Mount closer to door.

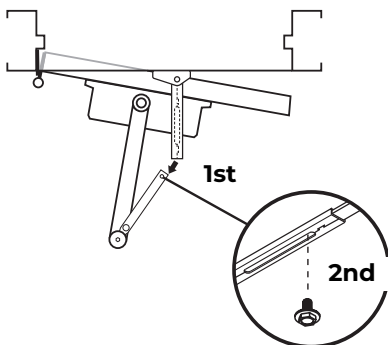


### 3. Install separate arms.

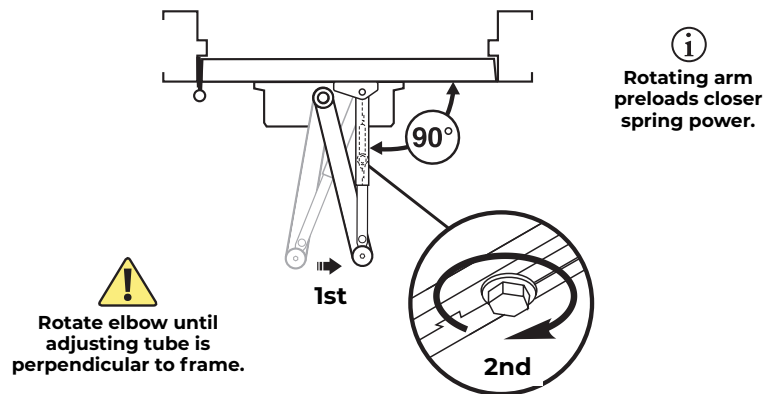


**!** RH and LH:  
Position flat at S

### 4. Connect arms and install forearm screw.



### 5. Preload spring and tighten forearm screw.



**!** Rotate elbow until  
adjusting tube is  
perpendicular to frame.

**i** Rotating arm  
preloads closer  
spring power.

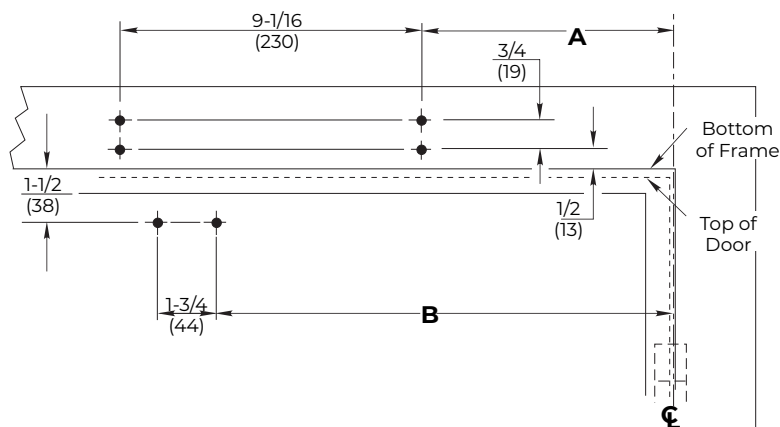
The **CA1600 Non Hold Open Closer - Regular Arm** has now been installed.

● Go to page 2 for closer adjustments and decorative cap or cover installation.

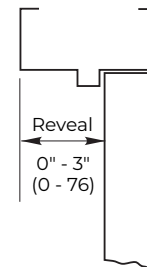
The ASSA ABLOY Group is the global leader in access solutions. Every day we help people feel safe, secure and experience a more open world.

## CA1600 Top Jamb Mount Installation (Right Hand Shown)

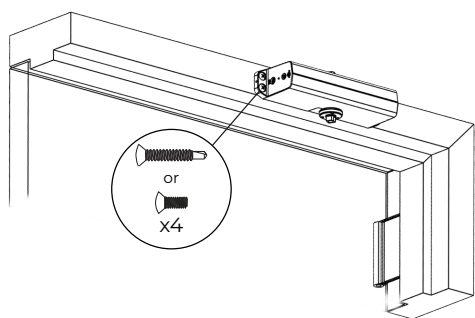
### 1. Prepare door and frame.



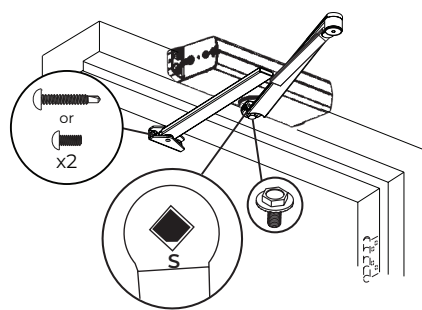
Hold Open	A	B
Up to 85°	8-1/8 (206)	14-1/4 (362)
85° - 90°	7-5/8 (194)	13-3/4 (349)
90° - 95°	7 (178)	12-7/8 (327)
95° - 100°	6-1/2 (165)	12-3/8 (314)
100° - 105°	6 (152)	11-7/8 (302)
105° - 110°	5-1/2 (140)	11-5/8 (295)



### 2. Mount closer to door.

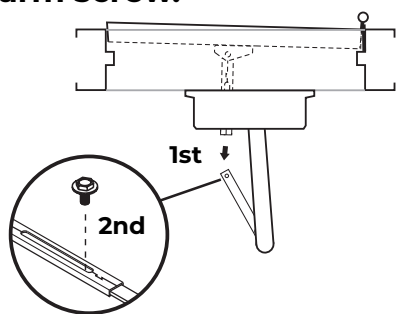


### 3. Install separate arms.

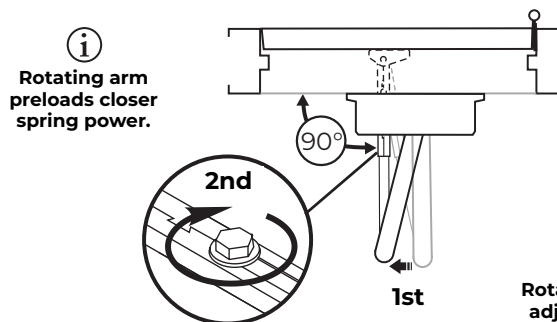


**!** RH and LH:  
Position flat at S

### 4. Connect arms and install forearm screw.



### 5. Preload spring and tighten forearm screw.



**i**  
Rotating arm  
preloads closer  
spring power.

**!**  
Rotate elbow until  
adjusting tube is  
perpendicular to frame.

The **CA1600 Non Hold Open Closer - Top Jamb Mount** has now been installed.

● Go to page 2 for closer adjustments and decorative cap or cover installation.

Technical Product Support:  
Monroe, NC 28112 USA  
Phone: 877.974.2255 ext: 2  
Techsupport.NortonRixson@assaabloy.com  
NortonRixson.com

Norton Rixson is a brand associated with ASSA ABLOY Accessories and Door Controls Group, Inc., an ASSA ABLOY Group company.  
Copyright © 2019, 2020, 2022, ASSA ABLOY Accessories and Door Controls Group, Inc. All rights reserved. Reproduction in whole or in part without the express written permission of ASSA ABLOY Accessories and Door Controls Group, Inc. is prohibited.