

1600 Series Door Closer

Parallel Rigid Arm and CloserPlus Models

Standard Frame, Narrow Frame, and Flush Partition

Installation Instructions

Parallel Rigid Arm models: PR1601 (Adjustable from size 1-6), PR1603BC/PR1604BC (Size 3 and 4)
 CloserPlus Models: CLP1601 (Adjustable from size 1-6), CLP1603BC/CLP1604BC (Size 3 and 4).

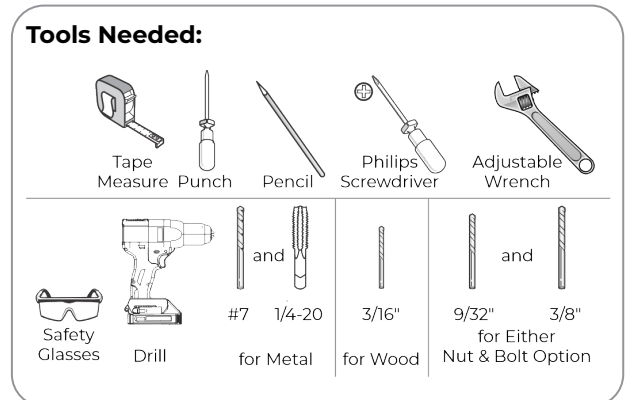
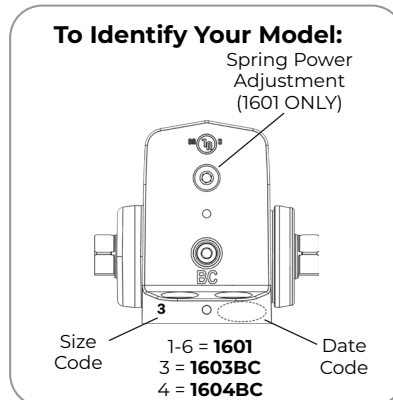
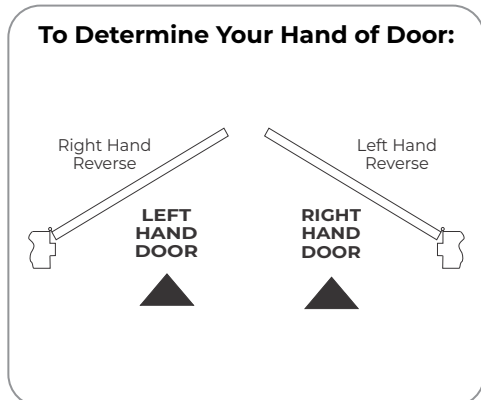
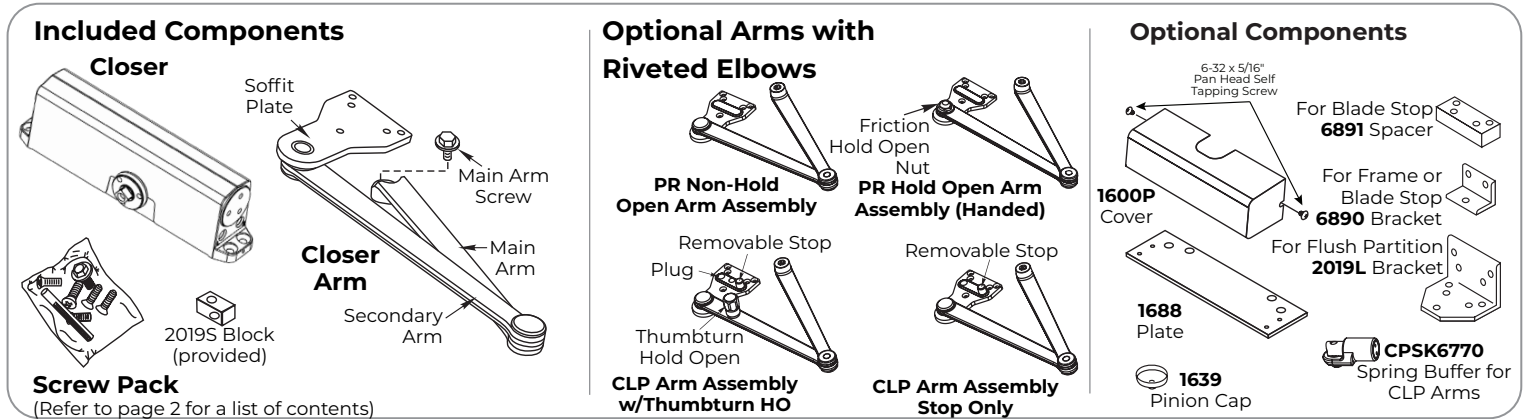
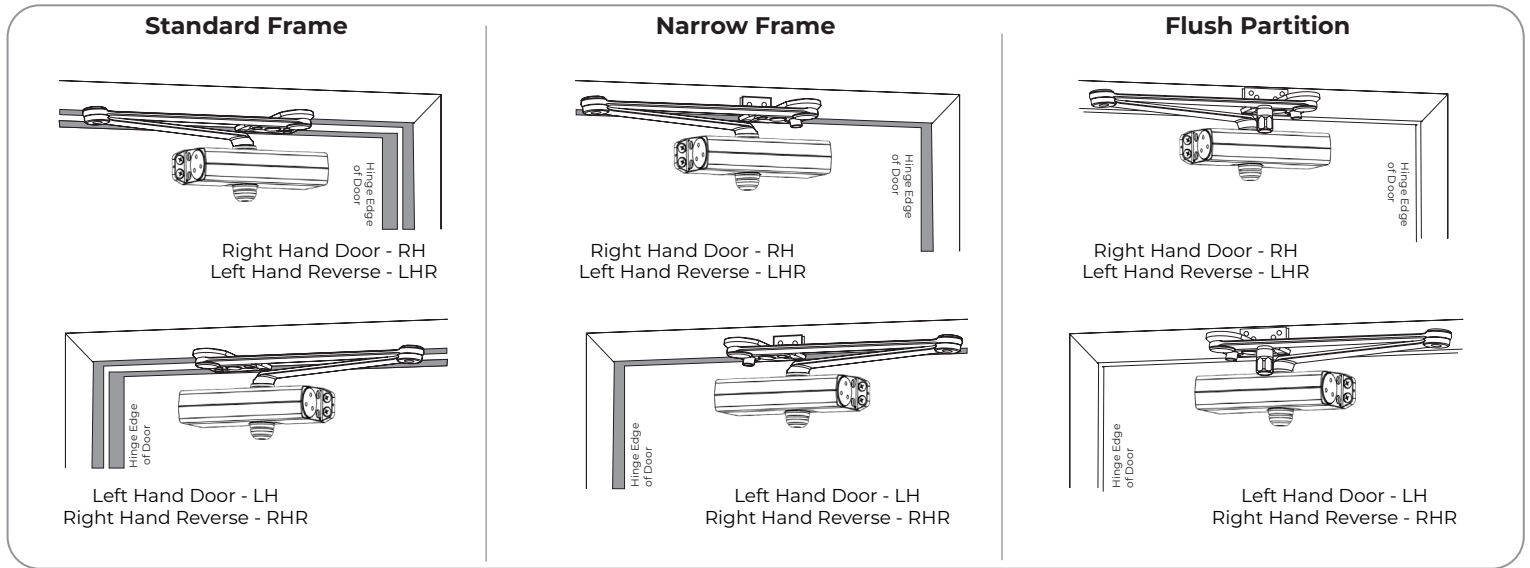


⚠ WARNING

This product can expose you to lead which is known to the state of California to cause cancer and birth defects or other reproductive harm.

For more information go to: www.P65warnings.ca.gov.

READ AND FOLLOW ALL INSTRUCTIONS.
 SAVE THESE INSTRUCTIONS.








ATTENTION:

An incorrectly installed or improperly adjusted door closer can cause property damage or personal injury. These installation instructions should be followed to avoid the possibility of misapplication or misadjustment.

- For special applications, a separate door and frame preparation template is packed with these instructions. Use this instruction sheet for installation sequence and closer adjustments only.
- Doors should be hung on ball bearing or anti-friction hinges.

- A separate door stop is recommended.
- Always consult door/frame manufacturer for fastener compatibility.
- Door and frame must be properly reinforced.
- Adjust closing time speed between 3 and 7 seconds from 90° to 0°.
- These door closers should NOT be installed on exposed side (weather side) of exterior doors.
- Dimensions are given in inches (millimeters).

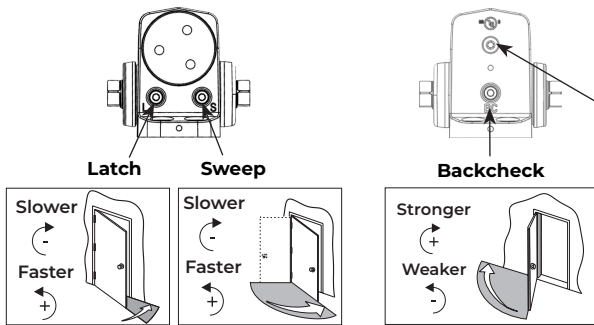
Supplied Hardware

Mounting Hardware		Door or Frame	Drill
	Closer, Soffit Plate: 1/4-14 x 1-1/2 Oval Flat Head Self-Drilling Screw	Wood/Metal	3/16" (4.8mm) for wood
	Closer, Soffit Plate: 1/4-20 x 3/4 Oval Flat Head Mach. Screw	Metal	Drill #7 (.201 dia. or 5.1mm) Tap 1/4-20
	Soffit Plate: 1/4-20 x 1-1/2 Oval Flat Head Mach. Screw		3/16" (4.8mm) for wood
	Closer: Sleeve Nut and Bolt (SNB) with 1/4-20 x 3/4 Oval Flat Head Mach. Screw (recommended)	Hollow Metal	9/32" (7.0mm) thru 3/8" (9.5mm) door face opposite to closer
		Aluminum or Wood	3/8" (9.5mm) thru
	Closer: Thru Bolt and Grommet Nut (TBGN) (optional)	All	9/32" (7.0mm) thru 3/8" (9.5mm) dia. x 3/8" (9.5mm) deep, door face opposite to closer


Closer Adjustments

 Use provided hex wrench to turn valves. NEVER force valves out of closer. NEVER completely close backcheck valve. Door must be open to adjust spring closing power. Refer to the chart.

Use of a power drill will void the Warranty.

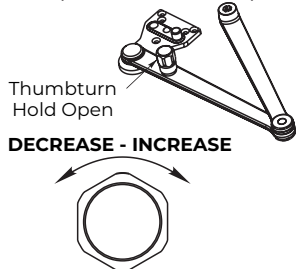


Spring Closing Power		Number of Turns Required					
Door	Parallel Arm	*	Maximum Door Size				
			34" (0.85M)	36" (0.90M)	40" (1.00M)	44" (1.10M)	48" (1.20M)
Interior	PR1601/ CLP1601	Full 360° Turns	3	5	8	11	14
Exterior			5	8	11	16	19

*30 Full (360°) turns maximum available  = turns as shipped

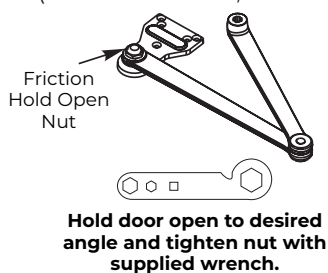
Thumbturn Hold-Open

Option for CloserPlus Arm (Units suffixed T)



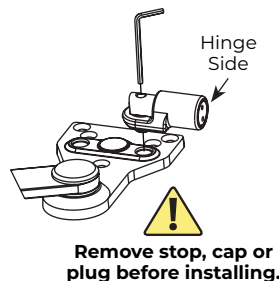
Friction Hold-Open

Option for Parallel Rigid Arm (Units suffixed H; Handed)

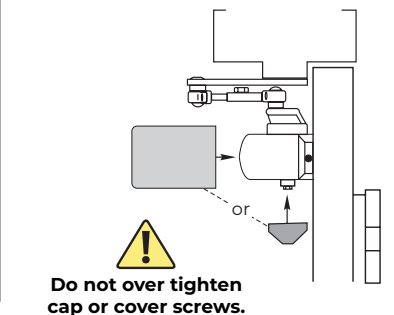


Spring Buffer

Option for CLP Arm



Pinion Cap or Cover

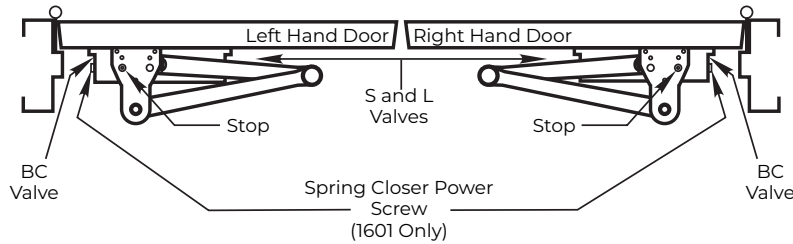


1600 Closer Installation

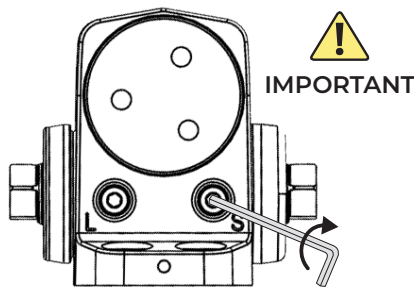
1. Prepare door and frame.

1. Determine closer model, arm model and all optional components are appropriate for desired application.
2. Select angle of opening.
3. Using standard frame, narrow frame or flush partition template, mark and drill four (4) holes on push side of door for closer body (Dims A and B) **OR** 1688 drop plate (Dims A and C).
4. Using template, mark and drill five (5) holes on stop and/or rabbet for soffit plate **OR** four (4) holes on transom face for 2019L bracket.

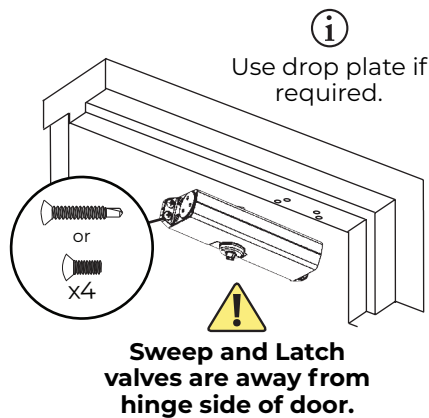
NOTE: Be sure to measure from centerline of pivot.



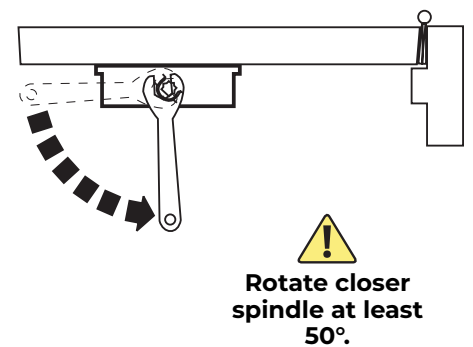
2. Close latch and sweep valves



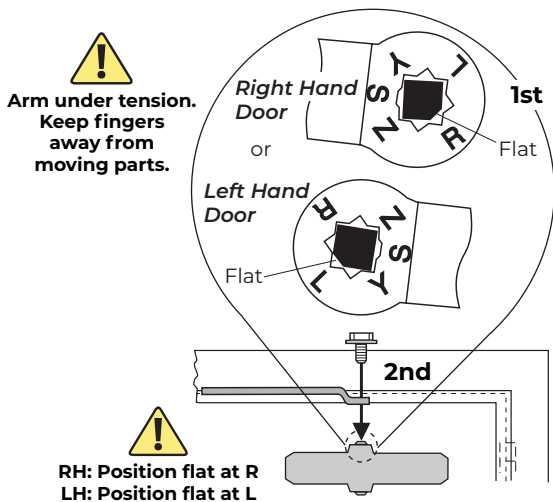
3. Mount closer.



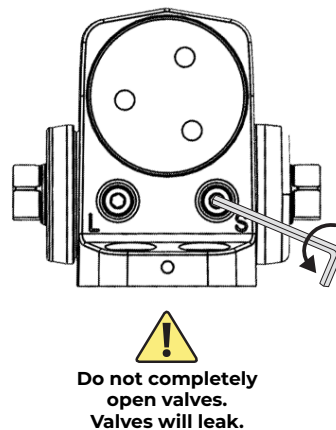
4. Rotate closer spindle.



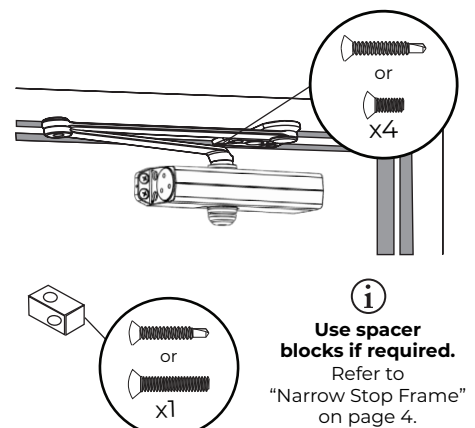
5. Install arm.



6. Open latch and sweep valves.



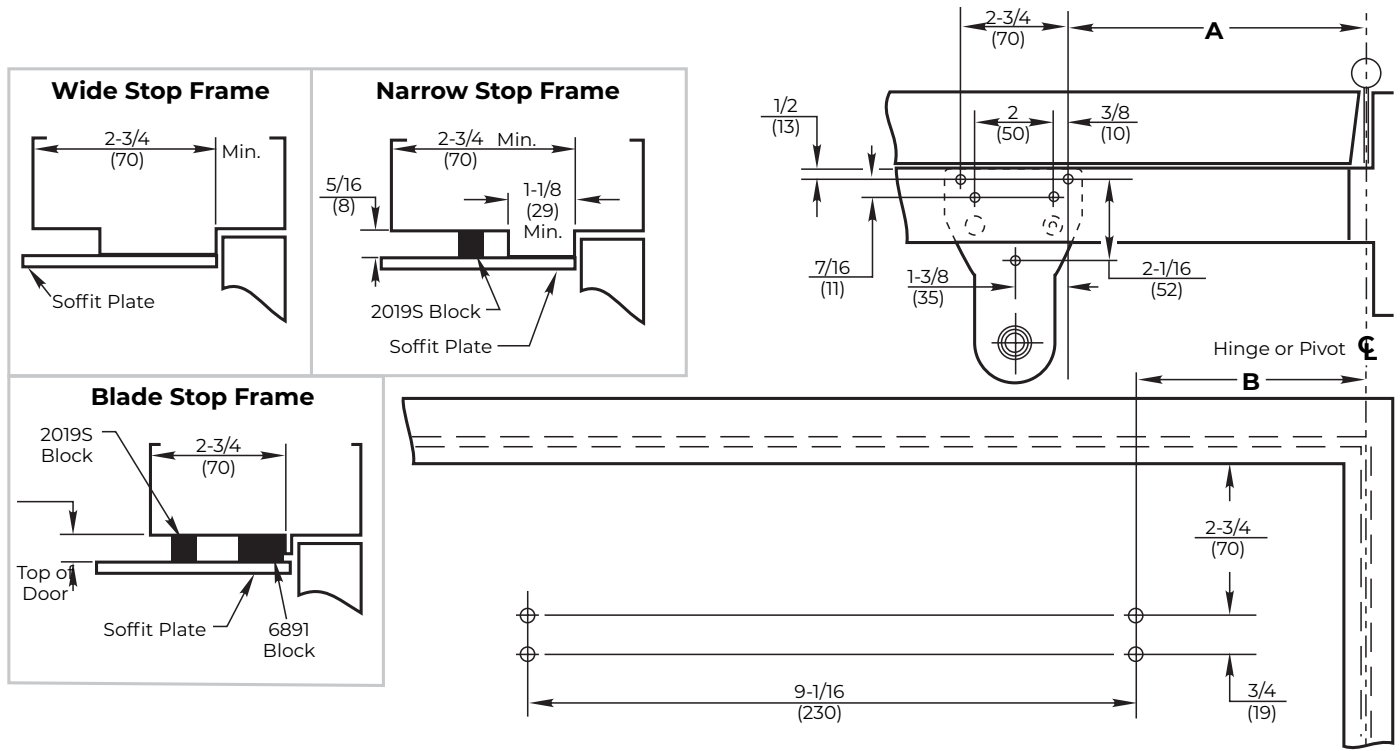
7. Fasten soffit plate to frame with door closed.



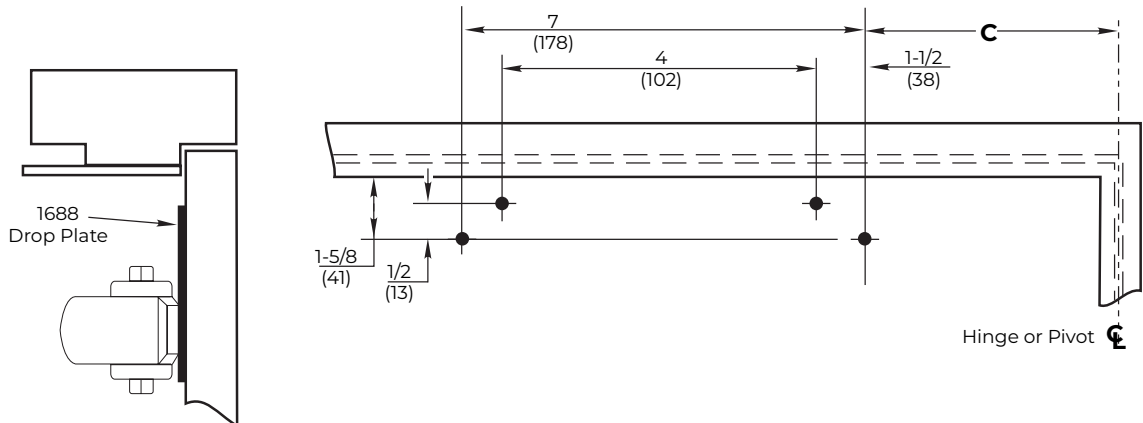
The **PR1600** or **CLP1600 Closer** has now been installed.

- Go to page 2 for closer adjustments and decorative cap or cover installation.

Standard Frame Applications (Right Hand Shown)

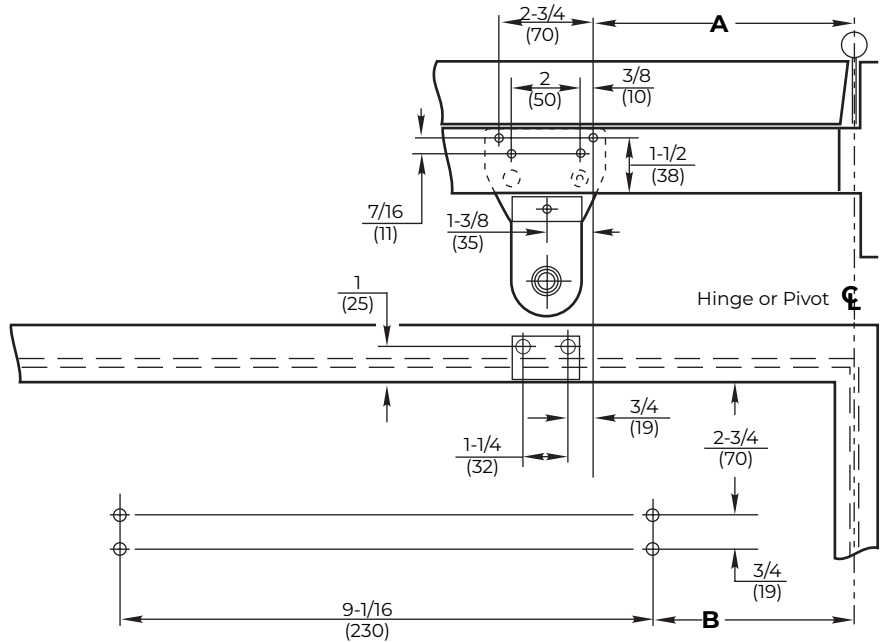
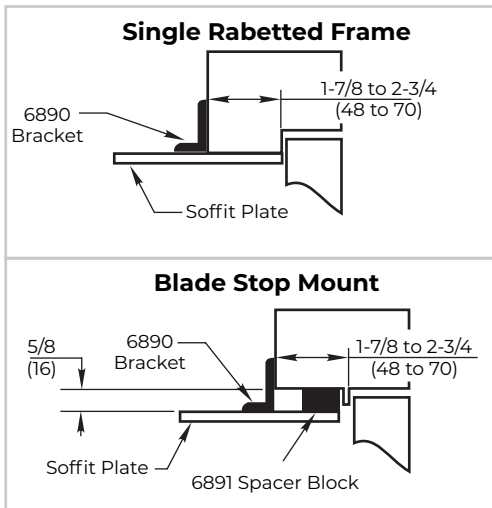


Standard Frame with 1688 Drop Plate Applications (Right Hand Shown)

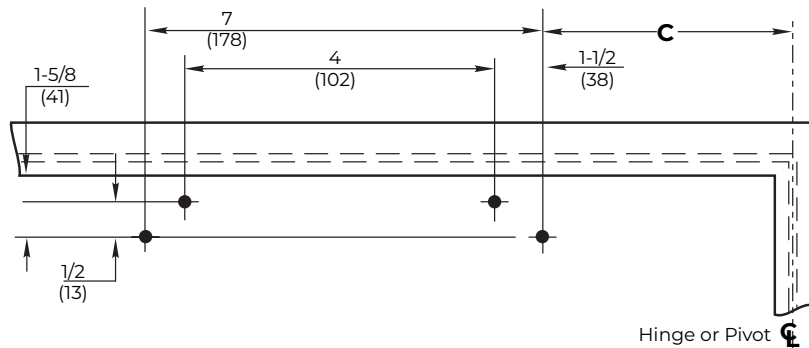
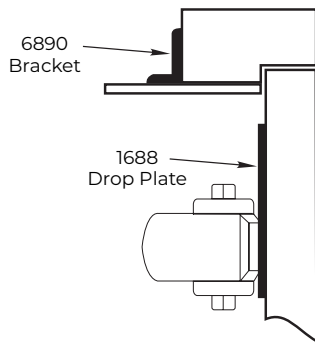


Standard Frame										
	Dim	Up to 85°	85° - 90°	90° - 95°	95° - 100°	100° - 105°	105° - 110°	110° - 130°	130° - 180°	
Parallel Rigid Models	A	9-5/8 (244)				8-1/8 (206)			6-1/8 (156)	
	B	7-5/8 (194)				6-1/8 (156)			4-1/8 (105)	
	C	8-5/8 (219)				7-1/8 (181)			5-1/8 (130)	
CloserPlus Models	A	11-1/8 (283)	10-3/8 (264)	9-5/8 (244)	9 (229)	8-3/8 (213)	7-3/4 (197)	-	-	
	B	9-1/8 (232)	8-3/8 (213)	7-5/8 (194)	7 (178)	6-3/8 (162)	5-3/4 (146)	-	-	
	C	10-1/8 (257)	9-3/8 (238)	8-5/8 (219)	8 (203)	7-3/8 (187)	6-3/4 (171)	-	-	

Narrow Frame Applications (Right Hand Shown)



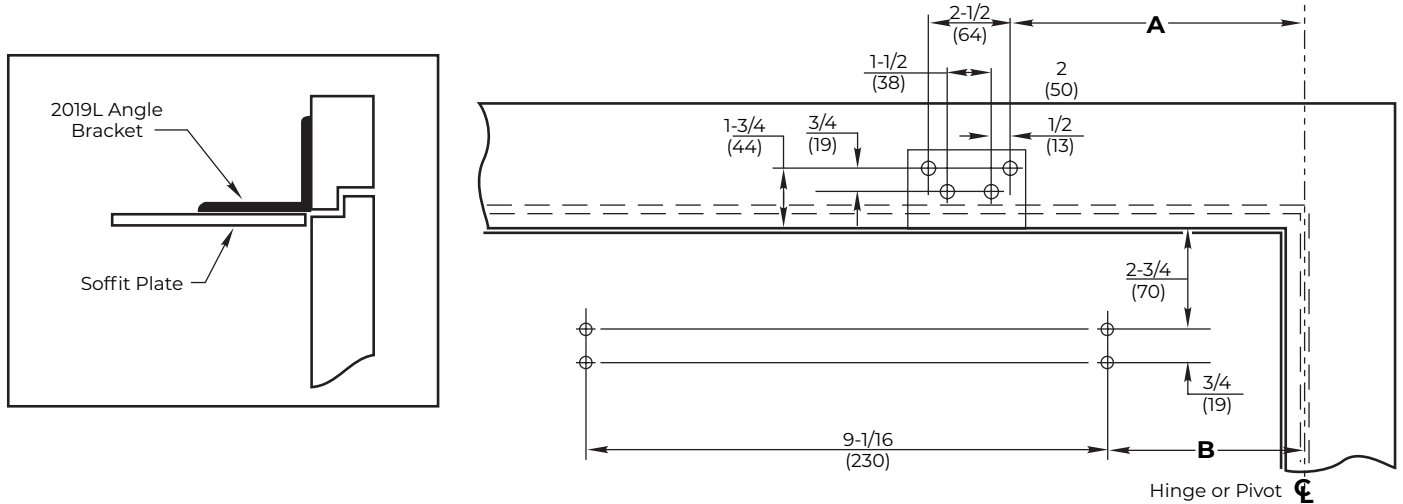
Narrow Frame with 1688 Drop Plate Applications (Right Hand Shown)



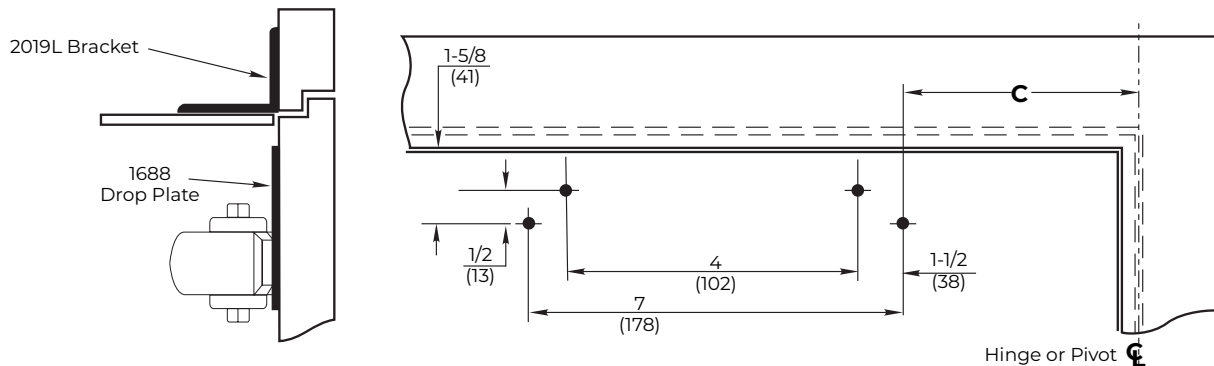
		Narrow Frame								
		Dim	Up to 85°	85° - 90°	90° - 95°	95° - 100°	100° - 105°	105° - 110°	110° - 130°	130° - 180°
Parallel Rigid Models	A		9-5/8 (244)				8-1/8 (206)		6-1/8 (156)	
	B		7-5/8 (194)				6-1/8 (156)		4-1/8 (105)	
	C		8-5/8 (219)				7-1/8 (181)		5-1/8 (130)	
CloserPlus Models	A	11-1/8 (283)	10-3/8 (264)	9-5/8 (244)	9 (229)	8-3/8 (213)	7-3/4 (197)	-	-	
	B	9-1/8 (232)	8-3/8 (213)	7-5/8 (194)	7 (178)	6-3/8 (162)	5-3/4 (146)	-	-	
	C	10-1/8 (257)	9-3/8 (238)	8-5/8 (219)	8 (203)	7-3/8 (187)	6-3/4 (171)	-	-	

The ASSA ABLOY Group is the global leader in access solutions. Every day we help people feel safe, secure and experience a more open world.

Flush Partition Applications (Right Hand Shown)



Flush Partition with 1688 Drop Plate Applications (Right Hand Shown)



		Flush Partition								
		Dim	Up to 85°	85° - 90°	90° - 95°	95° - 100°	100° - 105°	105° - 110°	110° - 130°	130° - 180°
Parallel Rigid Models	A	9-3/4 (248)				8-1/4 (210)			6-1/4 (159)	
	B	7-5/8 (194)				6-1/8 (156)			4-1/8 (105)	
	C	8-5/8 (219)				7-1/8 (181)			5-1/8 (130)	
CloserPlus Models	A	11-1/4 (286)	10-1/2 (267)	9-3/4 (248)	9-1/8 (232)	8-1/2 (216)	7-7/8 (200)	-	-	
	B	9-1/8 (232)	8-3/8 (213)	7-5/8 (194)	7 (178)	6-3/8 (162)	5-3/4 (146)	-	-	
	C	10-1/8 (257)	9-3/8 (238)	8-5/8 (219)	8 (203)	7-3/8 (187)	6-3/4 (171)	-	-	

Technical Product Support:
 Monroe, NC 28112 USA
 Phone: 877.974.2255 ext: 2
 Techsupport.NortonRixson@assaabloy.com
 NortonRixson.com

Norton Rixson is a brand associated with ASSA ABLOY Accessories and Door Controls Group, Inc., an ASSA ABLOY Group company. Copyright © 2019, 2020, 2022, ASSA ABLOY Accessories and Door Controls Group, Inc. All rights reserved. Reproduction in whole or in part without the express written permission of ASSA ABLOY Accessories and Door Controls Group, Inc. is prohibited.