

Door Opening ★	DIM. A	DIM. B	DIM. C
85°	11-1/8	9-1/8	10-1/8
90°	10-3/8	8-3/8	9-3/8
95°	9-5/8	7-5/8	8-5/8
100°	9	7	8
105°	8-3/8	6-3/8	7-3/8
110°	7-3/4	5-3/4	6-3/4

★ Template dimensions are for hold-open/door stop within ±2° of charted door openings. Doors may overtravel up to 5° beyond the rest position.

Notes:

Do not scale drawing.

Left hand door shown.

Dimensions are in inches.

Hollow-metal doors require channel or box-type reinforcement when thru-bolt mount is specified.

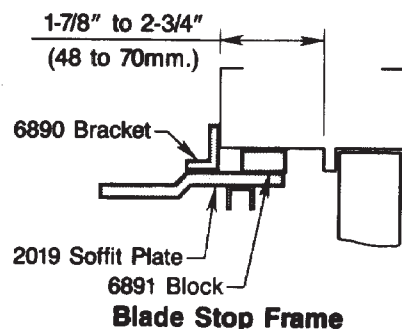
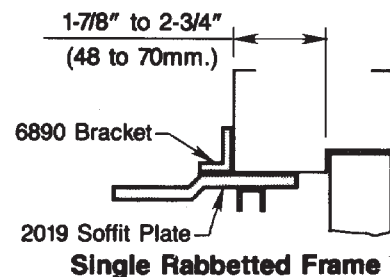
Hold Open Arm door closers are not permitted to be used on fire doors.

Sex-bolts may be required for wood or plastic faced fire-door mounting.

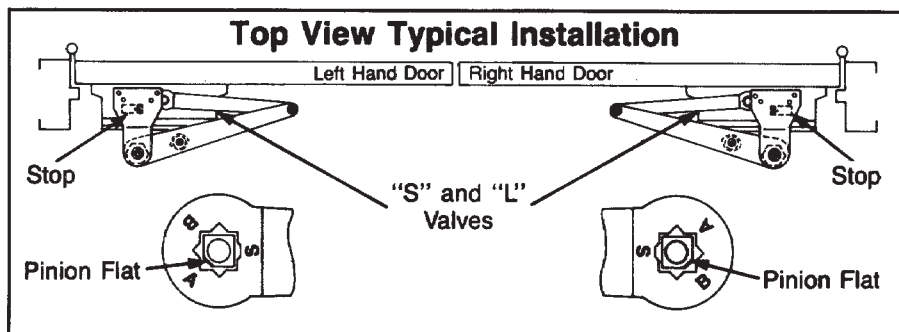
Minimum thickness recommended for reinforcements in hollow-metal doors and frames: .1046" (2.66mm.).

Follow Conversion Chart for metric dimensions.

Maximum width hinges for this template are 5" (127mm)



in.	mm.	in.	mm.	in.	mm.	in.	mm.
3/8	9.5	2	50.8	7-3/8	187	9-1/16	230.2
7/16	11.1	2-3/4	69.9	7-5/8	194	9-1/8	232
1/2	12.7	4	101.4	7-3/4	197	9-3/8	238
3/4	19.1	5-3/4	146	8	203	9-5/8	244
1	25	6-3/8	162	8-3/8	213	10-1/8	257
1-1/4	31.8	6-3/4	171	8-5/8	219	10-3/8	264
1-1/2	38.1	7	177.8	9	229	11-1/8	283
1-5/8	41						



Fastener	Frame	Door	Drill
#14 type "A" sheet metal screw	wood	none	7/32" (5.5mm)
1/4-20 machine screw	metal	none	#7 (.201 dia.) or 5.10mm. drill 1/4"-20 tap
SNB (optional)	none	hollow metal	9/32" (7.00mm.) thru 3/8" (9.50mm.) door face opposite to closer
		aluminum or wood	3/8" (9.50mm.) thru

CLP-1600(BC) Series CloserPlus®
CPS-1600(BC) Series CloserPlus Spring™ Arm
 Parallel Arm Application with 6890 Reinforcing Bracket
 With or Without 6891 Spacer Block and 1688 Drop Plate
 Arm Function - Stop Only or Stop & Hold Open ("T" Suffix)
 Power Sizes 1-6, 3BC, or 4BC



ASSA ABLOY

TEMPLATE NUMBER	REV	DATE
7316-2304	4	12/21