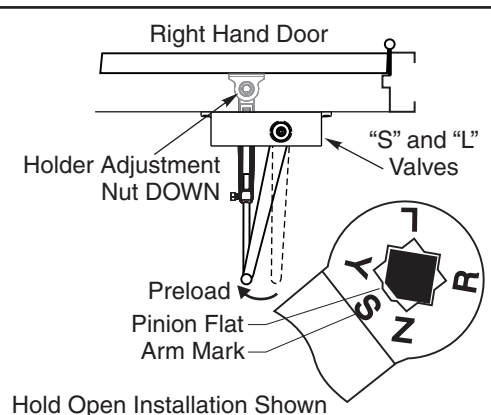
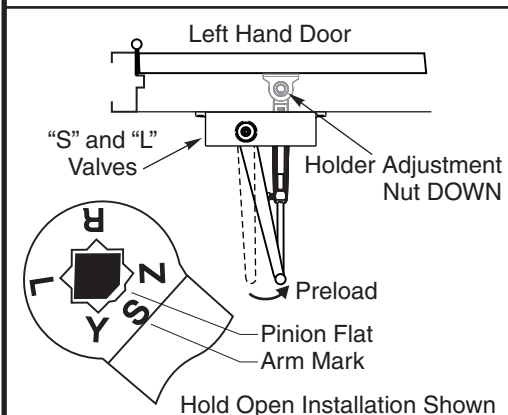


Notes:

1. Do not scale drawing.
2. Left hand door shown.
3. Dimensions given in inches (millimeters).
4. Door swing may be limited by door, frame, wall or hardware conditions.
5. Hollow metal doors require channel or box type reinforcement when thru-bolt mount is specified.
6. Sleeve nuts and bolts may be required for wood or plastic faced fire door mounting.
7. Minimum thickness recommended for reinforcements in hollow metal doors and frames: .1046" (2.66mm) unless otherwise noted.
8. Hold open arm door closers are not permitted to be used on fire doors.

Opening	Dimension "A"	Reveal	Closer Series
To 100°	7-1/2 (191)	0 to 3" (0 to 77)	1600
101° to 120°	6" (152)	2-7/8" to 7" (73 to 178)	J1600
over 120°	3-1/2 (89)	0 to 2-3/4" (0 to 70)	1600H
		2-3/4" to 6-3/4" (70 to 171)	J1600H

Position of Arm and Pinion Flat



Fastener	Door or Frame	Drill
#14 type "A" sheet metal screw	wood	7/32" (5.5mm)
1/4-20 machine screw	metal	#7 (.201 dia.) or 5.10mm. drill 1/4"-20 tap
SNB (optional)	hollow-metal	9/32" (7.00mm.) thru 3/8" (9.50mm.) door face opposite to closer
	aluminum or wood	3/8" (9.50mm.) thru
TBGN (optional)	all	9/32" (7.00mm.) thru 3/8" (9.50mm.) diameter x 3/8" (10mm.) deep, door face opposite to closer

(J)1600 and (J)1600H Series Door Closers
Top Jamb Application
Non Hold Open or Hold Open Arm
Individually Sized Units 3 and 4 & Multi-size Units 1-6



ASSA ABLOY

TEMPLATE NUMBER	REV	DATE
7316-1152	4	01/22