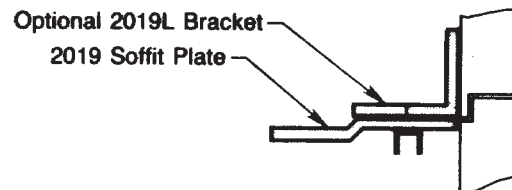
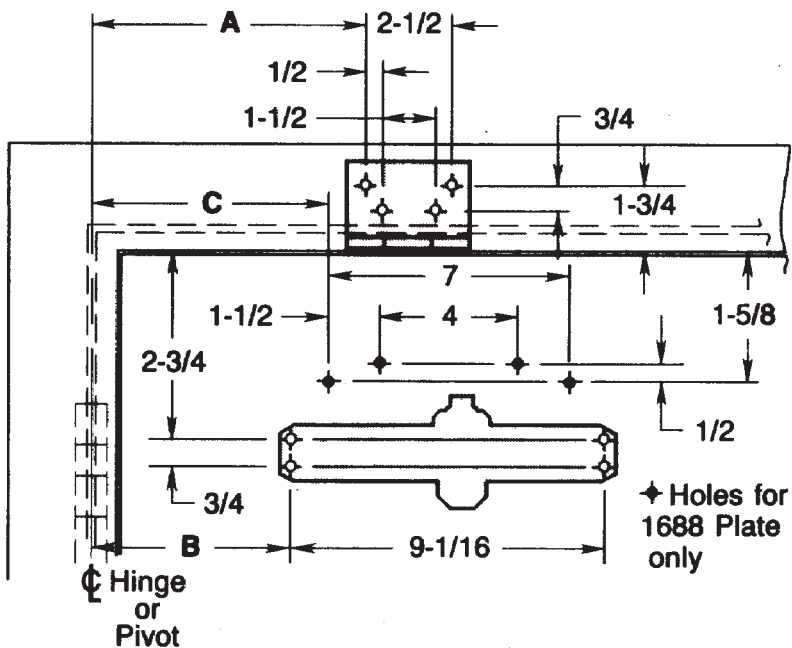


Opening	Dim. A	Dim. B	Dim. C
To 100°	9-3/4	7-5/8	8-5/8
100° to 130°	8-1/4	6-1/8	7-1/8
Over 130°	6-1/4	4-1/8	5-1/8

inches	mm.	inches	mm.	inches	mm.
1/2	12.7	2-3/4	69.9	7-1/8	181
3/4	19.1	4	101.6	7-5/8	194
1-1/2	38.1	4-1/8	105	8-1/4	210
1-5/8	41	5-1/8	130	8-5/8	219
1-3/4	44	6-1/8	156	9-1/16	230.2
2-1/2	63.5	6-1/4	159	9-3/4	248
		7	177.8		



Notes:

- Do not scale drawing.
- Left hand door shown.
- Dimensions are in inches. See conversion chart for metric dimensions.

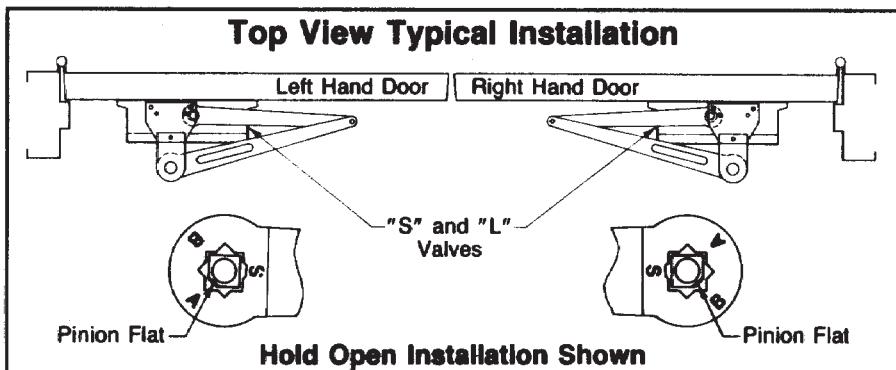
Door swing may be limited by door, frame, wall or hardware conditions.

Hollow-metal doors require channel or box-type reinforcement when thru-bolt mount is specified.

Hold Open Arm door closers without Fusible-link release are not permitted to be used on fire doors.

Sex-bolts may be required for wood or plastic faced fire-door mounting.

Minimum thickness recommended for reinforcements in hollow-metal doors and frames: .1046" (2.66mm.) unless otherwise noted.



Fastener	Frame	Door	Drill
#14 type "A" sheet metal screw	wood	none	7/32" (5.5mm)
1/4-20 machine screw	metal	none	#7 (.201 dia.) or 5.10mm. drill 1/4"20 tap
SNB (optional)	none	hollow metal	9/32" (7.00mm.) thru 3/8" (9.50mm.) door face opposite to closer
		aluminum or wood	3/8" (9.50mm.) thru

Pr1600 or PR1600H Series Door Closers
Parallel Rigid Arm Application With 2019L Flush Transom Bracket and
With or Without 1688 Drop Plate
Non Hold Open or Hold Open Arm
Individually Sized Units 3 and 4 & Multi-size Unit 1-6



ASSA ABLOY

TEMPLATE NUMBER	REV	DATE
7316-1256	4	12/21