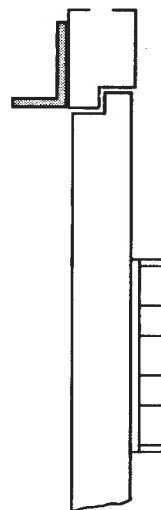
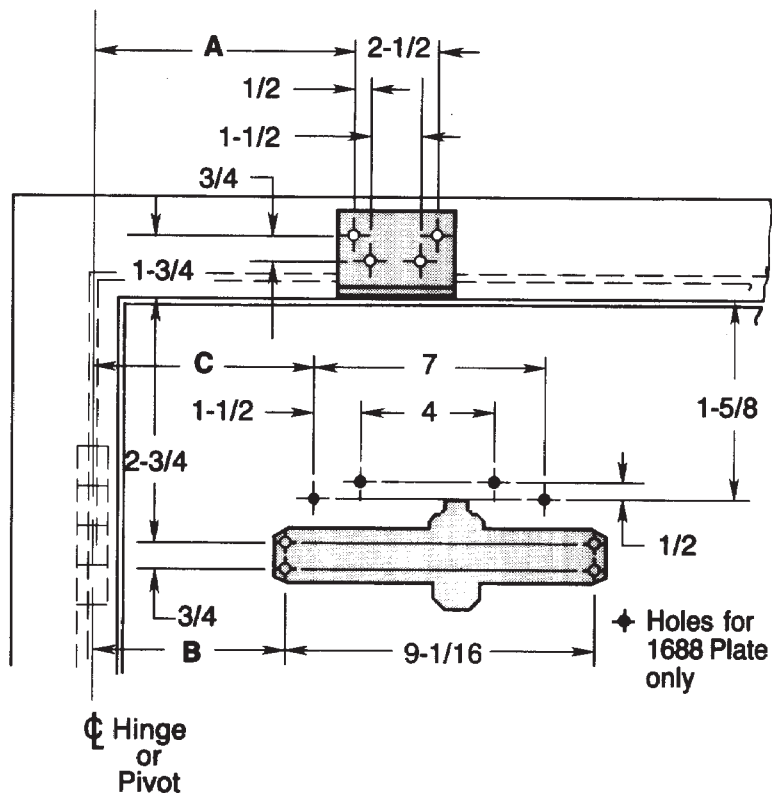


★ Door must be free to swing 5° beyond hold-open position.



Opening		Dim. A	Dim. B	Dim. C
Hold Open ★	Stop			
85°	90°	12-3/4	11	12
90°	95°	12-1/8	10-3/8	11-3/8
95°	100°	11-1/2	9-3/4	10-3/4
100°	105°	11	9-1/4	10-1/4
105°	110°	10-1/2	8-3/4	9-3/4
110°	115°	10-1/8	8-3/8	9-3/8

Notes:

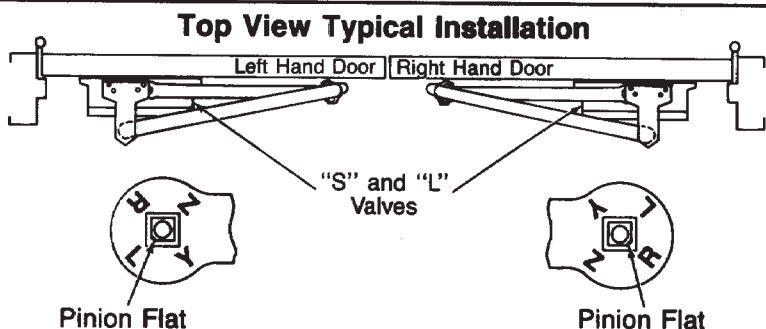
Do not scale drawing.
 Left hand door shown.
 Dimensions are in inches.
 Hollow-metal doors require channel or box-type reinforcement when thru-bolt mount is specified.
 Models with a Hold Open arm suffix are not permitted to be used on fire doors.

Sex bolts may be required for wood or plastic faced fire-door mounting.

Minimum thickness recommended for reinforcements in hollow-metal doors and frames: .1046" (2.66mm).

For metric dimensions follow Conversion Chart.

inches	mm.	inches	mm.	inches	mm.
1/2	13	8-3/8	213	10-1/2	267
3/4	19	8-3/4	222	10-3/4	273
1-1/2	38	9-1/16	230	11	279
1-5/8	41	9-1/4	235	11-3/8	289
1-3/4	44.5	9-3/8	238	11-1/2	292
2-1/2	63.5	9-3/4	248	12	305
2-3/4	70	10-1/8	257	12-1/8	308
4	101.5	10-1/4	260	12-3/4	324
7	178	10-3/8	263.5		



Fastener	Door or Frame	Drill
SNB	hollow-metal	9/32" (7.00mm.) thru 3/8" (9.50mm.) door face opposite to closer
	aluminum or wood	3/8" (9.50mm.) thru

UNI-1600 or UNI-1600H Series Unitrol Door Closers
 Parallel Arm Application for Doors 33" to 41" (0.85-1.0m) Wide
 With 2022 Flush Transom Bracket & With or Without 1688 Drop Plate
 Non Hold Open or Hold Open Arm - All Arms With Spring Cushioned Stop
 Individually Sized Units 3 and 4 & Multi-size Unit 1-6



ASSA ABLOY

TEMPLATE NUMBER	REV	DATE
7316-2361	4	12/21