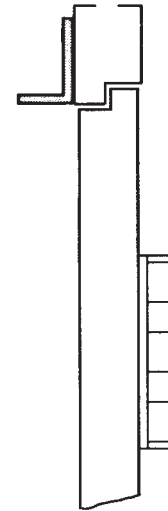
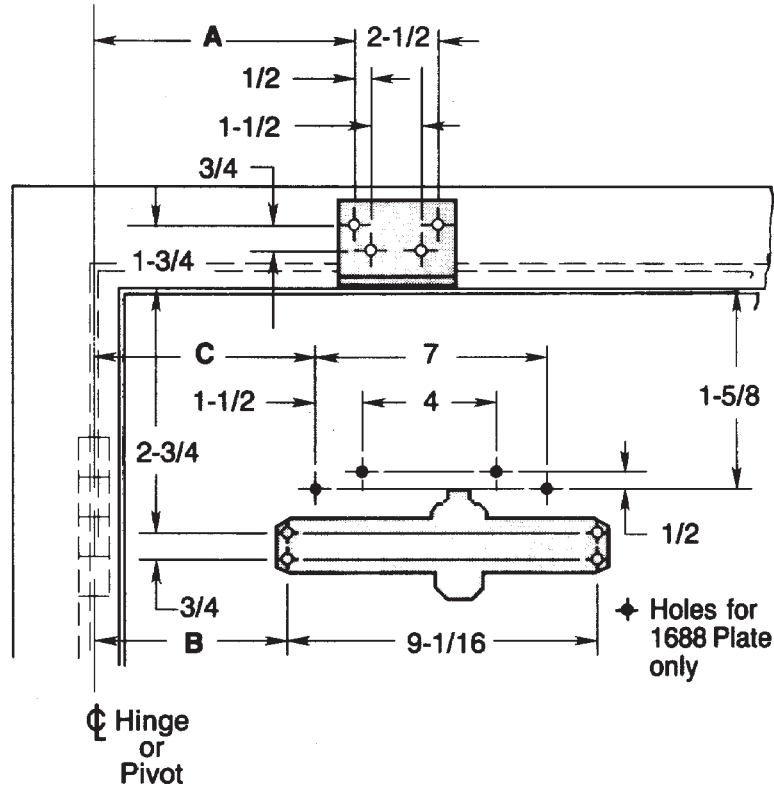


★ Door must be free to swing 5° beyond hold-open position.



Opening		Dim. A	Dim. B	Dim. C
Hold Open ★	Stop			
85°	90°	15-1/8	13-1/4	14-1/4
90°	95°	14-3/8	12-1/2	13-1/2
95°	100°	13-3/4	11-7/8	12-7/8
100°	105°	13-1/8	11-1/4	12-1/4
105°	110°	12-5/8	10-3/4	11-3/4
110°	115°	12-1/8	10-1/4	11-1/4

Notes:

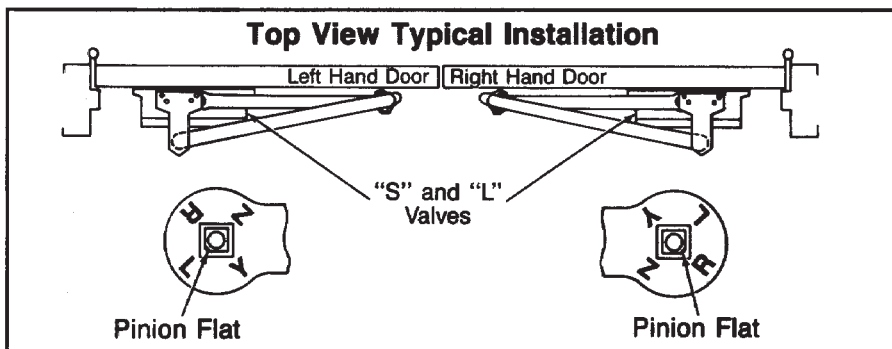
Do not scale drawing.
 Left hand door shown.
 Dimensions are in inches.
 Hollow-metal doors require channel or box-type reinforcement when thru-bolt mount is specified.
 Models with a Hold Open arm suffix are not permitted to be used on fire doors.

Sex bolts may be required for wood or plastic faced fire-door mounting.

Minimum thickness recommended for reinforcements in hollow-metal doors and frames: .1046" (2.66mm).

For metric dimensions follow Conversion Chart.

inches	mm.	inches	mm.	inches	mm.
1/2	13	9-1/16	230	12-7/8	327
3/4	19	10-1/4	260	13-1/8	333
1-1/2	38	10-3/4	273	13-1/4	337
1-5/8	41	11-1/4	286	13-1/2	343
1-3/4	44.5	11-3/4	298	13-3/4	349
2-1/2	63.5	11-7/8	302	14-1/4	362
2-3/4	70	12-1/8	308	14-3/8	365
4	101.5	12-1/2	318	15-1/8	384
7	178	12-5/8	321		



Fastener	Door or Frame	Drill
SNB	hollow-metal	9/32" (7.00mm.) thru 3/8" (9.50mm.) door face opposite to closer
	aluminum or wood	3/8" (9.50mm.) thru

UNI-1600 or UNI-1600H Series Unitrol Door Closers
 Parallel Arm Application for Doors 42" to 48" (1.05-1.20m) Wide
 With 2022 Flush Transom Bracket & With or Without 1688 Drop Plate
 Non Hold Open or Hold Open Arm - All Arms With Spring Cushioned Stop
 Individually Sized Units 3 and 4 & Multi-size Unit 1-6



ASSA ABLOY

TEMPLATE NUMBER	REV	DATE
7316-2362	4	12/21