

Opening		Dim. A	inches	mm.	inches	mm.
Hold Open ★	Stop					
85°	90°	9-1/8	1/2	13	6-3/4	171.5
90°	95°	8-3/8	3/4	19	7-3/8	187
95°	100°	7-3/4	2	51	7-3/4	196.5
100°	105°	7-3/8	3-3/4	95	8-3/8	212.5
105°	110°	6-3/4	4-1/8	104.5	9-1/16	230
110°	115°	6-1/2	6-1/2	165	9-1/8	232

★ Door must be free to swing 5° beyond hold-open position.

**Notes:**

Do not scale drawing.  
 Left hand door shown.  
 Dimensions are in inches.  
 See conversion chart for metric dimensions.

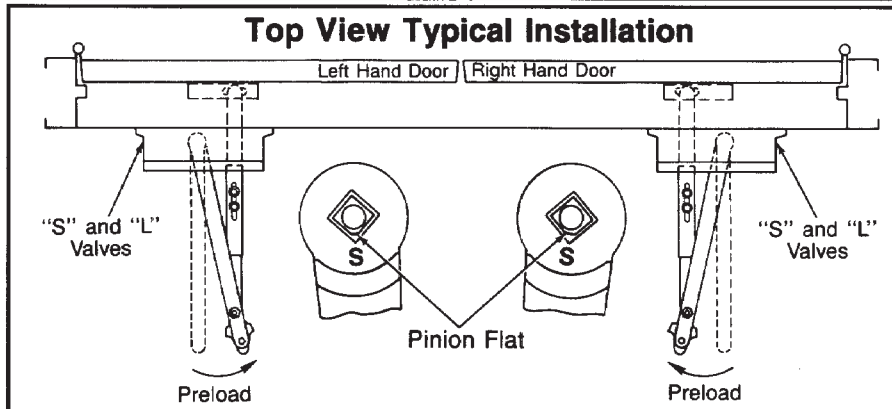
Door swing may be limited by door, frame, wall or hardware conditions.

Hollow-metal doors require channel or box-type reinforcement when thru-bolt mount is specified.

Models with a Hold Open arm suffix are not permitted to be used on fire doors.

Sex-bolts may be required for wood or plastic faced fire-door mounting.

Minimum thickness recommended for reinforcements in hollow-metal doors and frames: .1046" (2.66mm).



Fastener	Frame	Door	Drill
1/4-20 machine screw	metal	none	#7 (.201) or 5.10mm. drill. . . 1/4-20 tap
#14 type "A" sheet metal screw	wood	none	7/32" (5.5mm)
SNB	none	hollow-metal	9/32" (7.00mm.) thru 3/8" (9.50mm.) door face opposite to closer
		aluminum or wood	3/8" (9.50mm.) thru

**UNI-J1600 or UNI-J1600H Series Unitrol Door Closers  
 Top Jamb Application  
 Non Hold Open or Hold Open Arm - All Arms With Spring Cushioned Stop  
 Individually Sized Units 3 and 4 & Multi-size Unit 1-6**



**ASSA ABLOY**

TEMPLATE NUMBER	REV	DATE
<b>7316-2402</b>	<b>4</b>	<b>12/21</b>