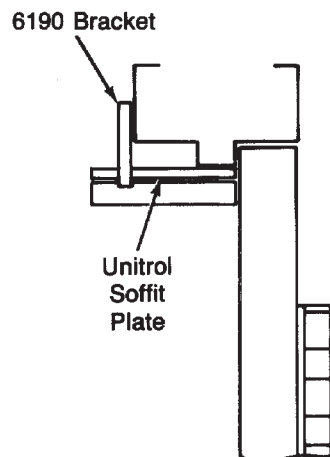


Opening		Dim. A	Dim. B	Dim. C
Hold Open ★	Stop			
85°	90°	12-5/8	11	12
90°	95°	12	10-3/8	11-3/8
95°	100°	11-3/8	9-3/4	10-3/4
100°	105°	10-7/8	9-1/4	10-1/4
105°	110°	10-3/8	8-3/4	9-3/4
110°	115°	10	8-3/8	9-3/8

★ Door must be free to swing 5° beyond hold-open position.



Notes:

Do not scale drawing.

Left hand door shown.

Dimensions are in inches.

Hollow-metal doors require channel or box-type reinforcement when thru-bolt mount is specified.

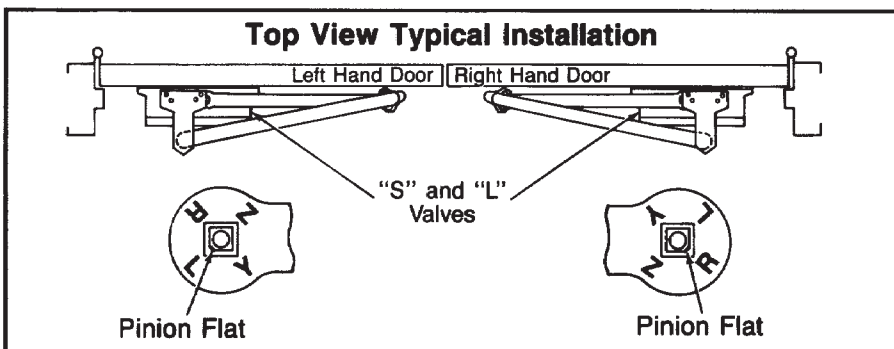
Models with a Hold Open arm suffix are not permitted to be used on fire doors.

Sex bolts may be required for wood or plastic faced fire-door mounting.

Minimum thickness recommended for reinforcements in hollow-metal doors and frames: .1046" (2.66mm).

Follow Conversion Chart for metric dimensions.

inches	mm.	inches	mm.	inches	mm.
		2-3/4	70	10-1/4	260
3/8	9.5	4	101.5	10-3/8	263.5
7/16	11	4-1/2	114	10-3/4	273
1/2	13	7	178	10-7/8	276
3/4	19	8-3/8	212.5	11	279.5
1-1/8	28.5	8-3/4	222	11-3/8	288.5
1-1/4	31.5	9-1/16	230	12	304.5
1-1/2	38	9-1/4	235	12-5/8	320.5
1-5/8	41	9-3/8	238		
1-7/8	47.5	9-3/4	247.5		
2	51	10	254		



Fastener	Frame	Door	Drill
1/4-20 machine screw	metal	none	#7 (.201" dia.) or 5.10mm. drill. . 1/4-20 tap
#14 type "A" sheet metal screw	wood	none	7/32" (5.5mm)
SNB	none	hollow-metal	9/32" (7.00mm.) thru 3/8" (9.50mm.) door face opposite to closer
		aluminum or wood	3/8" (9.50mm.) thru

UNI-1600 or UNI-1600H Series Unitrol Door Closers
 Parallel Arm Application for Doors 33" to 41" (0.85-1.0m) Wide
 With Standard 6190 Bracket & With or Without 1688 Drop Plate
 Non Hold Open or Hold Open Arm - All Arms With Spring Cushioned Stop
 Individually Sized Units 3 and 4 & Multi-size Unit 1-6



ASSA ABLOY

TEMPLATE NUMBER	REV	DATE
7316-2355	4	12/21