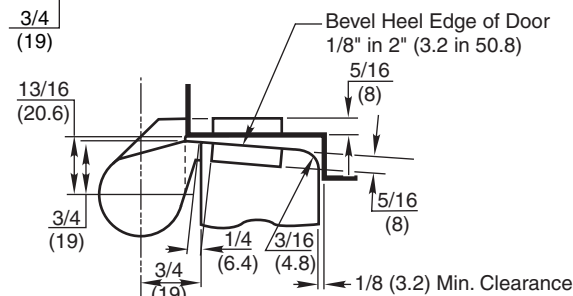
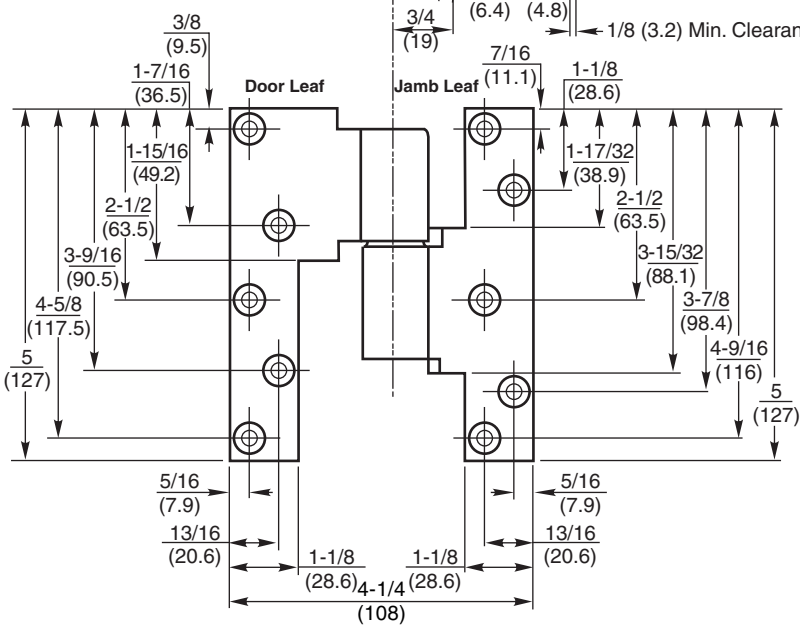


H180 Top Pivot



M-190 Side Jamb Pivot
(Minimum of Two (2) Required)



Notes:

1. Do not scale drawing.
2. Right hand shown.
3. Top and side jamb pivots are drilled for 1/4-20 x 5/8" FHMS or #14 x 1-1/2" FHWS.
4. #165 Top Side Pivot Set consists of one (1) H180 and two (2) M-190 side jamb pivots.
5. Dimensions are given in inches (mm).

165 Pivot Set
3/4" Offset

RIXSON
ASSA ABLOY
www.rixson.com

TEMPLATE	REV	SHEET	DATE
IS-165	2	1 of 1	12-20