

1600 Series

1699 Adapter Plate

For Installation with Models 1601, 1603, or 1604
Installation Instructions

⚠ WARNING

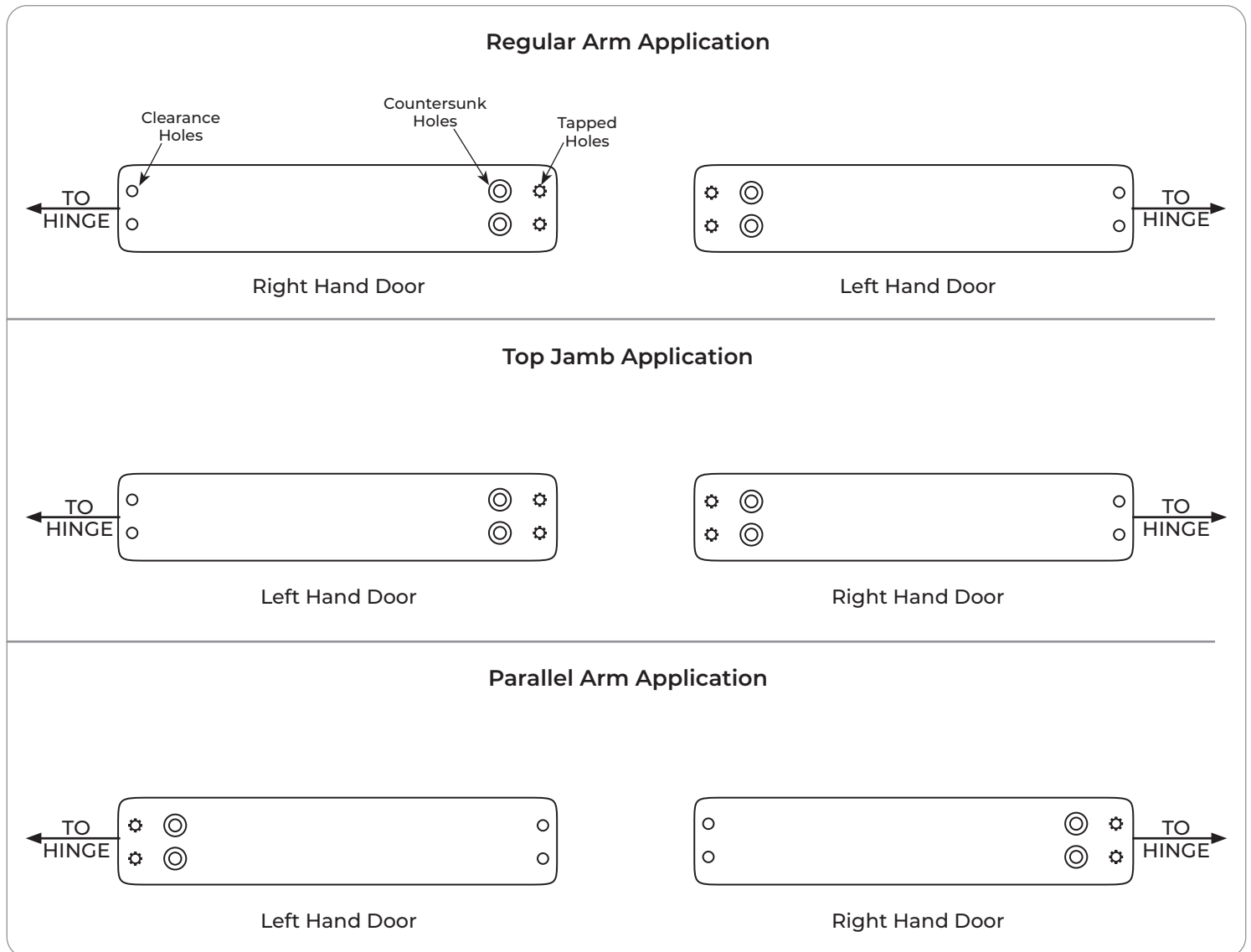
This product can expose you to lead which is known to the state of California to cause cancer and birth defects or other reproductive harm. For more information go to: www.P65warnings.ca.gov.

READ AND FOLLOW ALL INSTRUCTIONS.
SAVE THESE INSTRUCTIONS.

CAUTION

An incorrectly installed or improperly adjusted door closer can cause property damage or personal injury. These instructions should be followed to avoid the possibility of misapplication or misadjustment.

Orientation of the 1699 Adapter Plate is shown below for the three major installation types. Refer to page 2 for Installation information.

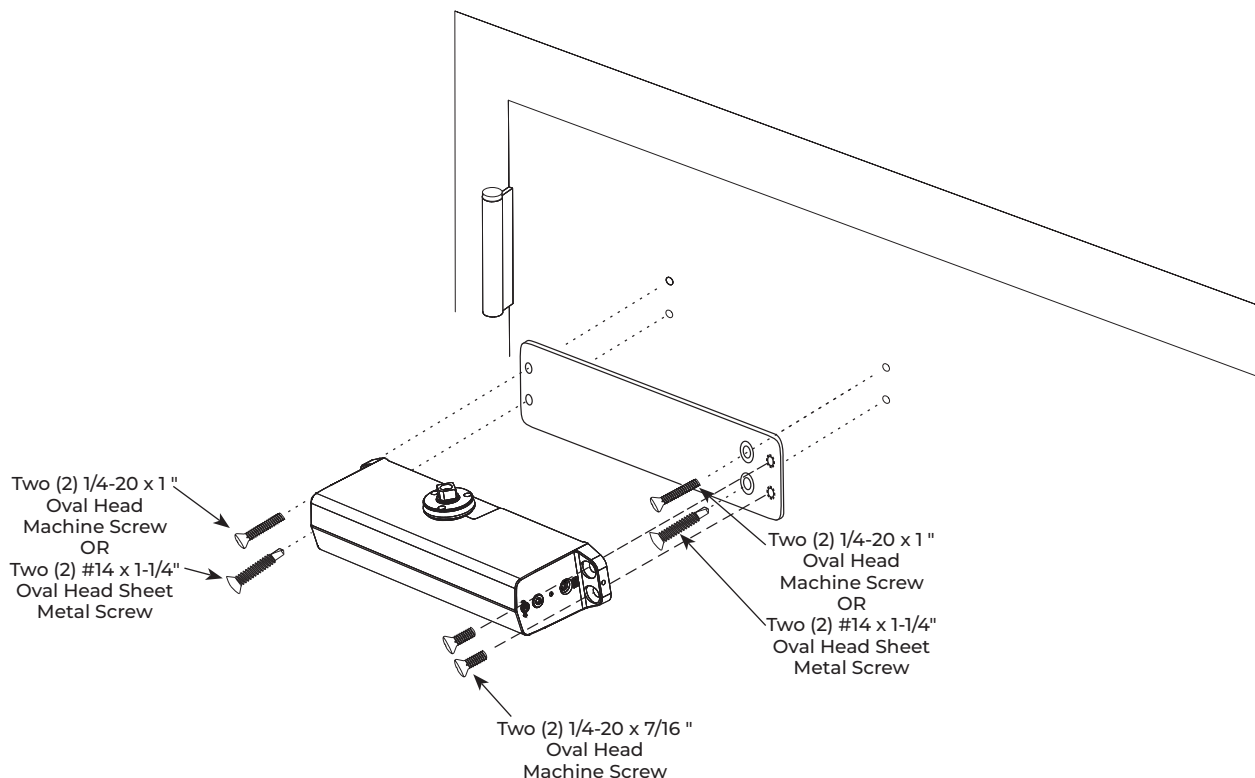


The ASSA ABLOY Group is the global leader in access solutions. Every day we help people feel safe, secure and experience a more open world.

Installation Instructions

Perform the following steps to install the 1699 Adapter Plate and 1600 Series closer. Refer to the figure below for installation layout.

1. Remove the old closer body from the door or frame.
2. Using illustrations on page 1, determine the orientation of the plate on the door or frame.
3. Align the plate so the existing holes on the door or frame align with the COUNTERSUNK and CLEARANCE HOLES.
4. Using two (2) 1/4-20 X 5/8" Flat Head machine screws OR #14 X 1-1/4" Flat head sheet metal screws, fasten the adapter plate to the existing holes that align with the COUNTERSUNK HOLES.
5. Using installation instructions for your new door closer, determine the orientation of the door closer body for this application.
6. Once orientation is determined, align the closer's mounting holes to CLEARANCE and TAPPED HOLES of the 1699 Adapter plate.
7. Use two (2) 1/4-20 X 1" Oval head machine screws OR #14 X 1-1/4" Oval head sheet metal screws to attach the closer to the CLEARANCE HOLES.
8. Use two (2) 1/4-20 X 7/16" Oval head machine screws to attach the closer to the TAPPED HOLES.
9. Continue with setup as indicated in the closer's installation instructions.



Technical Product Support:
Monroe, NC 28112 USA
Phone: 877.974.2255 ext: 2
Techsupport.NortonRixson@assaabloy.com
NortonRixson.com

Norton Rixson is a brand associated with ASSA ABLOY Accessories and Door Controls Group, Inc., an ASSA ABLOY Group company. Copyright © 1993, 2024, ASSA ABLOY Accessories and Door Controls Group, Inc. All rights reserved. Reproduction in whole or in part without the express written permission of ASSA ABLOY Accessories and Door Controls Group, Inc. is prohibited.

Approved 2024-06-21