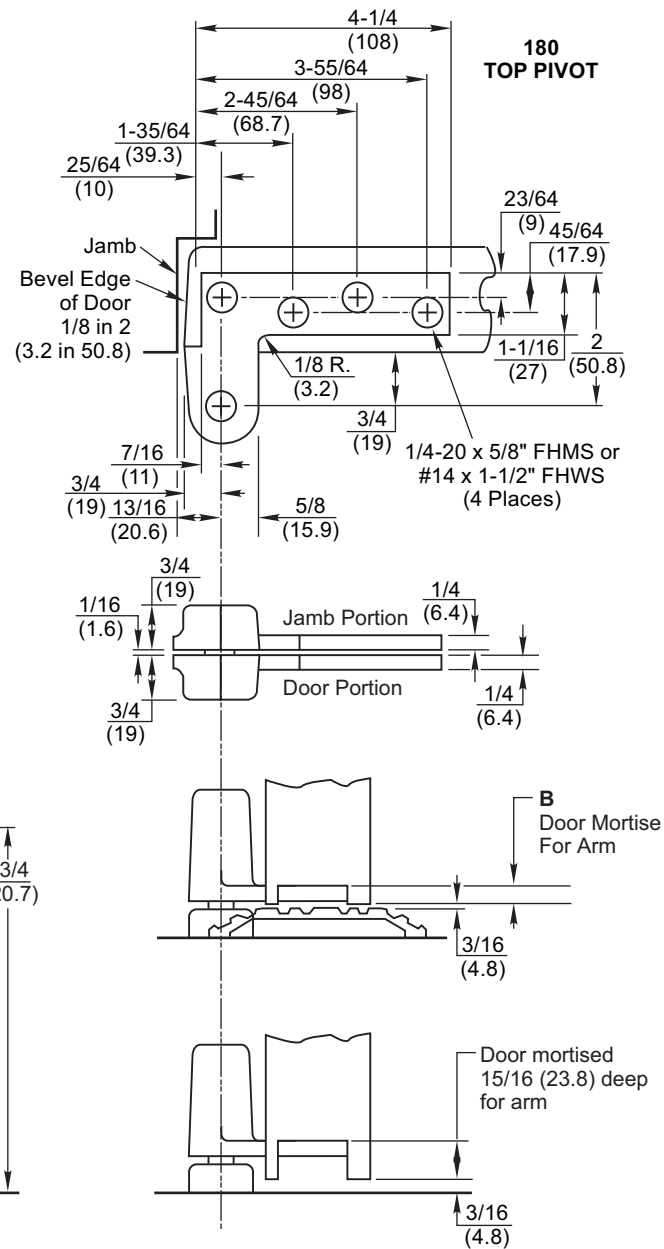
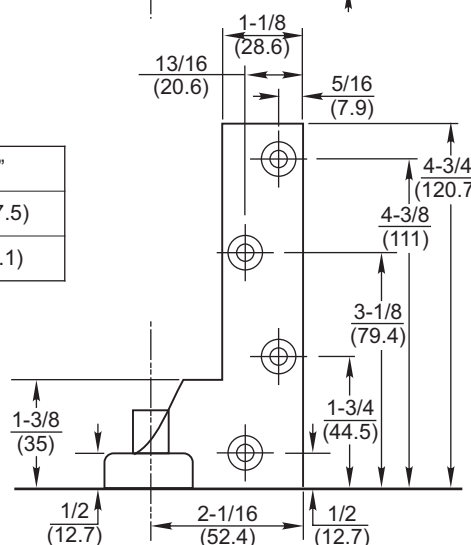
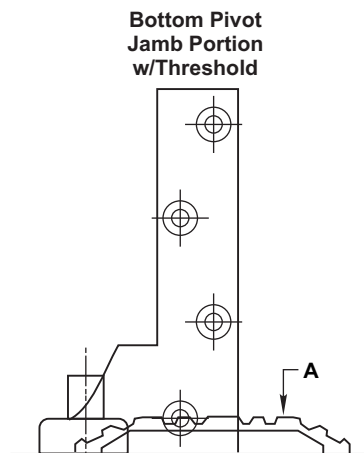
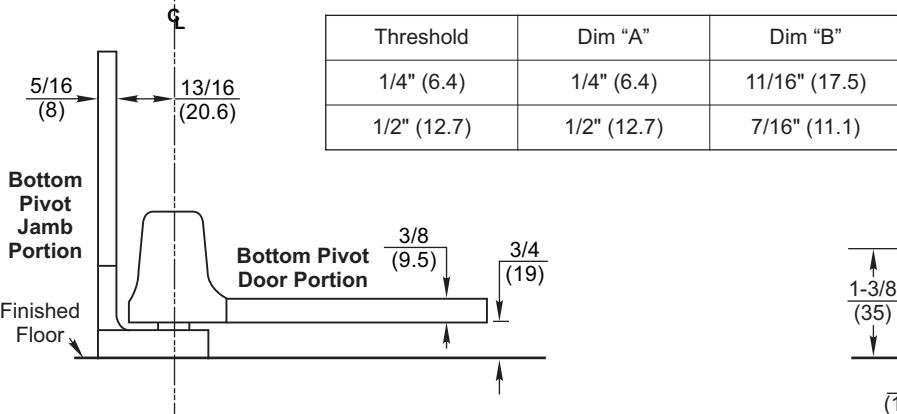
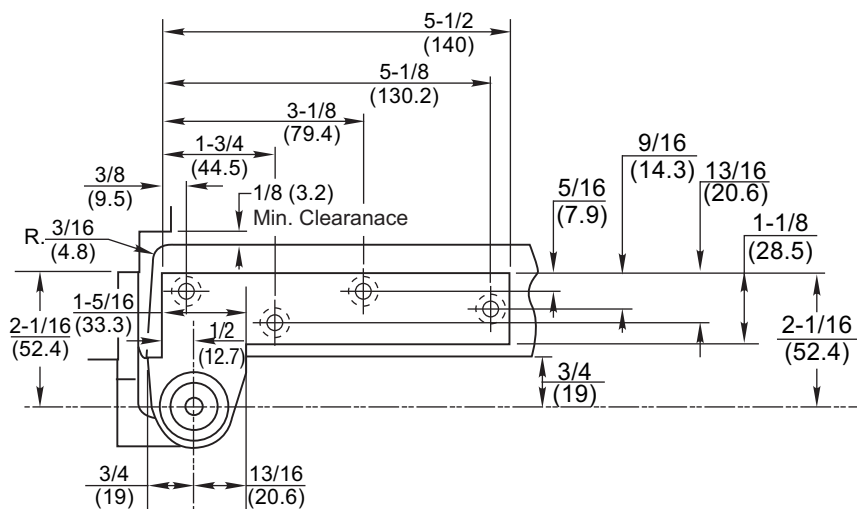


Notes:

1. Do not scale drawing.
2. Right hand shown.
3. Suitable reinforcing by others.
4. Pivots drilled for 1/4-20 x 5/8 FHMS or #14 x 1-1/2 FHWS.
5. When jamb portion is installed on top of threshold allow for threshold height when preparing frame and door mortise depth.
6. All dimensions are in inches (mm).



**195 Pivot Set
 3/4" Offset**



TEMPLATE NUMBER	REV	DATE
PS30500	4	01/22