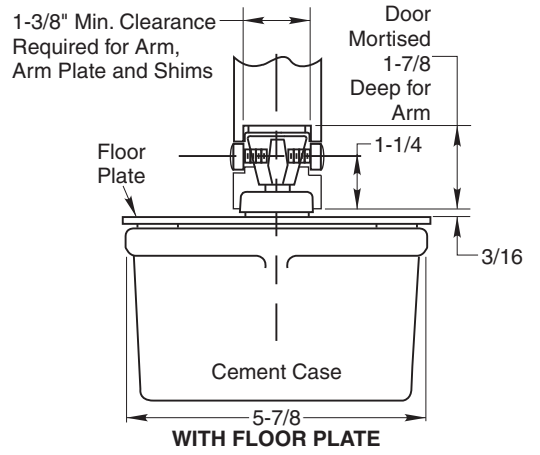
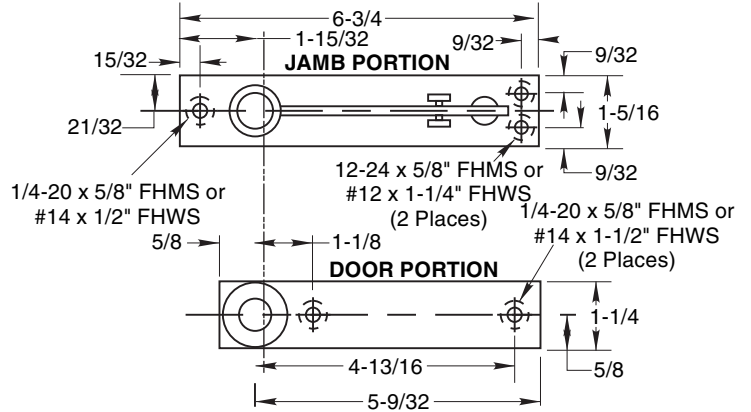
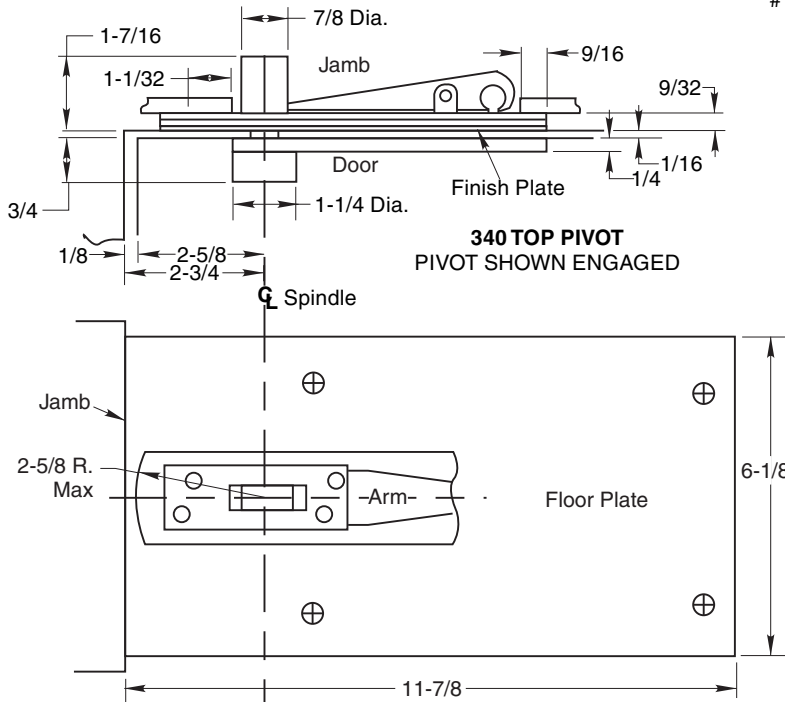


# W28 Floor Closer

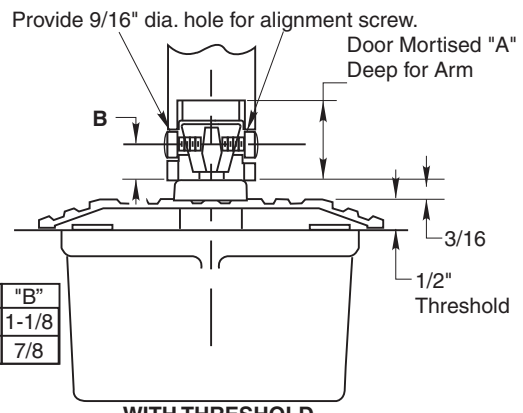
## Center Hung, Single Acting - Handed 340 Top Pivot - Non Handed Installation Instructions

### **! WARNING**

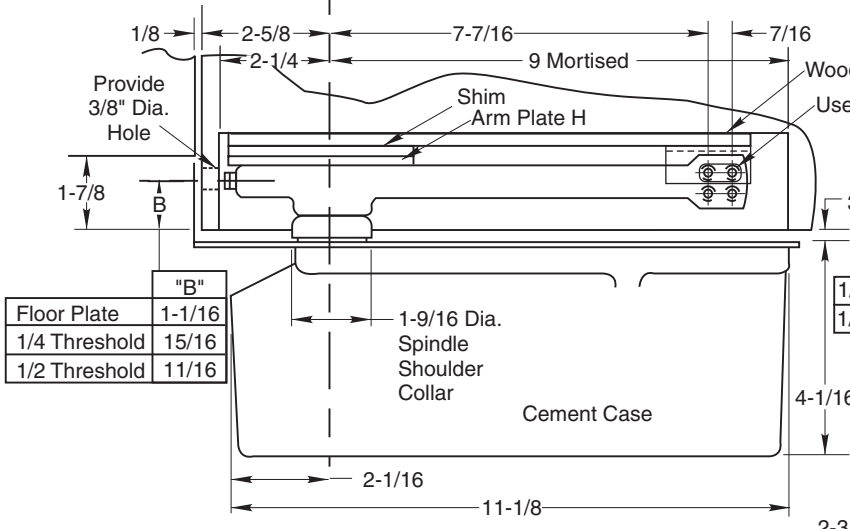
This product can expose you to lead which is known to the state of California to cause cancer and birth defects or other reproductive harm. For more information go to [www.P65warnings.ca.gov](http://www.P65warnings.ca.gov).



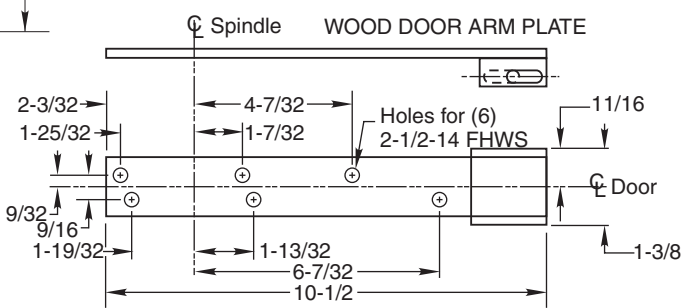
Set Cement Case 1/8" Below Surface of Finished Floor



Set Cement Case Flush with Finished Floor

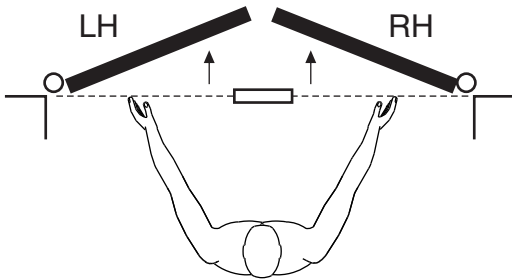


	"A"	"B"
1/4 Threshold	1-3/4	1-1/8
1/2 Threshold	1-1/2	7/8

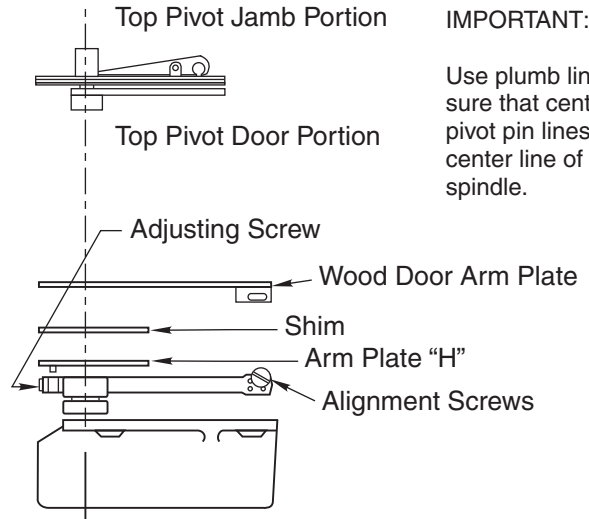


Conversion from inches to metric: inch x 25.4.  
Suitable reinforcing by others.  
Norton Rixson designed threshold available on request.

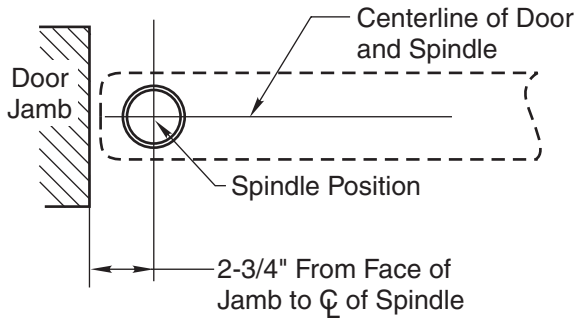
**How To Determine  
Hand of Door**



Face a door swinging open away from you. If it opens to the right, it is right hand. If it opens to the left, it is left hand.

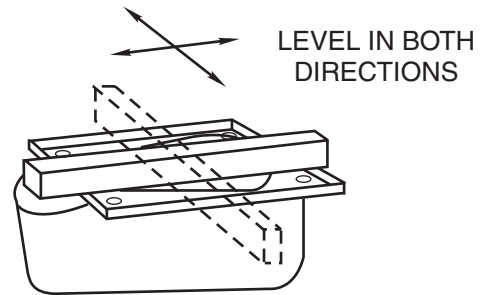


**1. Locating Closer**



A. Measure 2-3/4" out from door jamb on centerline of door. This is the location of the spindle center.

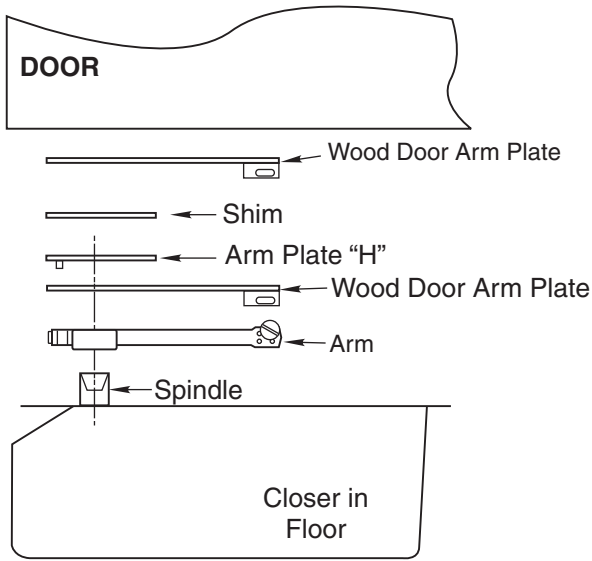
**2. Install Cement Case in Floor**



- A. For floor plate application: Cement case is set 1/8" (3.2mm) below floor level.
- B. For threshold application: Cement case is set flush with floor.
- C. Set cement case in floor and block in position.
- D. Case should be parallel with center line of door.
- E. CEMENT CASE SHOULD BE LEVEL. Place levels per Illustration.
- F. Grout in cement case with closer. Cement should not get between closer and case.

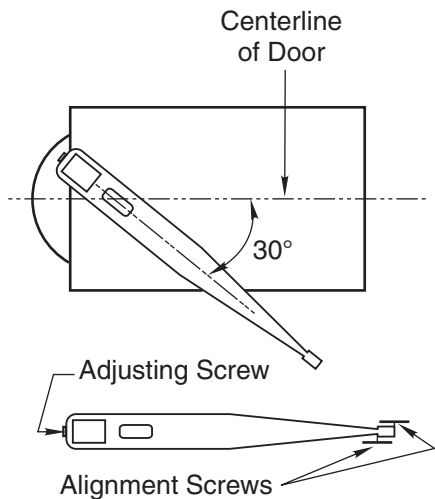
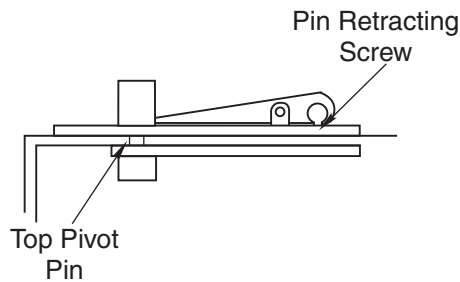
# W28 Floor Closer

## 3. Install Pivot and Closer Arm



- Install top pivot door portion in door per template.
- Install top pivot in jamb per template.
- Centerline of pivot pin should line up with centerline of spindle. Use plumb line to assure accuracy.
- Mortise door for arm, arm plate "H" and wood door arm plate (Refer to template).
- Drill two 9/16" dia. Holes for arm alignment screws. Drill 3/8" hole at heel edge of door for adjusting screw.
- Attach arm to spindle using spindle screw supplied and tighten securely. Install arm plate "H", and shim.

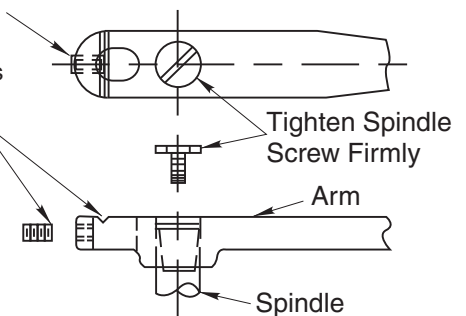
## 4. Hang Door



**CAUTION:** Closer is shipped with valve screws down. **DO NOT FORCE VALVES DOWN.**

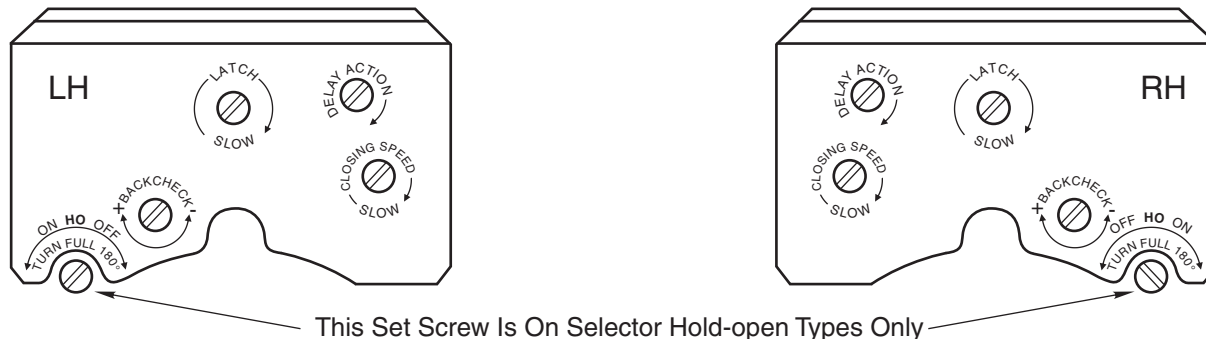
- Retract top pivot pin by turning retracting pin screw counterclockwise. (see illustration)
- With arm on spindle, turn until arm is in 30° open position. (see illustration)
- Set door on spindle arm. **DO NOT ATTEMPT TO CLOSE DOOR.**
- Line up two portions of top pivot and turn pin retracting screw clockwise.
- Open door to 60° or more and open "closing speed" and "latch" valves by turning screws counterclockwise. Door will then close.
- If necessary, turn adjusting screw at bottom of heel edge of door to equalize side jamb clearances.
- Adjust arm alignment screws equally from each side to center door in doorway.

Tighten adjusting screw to notched "V" line on arm to acquire standard initial location of door. Screw moves door towards and away from jamb to equalize door clearances.



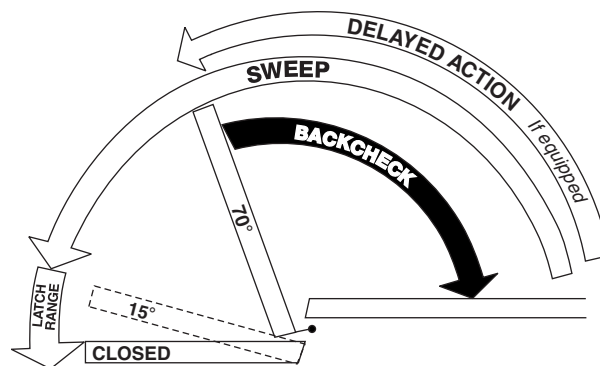
The ASSA ABLOY Group is the global leader in access solutions. Every day we help people feel safe, secure and experience a more open world.

## Closer Adjustment



Closing speeds can be adjusted to suit local conditions and requirements. Label on closer face designates the purpose of each adjustment screw. Adjustments are for speed control.

- A. The Delay Action valve allows adjustment from full open to 65° closed position. (Optional)
- B. The Closing Speed valve allows adjustment from full open to 15° on units without the Delay Action feature.
- C. The Closing Speed valve allows adjustment from 65° to 15° closed position on closers with Delay Action feature.
- D. Latch valve allows adjustment from 15° to closed position.
- E. Important: Backcheck adjustment must be adjusted to vary resistance from light to firm at 60° of door open. Do not use Backcheck as deadstop. This is an intensity valve not speed control.



## Closer Type

This closer is one of three types as follows:

1. Non hold-open factory set. No hold-open adjustments.
2. Automatic hold-open factory set. No hold-open adjustment.
3. Selective (on-off) hold-open label will indicate position of on-off selector screw. When turned “on”, closer has automatic hold-open: turned “off”, hold-open will not function. Turn full 180°.

## Spring Power Adjustments

This closer can be adjusted for increased or decreased spring power.

These adjustments if required should be done by an authorized repair agency.

Repairs, parts replacement or internal adjustments must be done by a Norton Rixson authorized repair agency. Consult [nortonrixson.com](http://nortonrixson.com) for an authorized repair agency in your area.

Technical Product Support:  
 Monroe, NC 28112 USA  
 Phone: 800.438.1951 ext: 6030  
[Techsupport.NortonRixson@assaabloy.com](mailto:Techsupport.NortonRixson@assaabloy.com)  
[NortonRixson.com](http://NortonRixson.com)