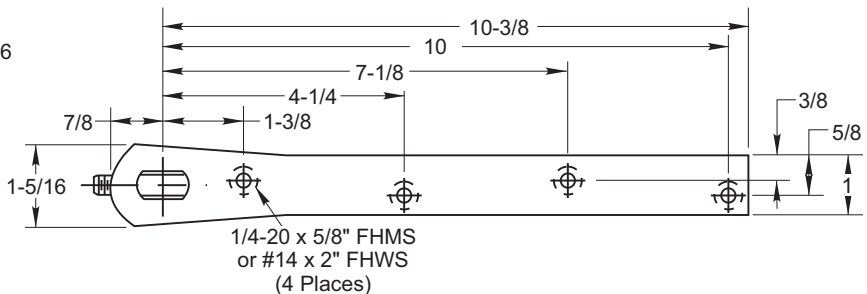
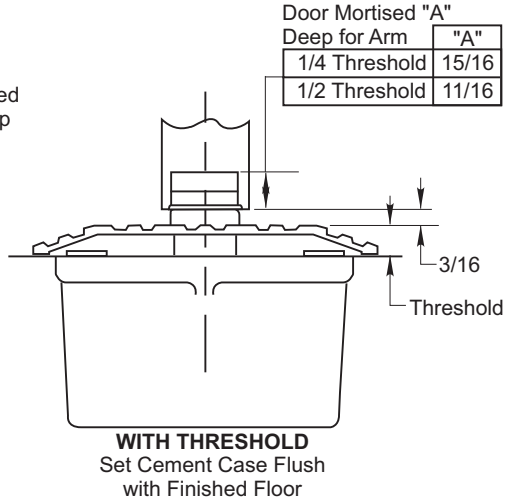
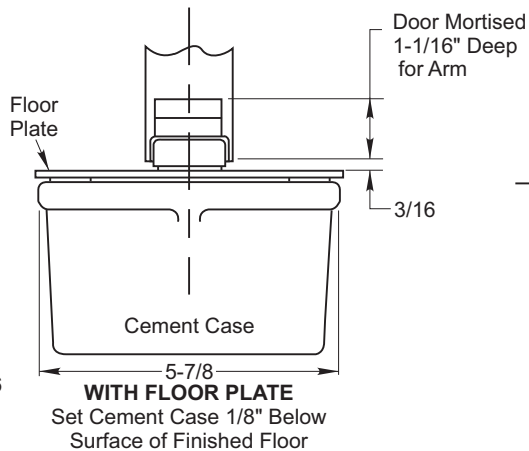
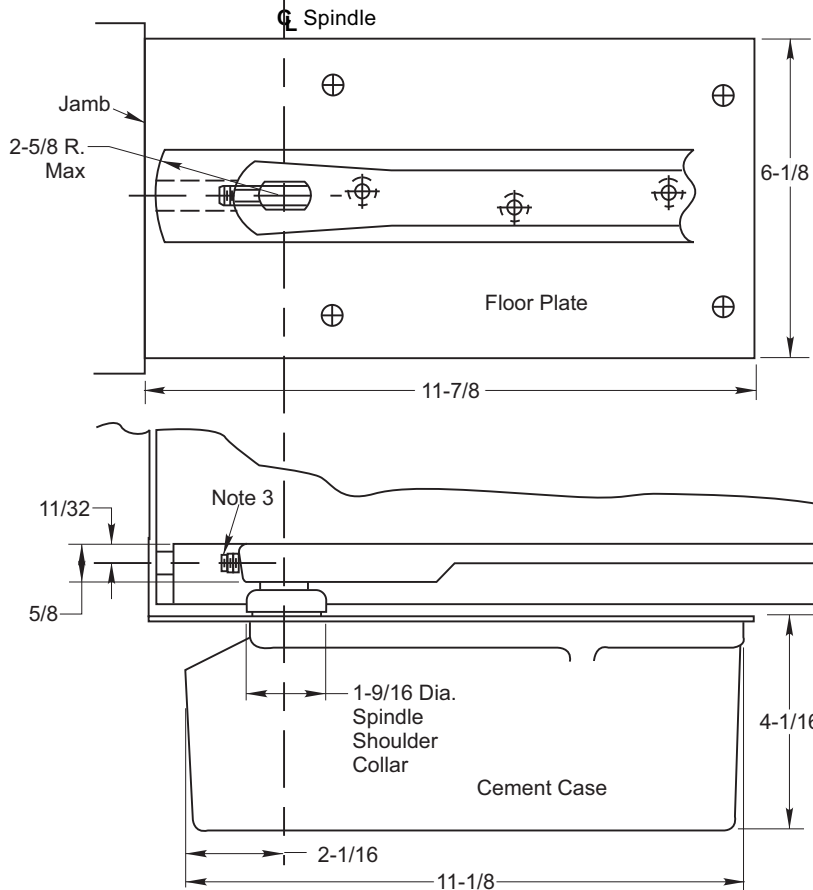


- Notes:**
1. Do not scale drawing.
 2. Suitable reinforcing by others.
 3. After mounting door, lock arm on spindle with 5/16"-18 x 3/4" long hex head socket set screw. Use 5/32" Allen wrench provided to securely lock arm. A 1/2" dia. hole in heel edge of door must be provided for access to set screw.
 4. Norton Rixson design threshold available on request.
 5. All dimensions given in inches.



**Floor Closer
 28 x 554 Arm
 Center Hung
 Single Acting**



TEMPLATE NUMBER	REV	DATE
CH20105	3	12/21