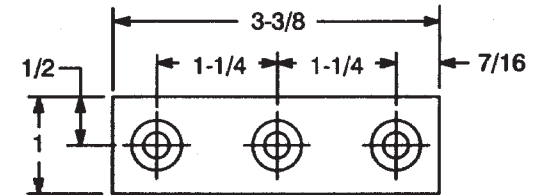
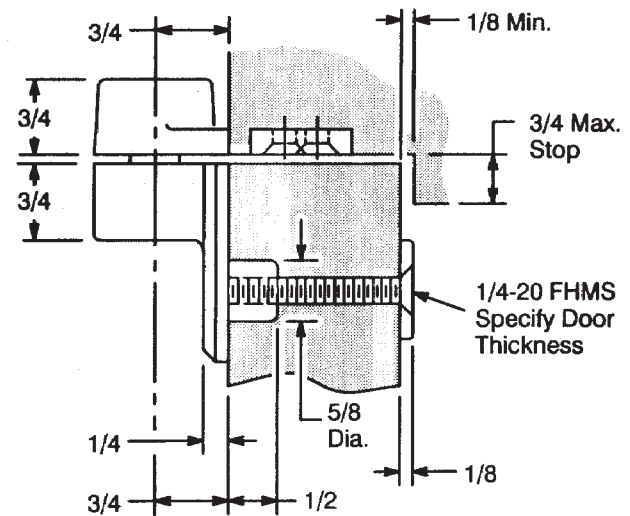


Notes:

1. Do not scale drawing.
2. Right hand shown.
3. All dimensions are in inches.
4. Template drawing for reference only.



BACK PLATE



**280 Top Pivot
 3/4" Offset
 Half Surface**



ASSA ABLOY

TEMPLATE NUMBER	REV	DATE
TP40100	3	01/22