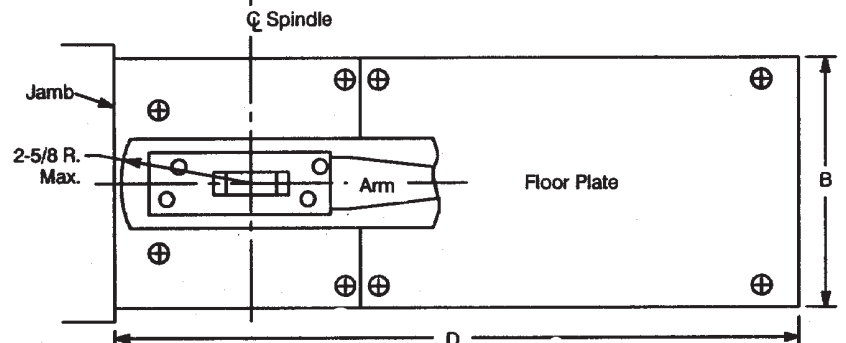
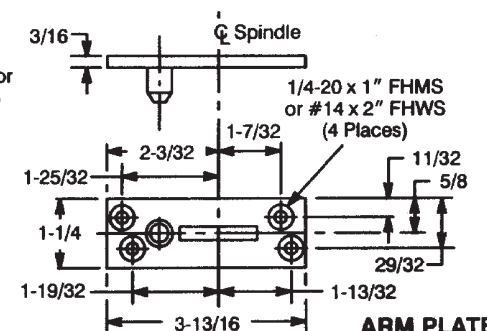
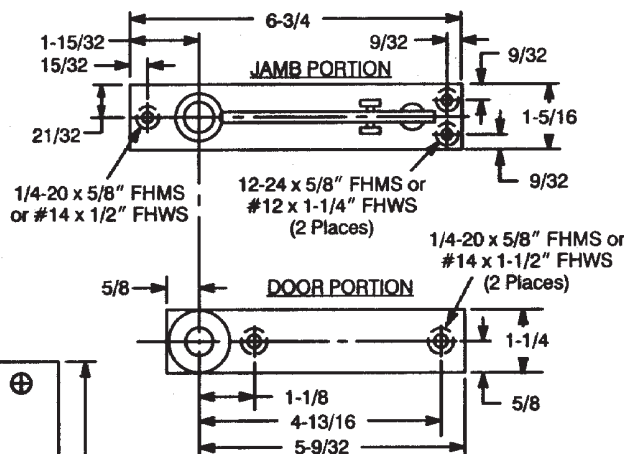
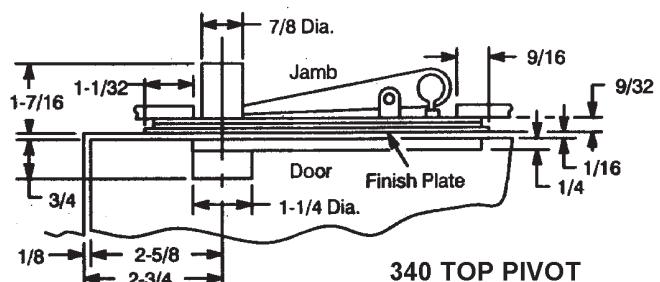


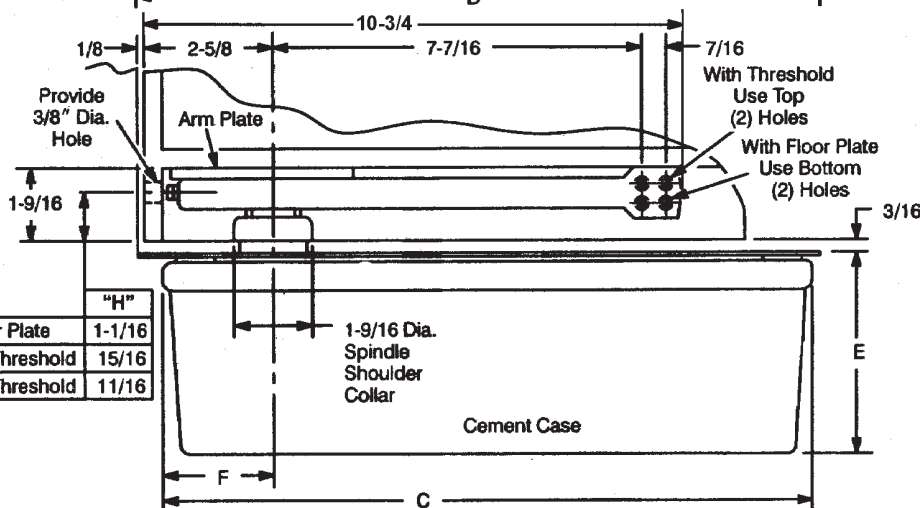
Notes:

1. Do not scale drawing.
2. Suitable reinforcing by others.
3. Norton Rixson design threshold available on request.
4. Provide 5/8" dia. hole for alignment screw.
5. All dimensions given in inches.
6. Auxiliary stop required.

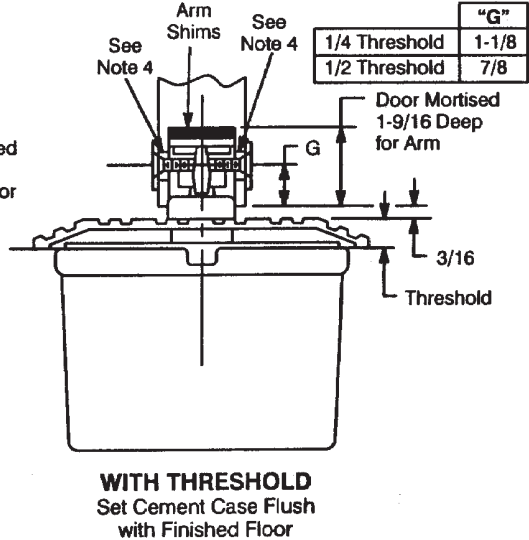
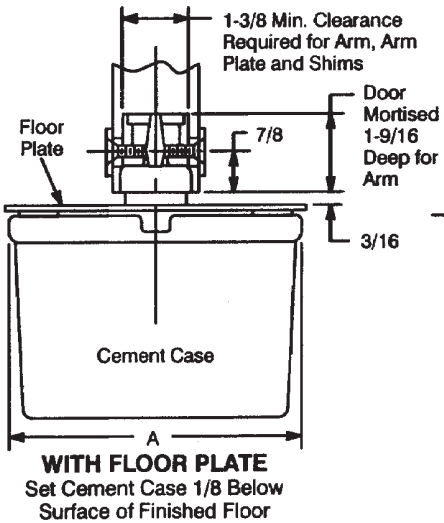


Template covers following 30-40 floor closers:
 30 NHO x 103° Dead Stop
 40 NHO x 103° Dead Stop
 30 x 90° HO x 103° Dead Stop
 40 x 90° HO x 103° Dead Stop
 30 x 100° HO x 103° Dead Stop
 40 x 100° HO x 103° Dead Stop

Closer No.	Dimensions					
	A	B	C	D	E	F
30	5-3/8	5-1/2	14-9/16	15-1/8	3-5/8	2-5/16
40	6-1/16	6-1/8	17	17-1/4	4-1/16	2-9/16



"H"	
Floor Plate	1-1/16
1/4 Threshold	15/16
1/2 Threshold	11/16



30 and 40 Series Floor Closers
 Center Hung
 Double Acting



TEMPLATE NUMBER	REV	DATE
CH20300	3	12/21