

**DIMENSION "A" SHOWN IN THE TABLES ARE FOR 1-3/4" THICK DOORS ONLY--
 CONTACT THE FACTORY FOR DOORS OTHER THAN 1-3/4"**

IMPORTANT

Select Correct Dim. "A" From Tables Shown For Setting Floor Closer

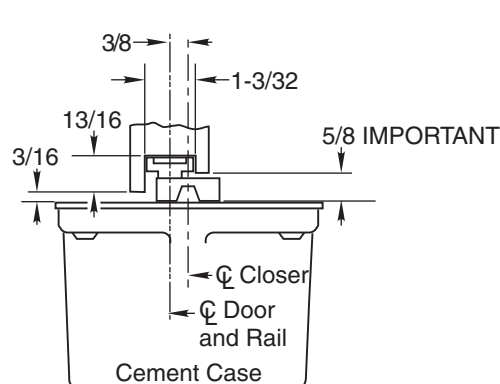
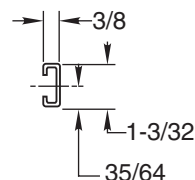
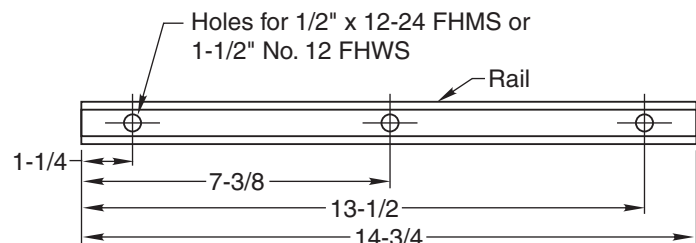
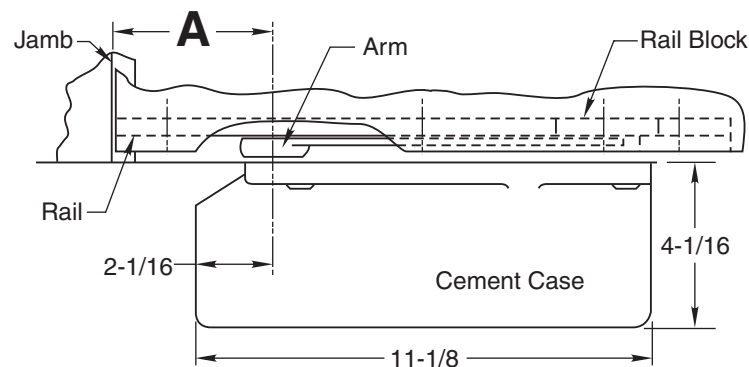
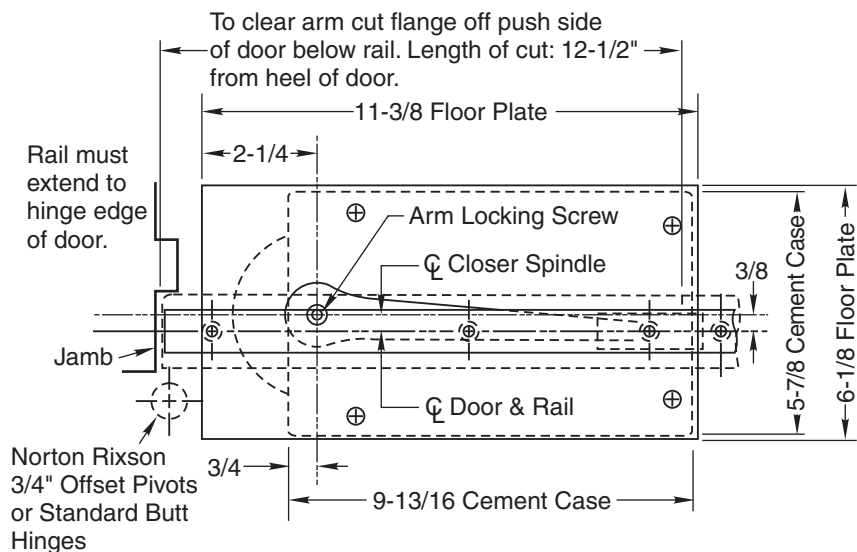
For 90° Door Opening on 1-3/4" Doors
Door Stops and/or Holds Open at 90°

Type Of Hinge	Dim "A"
Norton Rixson M19 Side Jamb Pivots	4-7/16
4-1/2" X 4-1/2" Butt Hinge	3-3/4
4" X 4" Butt Hinge	3-1/2

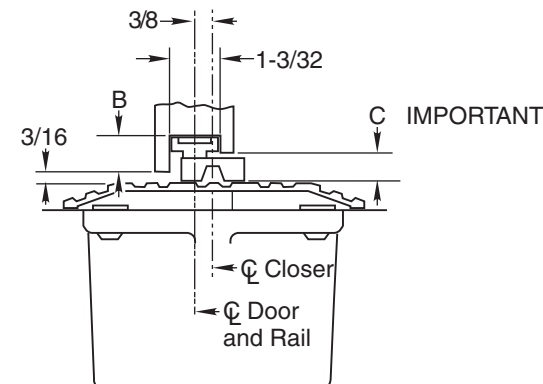
For 95° Door Opening on 1-3/4" Doors
Door Stops and/or Holds Open at 95°

Type Of Hinge	Dim "A"
Norton Rixson M19 Side Jamb Pivots	3-15/16
4-1/2" X 4-1/2" Butt Hinge	3-1/4
4" X 4" Butt Hinge	2-15/16

Optional Heavy Duty Door Stop Required



WITH FLOOR PLATE
 Set Cement Case 1/8" Below Surface of Finished Floor



WITH THRESHOLD
 Set Cement Case Flush with Finished Floor
 Closer must have a 1/2" longer spindle for threshold.

1/4 Threshold	B=1-1/16	C=7/8
1/2 Threshold	B=13/16	C=5/8

NOTE:

- Do not scale.
- Right Hand Shown
- Dimensions given in inches.
 Conversion from inches to metric: inch x 25.4.
- Norton Rixson designed threshold available on request.

327 Independently Hung Floor Closer



ASSA ABLOY

TEMPLATE NUMBER	REV	DATE
OS10400	3	12/21