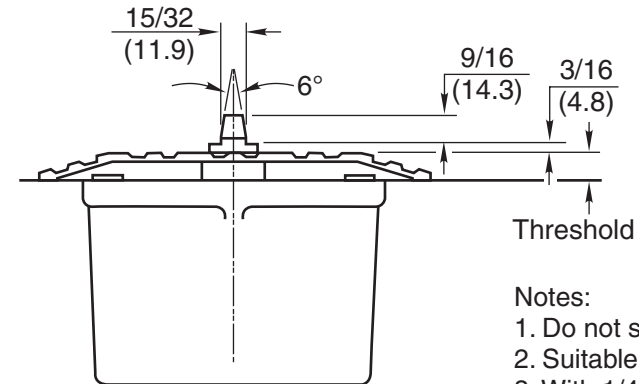
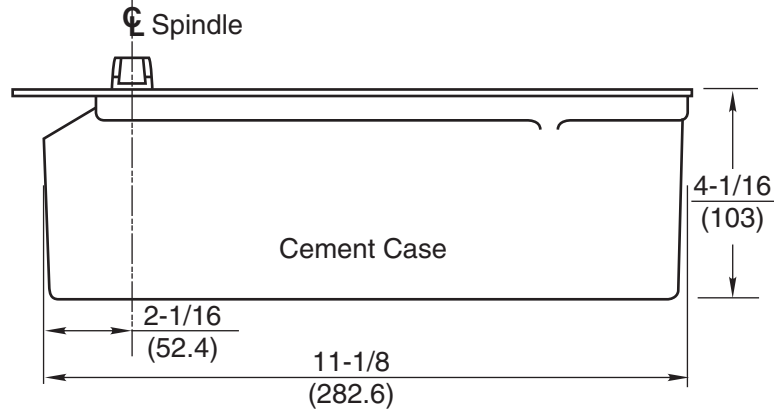


**WITH FLOOR PLATE**  
 Set Cement Case 1/8" Below  
 Surface of Finished Floor



**WITH THRESHOLD**  
 Set Cement Case Flush  
 with Finished Floor  
 (See Note 3)

Notes:

1. Do not scale drawing.
2. Suitable reinforcing by others.
3. With 1/4" threshold order 1/4" longer spindle. With 1/2" threshold order 1/2" longer spindle.
4. For use only on glass doors using patch fittings.
5. All dimensions given in inches (mm).

**328 Floor Closer**  
**Single Acting, Center Hung**  
**For Use on Glass Doors with Patch Fittings**



**ASSA ABLOY**

TEMPLATE NUMBER	REV	DATE
<b>CH20500</b>	<b>3</b>	<b>12/21</b>