

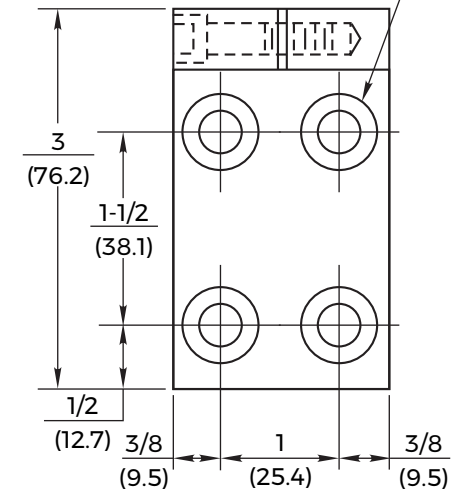
NOTES:

1. Do not scale drawing.
2. Left hand shown.
3. When door is handed, push side of door must indicate whether door is inside or outside.
4. All dimensions are in inches (mm).

Installation Instructions:

- A. Attach angle bracket to frame.
- B. Attach door portion.
- C. Remove cap and pin from angle bracket.
- D. Install door on bottom pivot.
- E. Align top of door and angle bracket.
- F. Insert pin into both pivot pieces.
- G. Affix cap tightly.

5/16-18 x 1-1/4" FHPMS
or #18 x 3" FHPWS
(4 Places)



340 x Angle Pivot 3 Top Pivot



ASSA ABLOY

TEMPLATE NUMBER	REV	DATE
IS-340xAP3	2	05/24