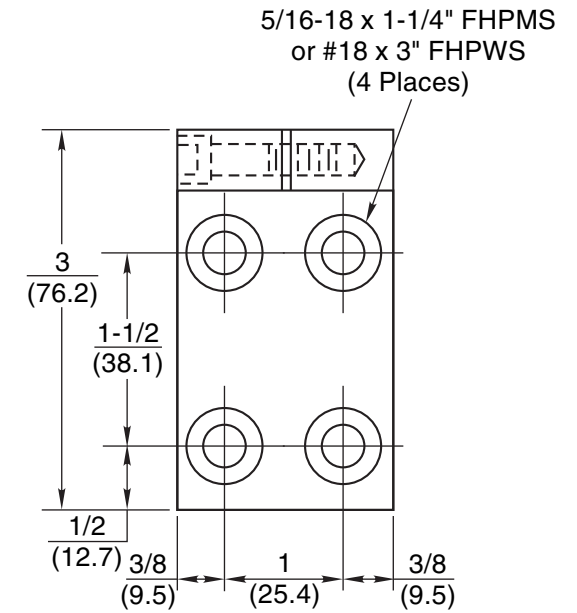
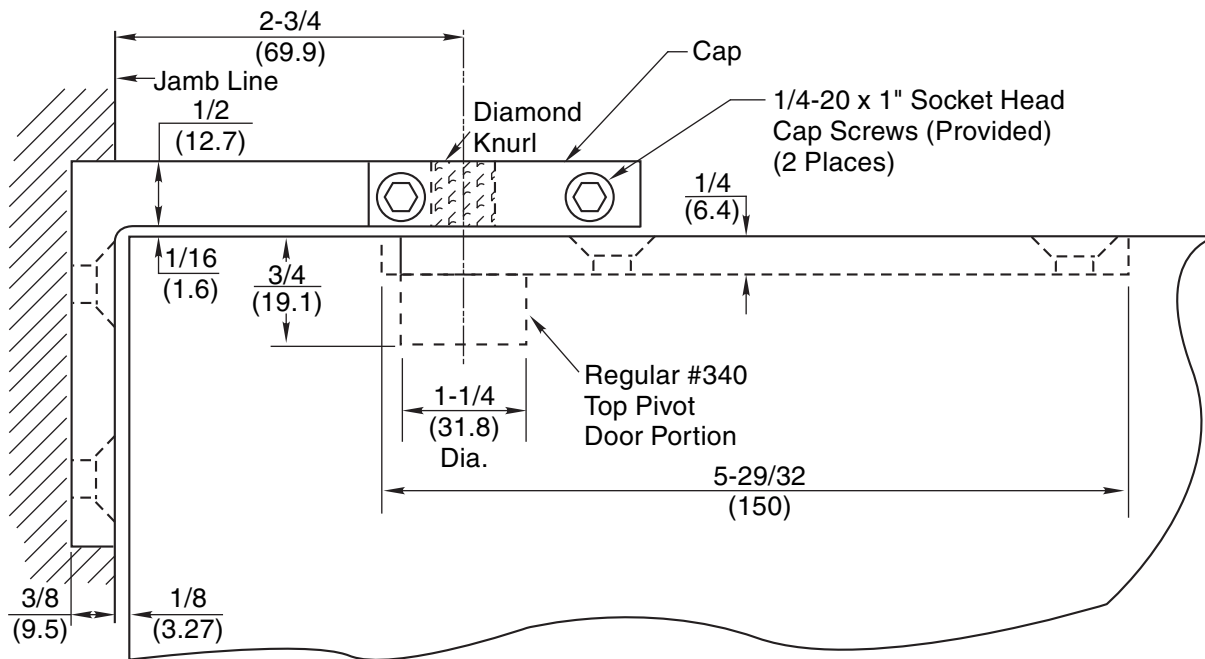


**Notes:**

1. Do not scale drawing.
2. Left hand shown.
3. When door is handed, push side of door must indicate whether door is inside or outside.
4. All dimensions are in inches (mm).



**340 x Angle Pivot 3 Top Pivot**



**ASSA ABLOY**

TEMPLATE NUMBER	REV	DATE
<b>TP40250</b>	<b>4</b>	<b>01/22</b>