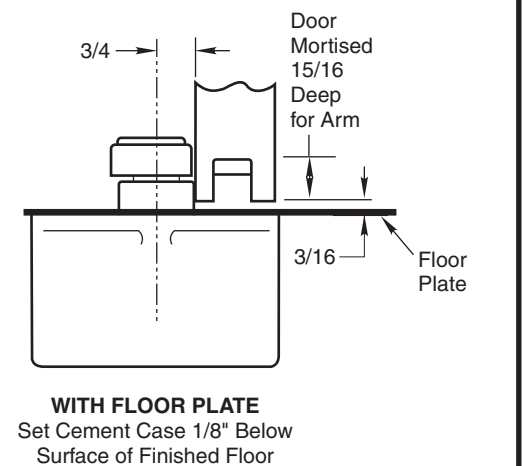
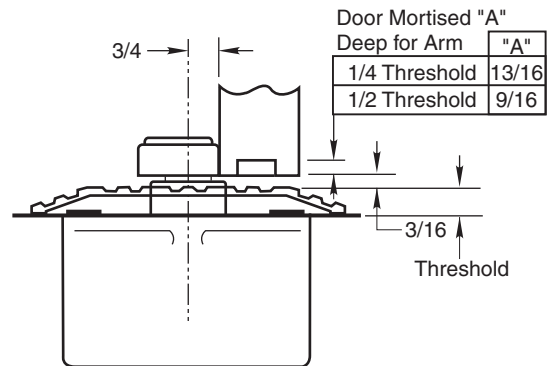
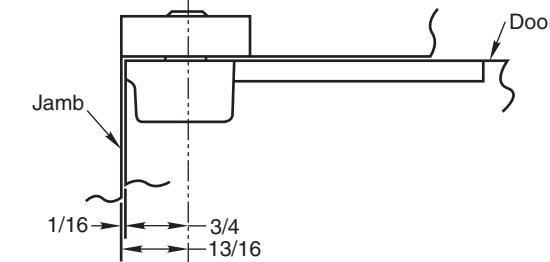
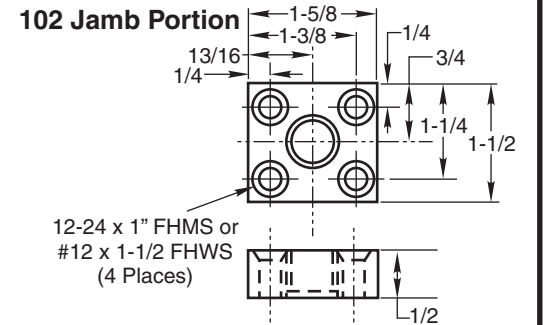
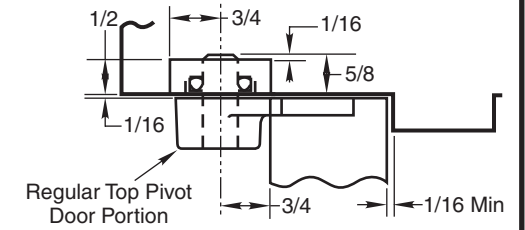
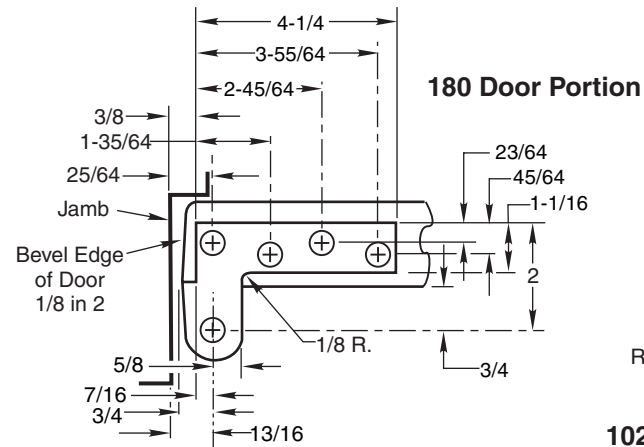
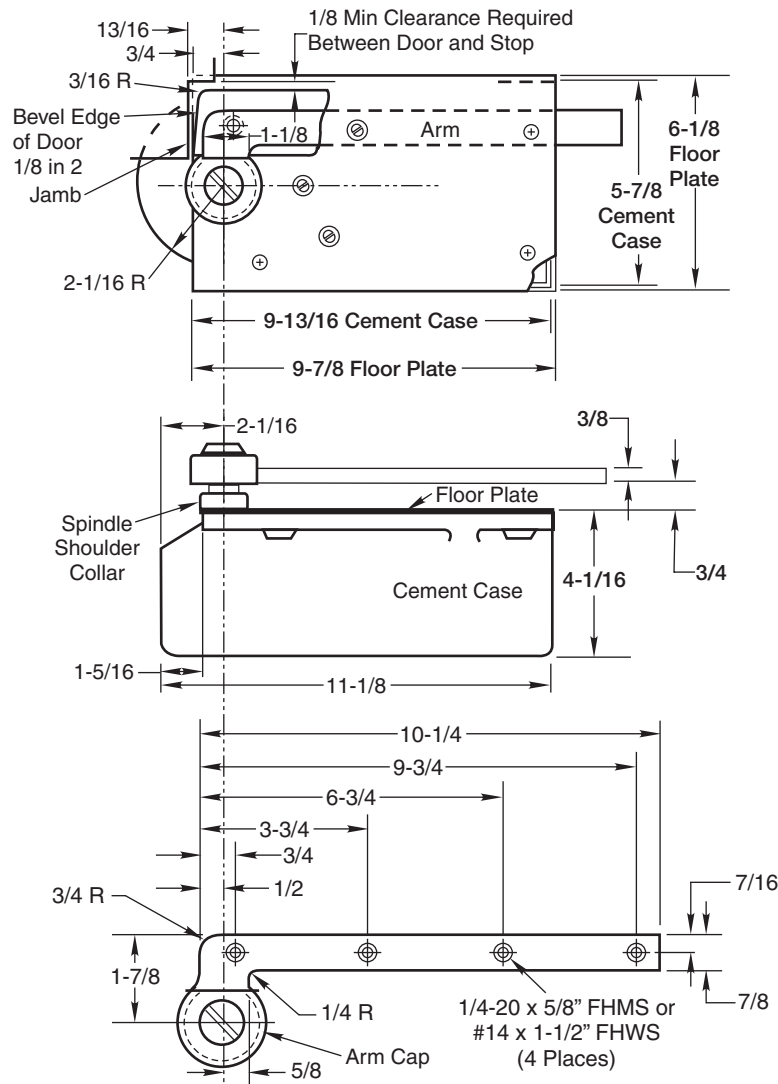


**Notes:**

1. Do not scale drawing.
2. Minimum backset or reveal of door is 1-5/8".
3. All dimensions given in inches.



**427 Floor Closer  
 3/4" Offset for Deep Reveals**



TEMPLATE NUMBER	REV	DATE
<b>OS10450</b>	<b>4</b>	<b>12/21</b>