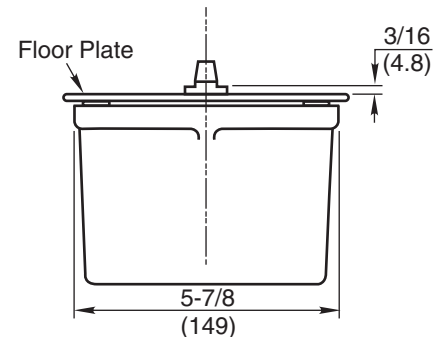
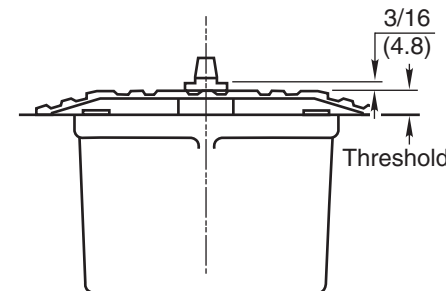


Notes:

1. Do not scale drawing.
2. Suitable reinforcing by others.
3. With 1/4" threshold order 1/4" longer spindle. With 1/2" threshold order 1/2" longer spindle.
4. For use only on glass doors using patch fittings.
5. All dimensions given in inches (mm).



WITH FLOOR PLATE
 Set Cement Case 1/8" Below
 Surface of Finished Floor



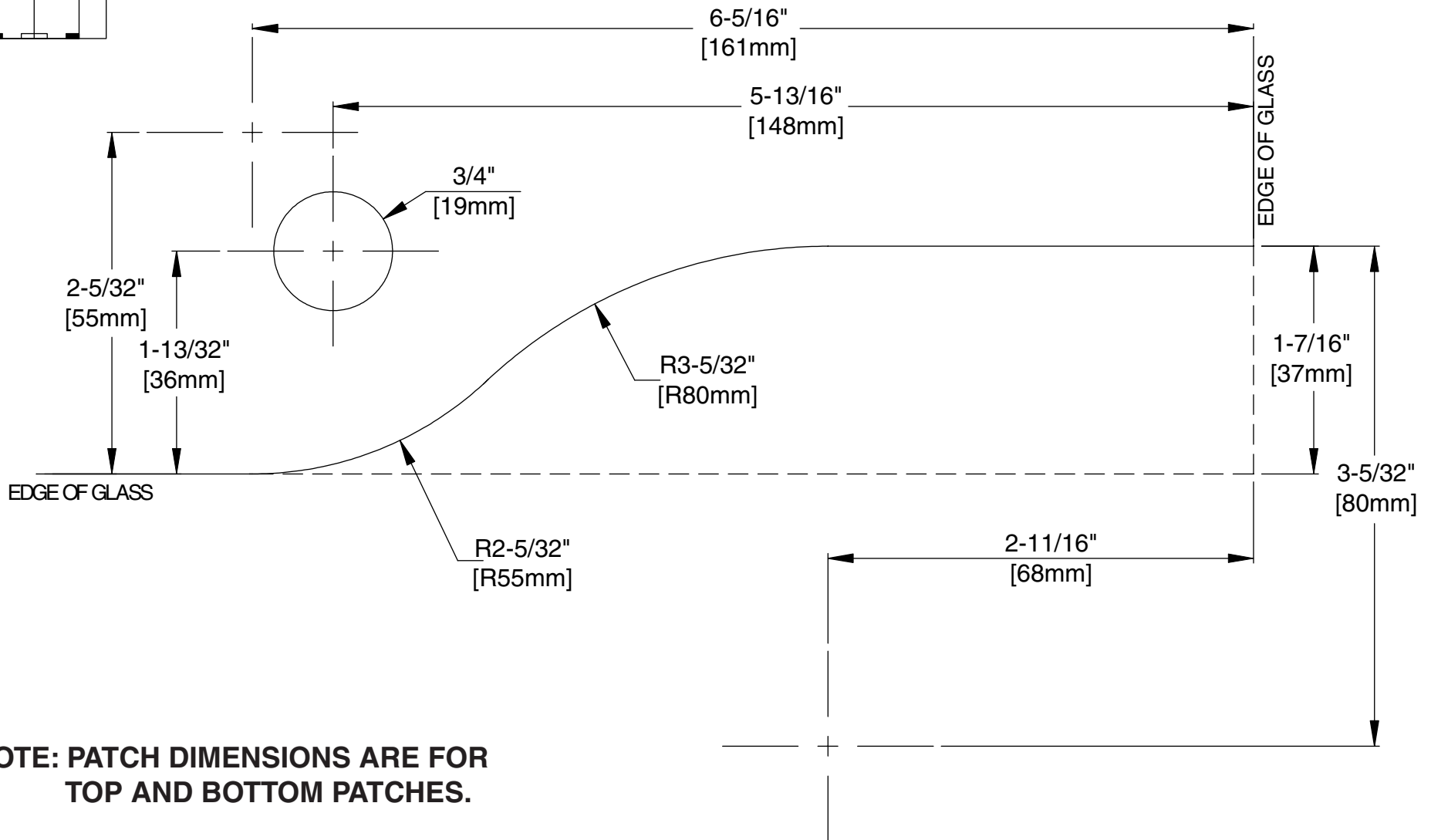
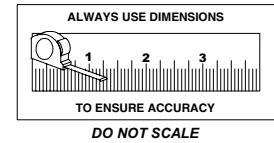
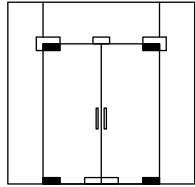
WITH THRESHOLD
 Set Cement Case Flush
 with Finished Floor
 (See Note 3)

428 Floor Closer
Single Acting, Center Hung
Patch Fitting Hung



ASSA ABLOY

TEMPLATE NUMBER	SHEET	REV	DATE
CH20630	1of2	4	12/21



**NOTE: PATCH DIMENSIONS ARE FOR
 TOP AND BOTTOM PATCHES.**

**428 Patch Fitting
 Top and Bottom Patch**



ASSA ABLOY

TEMPLATE NUMBER	SHEET	REV	DATE
CH20630	2of2	4	12/21

Approved 2023-12-15